

6 KP (Kit 165 KP)

6" K2 Power® woofer



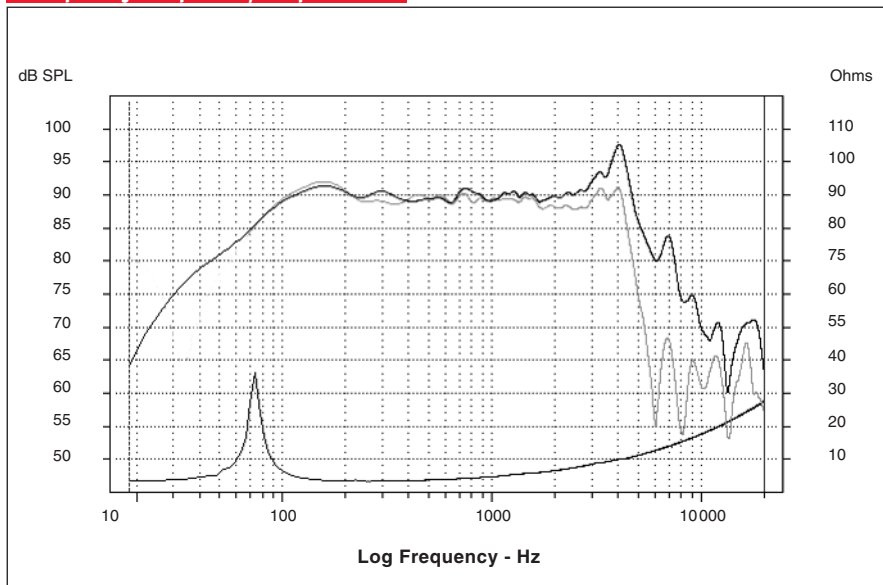
- High power handling
- Zamak basket
- Acoustically transparent dust cap



Specifications

| | | |
|----------------|------------------------|---------------|
| Nominal power | 80 W | |
| Maximum power | 160 W | |
| Sensitivity | 91 dB | |
| Cone | K2 Composite Sandwich® | |
| Surround | Butyl | |
| Nom. impedance | 4 ohms | |
| DC resistance | 3 ohms | |
| VC diameter | 25 mm | 0.98 in |
| VC height | 15 mm | 0.6 in |
| Former | Kapton® | |
| Layers | 2 | |
| Wire | Copper | |
| Inductance | 0.57 mH | |
| Xmax | 5 mm | 0.2 in |
| Magnet d x h | 85 x 15 mm | 3.34 x 0.6 in |
| Magnet weight | 361 g | 0.79 lb |
| Flux density | 1 T | |
| Gap height | 5 mm | 0.2 in |
| Net weight | 1.15 kg | 2.53 lb |

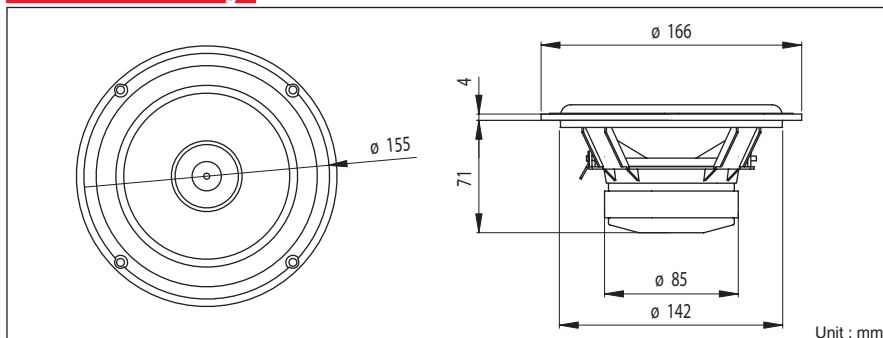
Frequency Response / Impedance



Parameters

| | | |
|-----|----------------------------|-----------------------|
| Fs | 73.05 Hz | |
| Vas | 7.71 l | 0.27 Ft ³ |
| Qts | 0.74 | |
| Qes | 0.81 | |
| Qms | 9.01 | |
| Re | 3 ohms | |
| Sd | 132.73 cm ² | 20.57 in ² |
| Cas | 5.49E-08 m ⁵ /N | |
| Mas | 86.5 kg/m ⁴ | |
| Ras | 4406.64 ohms.ac | |
| Cms | 3.11E-4 m/N | |
| Mms | 15.24 g | 0.033 lb |
| Rms | 776 g/s | |
| Ces | 588.25 mF | |
| Les | 8.07 mH | |
| Res | 33.37 ohms | |
| BI | 5.09 N/A | |
| SPL | 87.53 dB/W/m | |

Mechanical Drawing



©Focal-JMLab - SC030519/1

Suggested application

| Load | V (l) | Fb (Hz) | F-3 (Hz) | Ql |
|--------|-------|---------|----------|----|
| Sealed | 30 | - | 71.6 | 7 |
| Vented | - | - | - | - |
| Sealed | - | - | - | - |

Focal® is a trademark of Focal-JMLab®