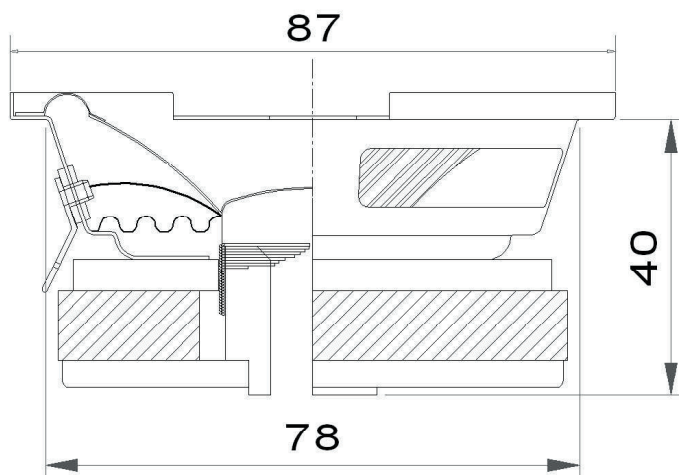


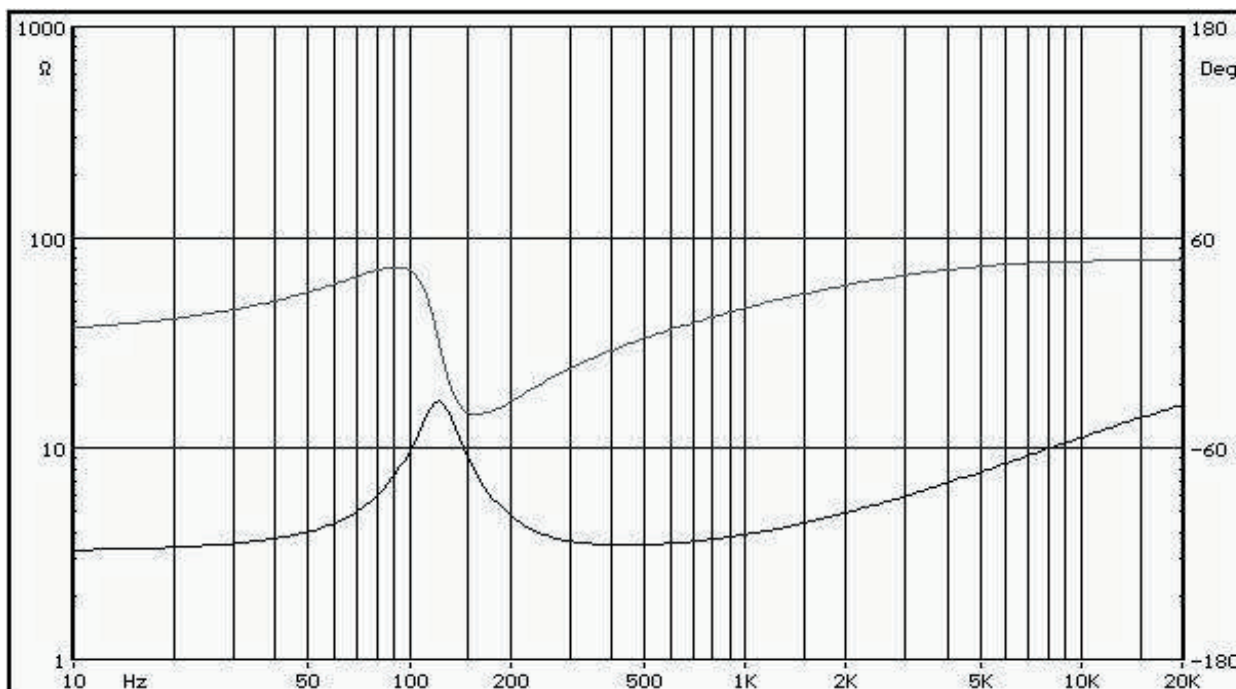
## M 35

Le:	0.32 mH
Re:	3.0 ohm
Fs:	123 Hz
Qms:	5
Qts:	0.75
Vas:	0.82 l
Bl:	3.21 N/A
Ferq.Resp:	150-8000 Hz

Sd:	36 cm <sup>2</sup>
Xmax:	10 mm
Pmax:	40 W
dBSpl:	88 dB



### M35 PHASE/IMPEDANCE



### TECHNICAL FEATURES

- CONE: Fibreglass treated for min. cone flexing and max. dumping.
- VOICE COIL: OFC copper on alu-former (Ø 25 mm).
- BASKET: multi-reinforced metal, chrome treated, for external use.

The request of a 87 mm. diam. mid-woofer is satisfied by the AD designers with this component , that maintains the conception of music reproduction also in standard fittings. From this development is born this little woofer , also a very good midrange in three-way systems.

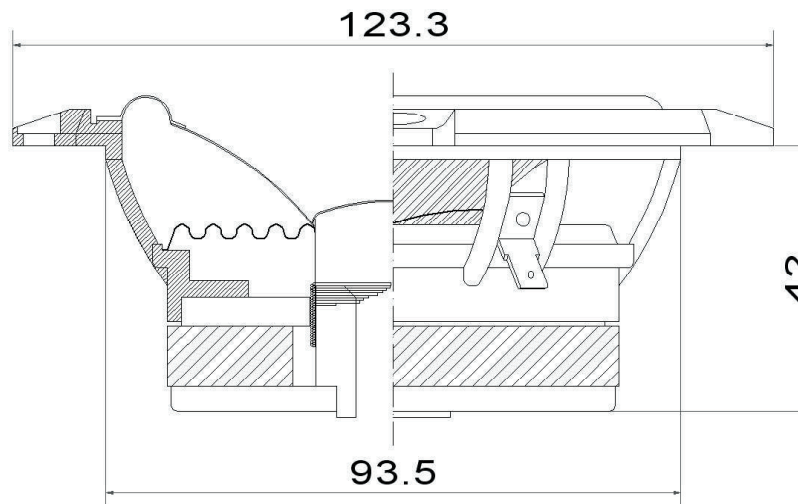
Phase and impedance curves are measured after 20 hours burn-in at 20 W RMS, so are the T / S parameters. Due to the continue research and development, these information are subject to change without notice.

Laboratorio Audio s.n.c. Via del Progresso 26/A Castelgomberto (VI) AD audio development.

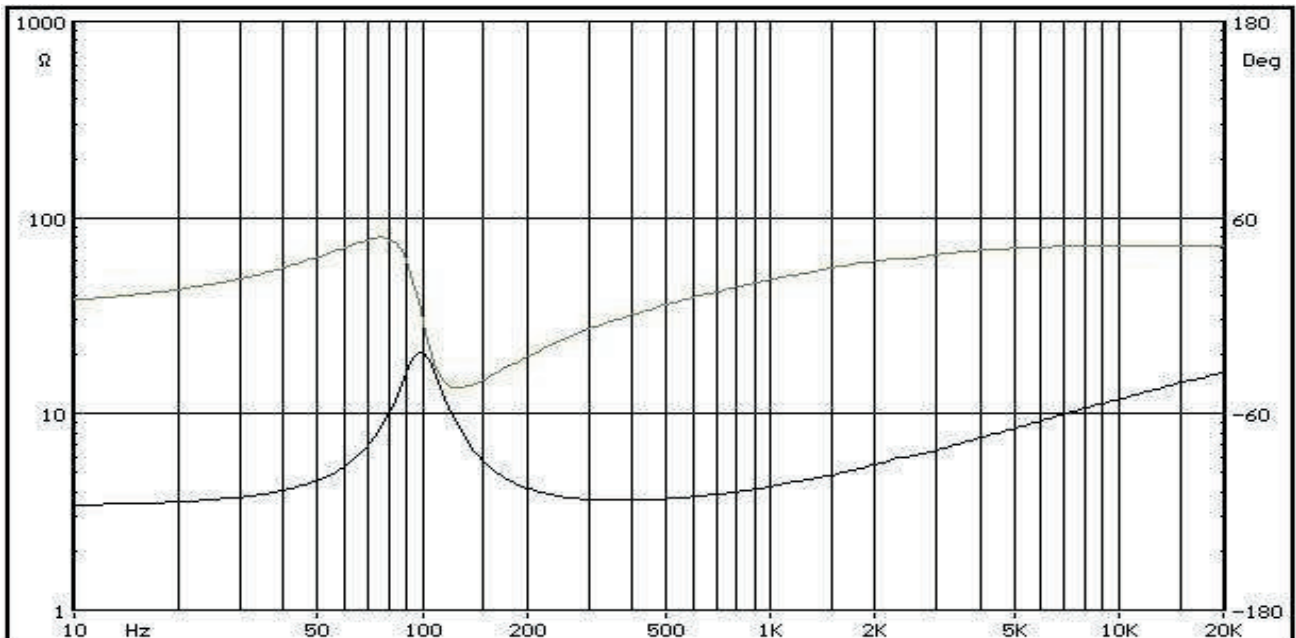
# M 40

Le:	0.41 mH
Re:	3.0 ohm
Fs:	98 Hz
Qms:	4.61
Qts:	0.69
Vas:	1.74
Bl:	3.45 N/A
Ferq.Resp:	130-7000 Hz

Sd:	50 cm <sup>2</sup>
Xmax:	10 mm
Pmax:	40 W
dBSpl:	88 dB



## M 40 PHASE/IMPEDANCE



## TECHNICAL FEATURES

- CONE: Fibreglass with rubber suspension.
- VOICE COIL: Pure copper wire on aluminum former (Ø 26 mm).
- BASKET: PPO chassis injected with fiberglass, in order to low down undesired distortions.

Design and development of mid-frequency transducers is heavily conditioned by the design of the dedicated crossover, because for AD this part of the musical reproduction is the most delicate and at the same time difficult to obtain in a three way front system . Our listening panels have directed our research to the choice of the "filler driver", as described on the data-sheet of the X 1 FD.

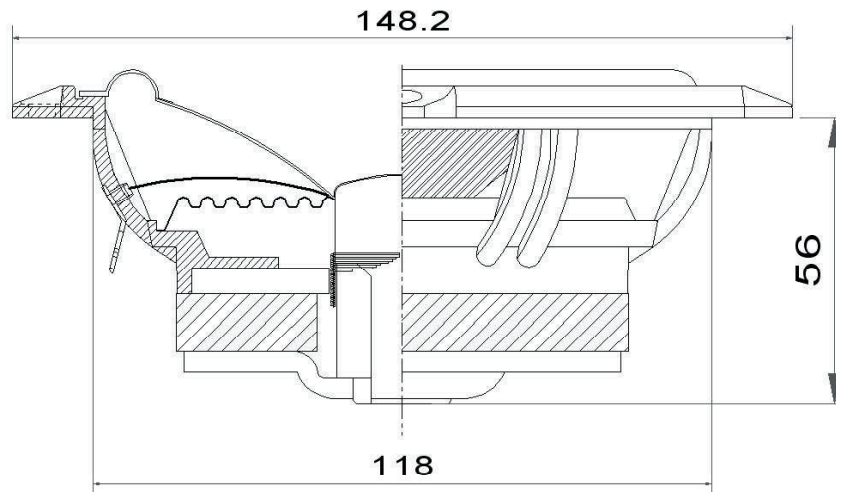
Phase and impedance curves are measured after 20 hours burn-in at 20 W RMS, so are the T / S parameters. Due to the continue research and development, these information are subject to change without notice.

Laboratorio Audio s.n.c. Via del Progresso 26/A Castelgomberto (VI) AD audio development.

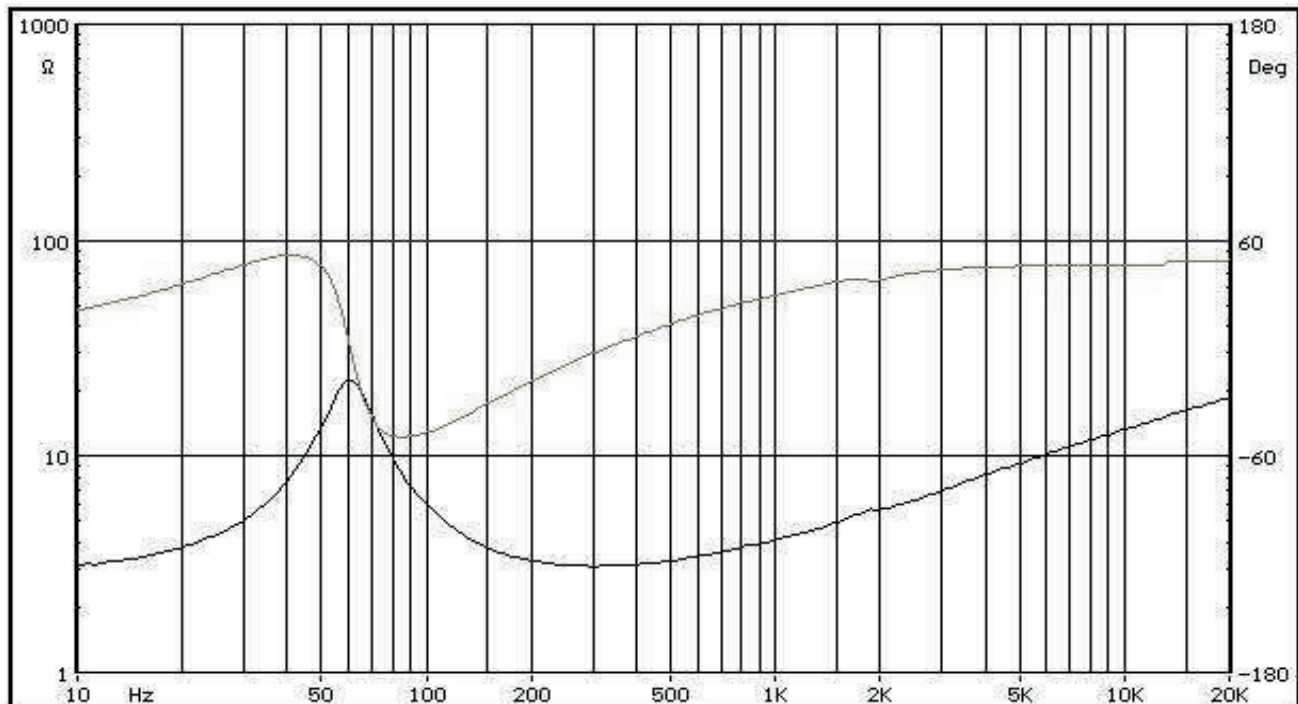
# M 50

Le:	0.41 mH
Re:	2.9 ohm
Fs:	60 Hz
Qms:	3.75
Qts:	0.5
Vas:	7.5 L
Bl:	3.9 N/A
Ferq.Resp:	70-6000 Hz

Sd:	78.5 cm <sup>2</sup>
Xmax:	12 mm
Pmax:	50 W
dBSpl:	89 dB



## M50 PHASE / IMPEDANCE



## TECHNICAL FEATURES

- CONE: Fiberglass with rubber suspension.
- VOICE COIL: Pure copper wire on aluminum former (∅ 26 mm).
- BASKET: PPO chassis injected with fiberglass, in order to low down undesired distortions.

A big midrange with small dimensions. Its mounting depth does not compromise good global sound performances, with an unusual extension that makes this speaker the perfect choice for people who are looking for a good match between woofer and tweeter.

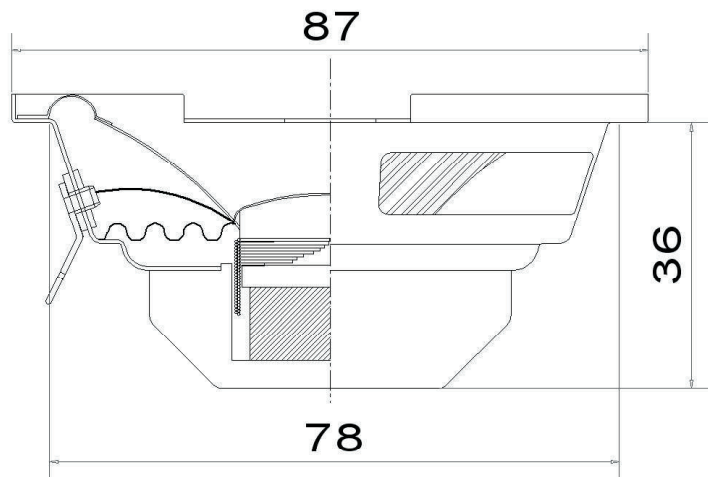
Phase and impedance curves are measured after 20 hours burn-in at 20 W RMS, so are the T / S parameters. Due to the continue research and development, these information are subject to change without notice.

Laboratorio Audio s.n.c. Via del Progresso 26/A Castelgomberto (VI) AD audio development.

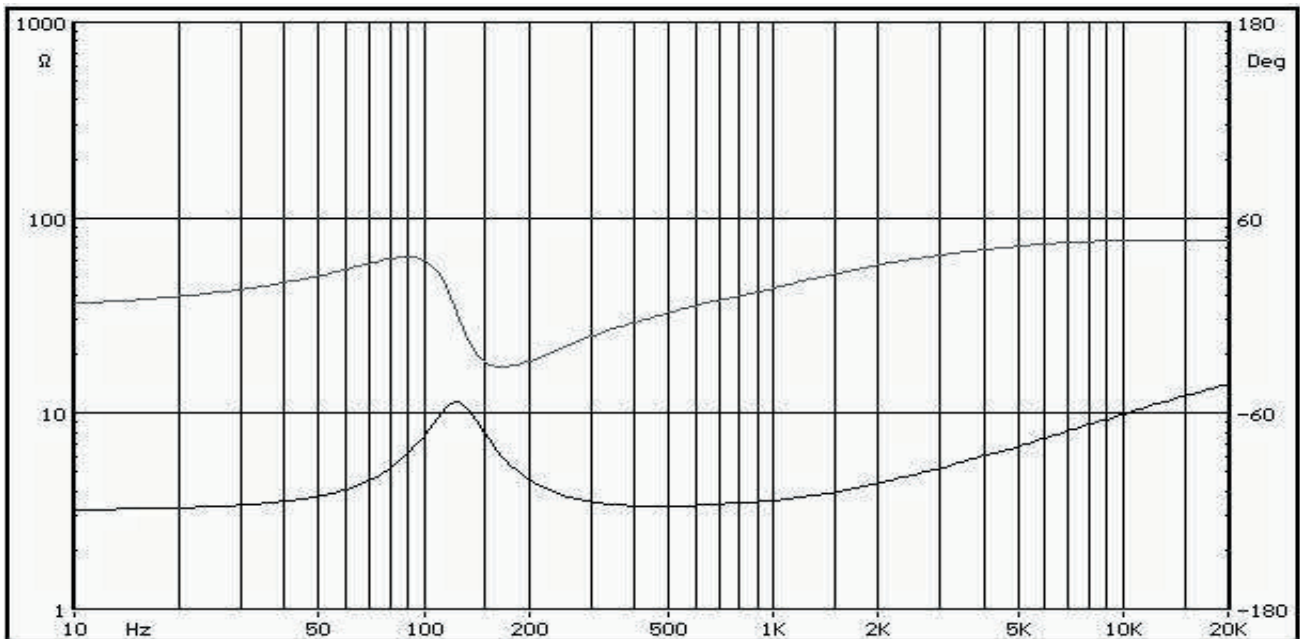
# M35 NEO

Le:	0.25 mH
Re:	3.0 ohm
Fs:	130 Hz
Qms:	3
Qts:	0.78
Vas:	0.8
Bl:	3.04 N/A
Ferq.Resp:	150-8000 Hz

Sd:	36 cm <sup>2</sup>
Xmax:	10 mm
Pmax:	40 W
dBSpl:	88 dB



## M35NEO PHASE/IMPEDANCE



## TECHNICAL FEATURES

- CONE: Fibreglass treated for min. cone flexing and max. dumping. Rubber suspension.
- VOICE COIL: OFC copper on alu-former (∅ 25 mm). Neodymium magnet stable at high temperatures, internally magnetized with a proprietary procedure.
- BASKET: multi-reinforced metal, chrome treated, for external use.

The request of a 87 mm. diam. mid-woofer is satisfied by the AD designers with this component , that maintains the conception of music reproduction also in standard fittings. From this development is born this little woofer , also a very good midrange in three-way systems.

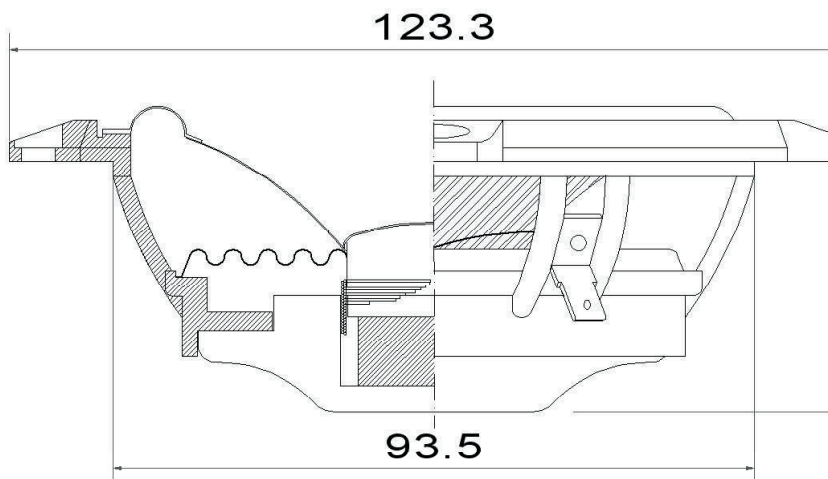
Phase and impedance curves are measured after 20 hours burn-in at 20 W RMS, so are the T / S parameters. Due to the continue research and development, these information are subject to change without notice.

Laboratorio Audio s.n.c. Via del Progresso 26/A Castelgomberto (VI) AD audio development.

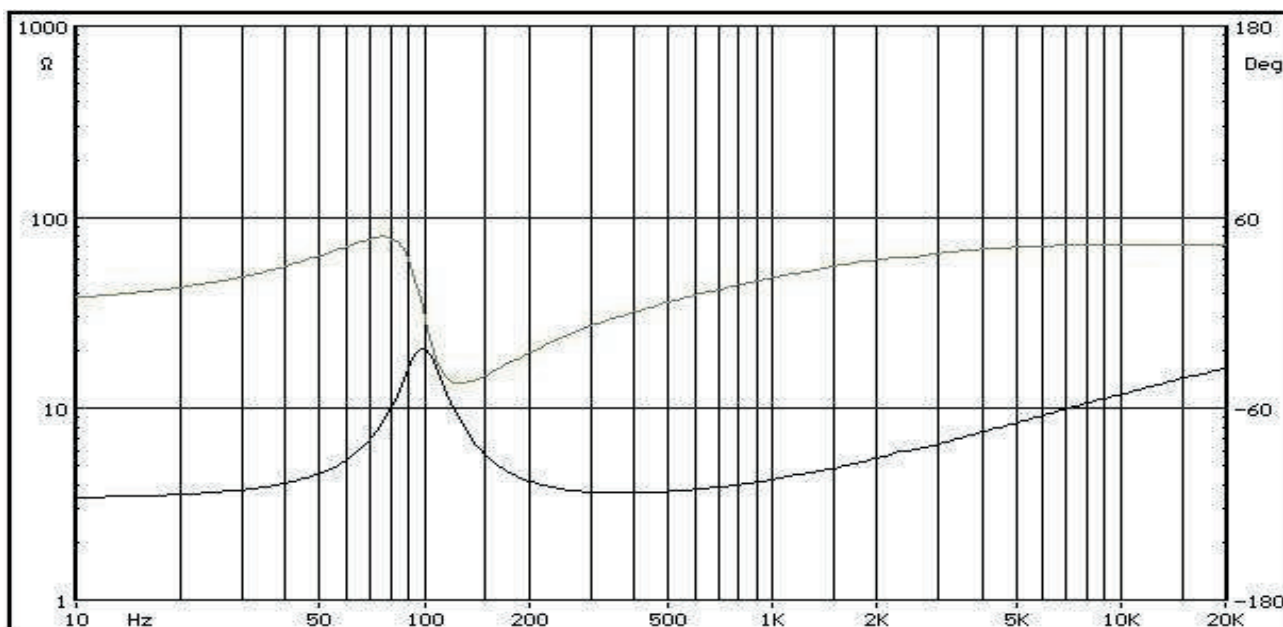
# M40 NEO

Le:	0.27 mH
Re:	3.0 ohm
Fs:	99 Hz
Qms:	2.85
Qts:	0.72
Vas:	2 L
Bl:	3 N/A
Ferq.Resp:	130-7000 Hz

Sd:	50 cm <sup>2</sup>
Xmax:	10 mm
Pmax:	40 W
dB SPL:	88 dB



## M40NEO PHASE / IMPEDANCE



## TECHNICAL FEATURES

- CONE: Fibreglass with rubber suspension.
- VOICE COIL: Pure copper wire on aluminum former (Ø 26 mm). High temperature stable neodymium magnet, internally magnetized with a proprietary procedure.
- BASKET: PPO chassis injected with fiberglass, in order to low down undesired distortions.

Design and development of mid-frequency transducers is heavily conditioned by the design of the dedicated crossover, because for AD this part of the musical reproduction is the most delicate and at the same time difficult to obtain in a three way front system . Our listening panels have directed our research to the choice of the "filler driver", as described on the data-sheet of the X 1 FD.

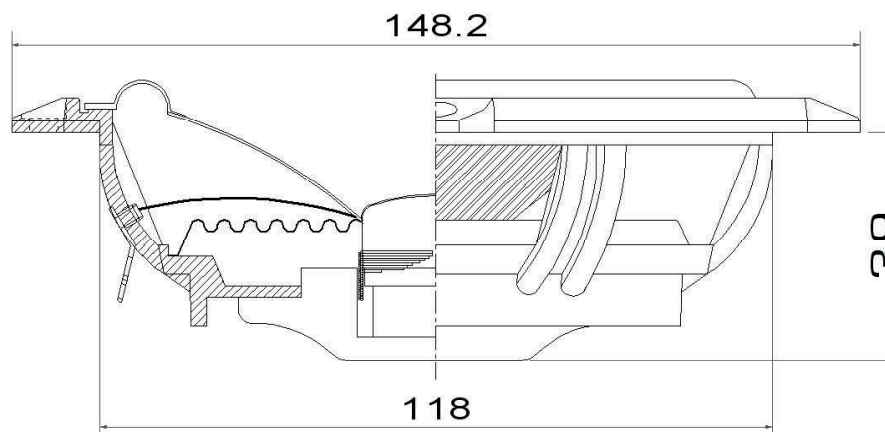
Phase and impedance curves are measured after 20 hours burn-in at 20 W RMS, so are the T / S parameters. Due to the continue research and development, these information are subject to change without notice.

Laboratorio Audio s.n.c. Via del Progresso 26/A Castiglomberto (VI) AD audio development.

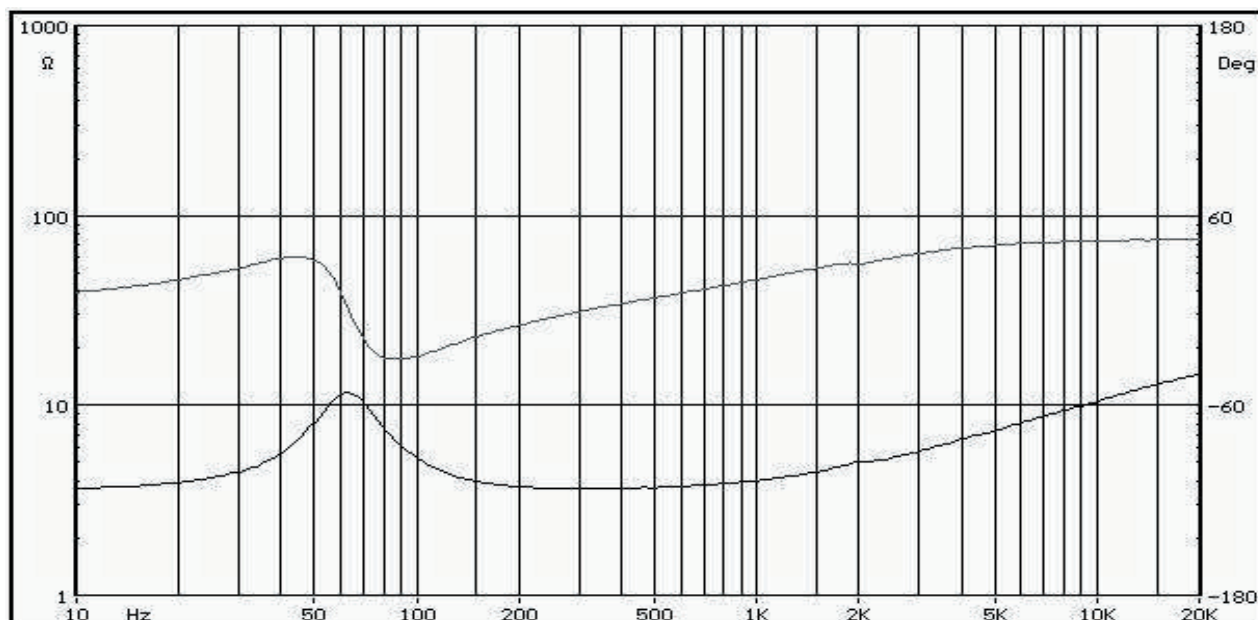
# M 50 NEO

Le:	0.26 mH
Re:	3 ohm
Fs:	66 Hz
Qms:	2.85
Qts:	0.72
Vas:	6.36 L
Bl:	3.16 N/A
Ferq.Resp:	70-6000 Hz

Sd:	78.5 cm <sup>2</sup>
Xmax:	10 mm
Pmax:	40 W
dBSpl:	88 dB



## M50NEO PHASE / IMPEDANCE



## TECHNICAL FEATURES

- CONE: Fibreglass with rubber suspension.
- VOICE COIL: Pure copper wire on aluminium former (∅ 26 mm). Neodimium magnet saturated with a proprietary procedure
- BASKET: PPO chassis injected with fibreglass, in order to low down undesired distortions.

A big midrange with small dimensions. Its mounting depth does not compromise good global sound performances, with an unusual extension that makes this speaker the perfect choice for people who are looking for a good match between woofer and tweeter.

Phase and impedance curves are measured after 20 hours burn-in at 20 W RMS, so are the T / S parameters. Due to the continue research and development, these information are subject to change without notice.

Laboratorio Audio s.n.c. Via del Progresso 26/A Castelgomberto (VI) AD audio development.