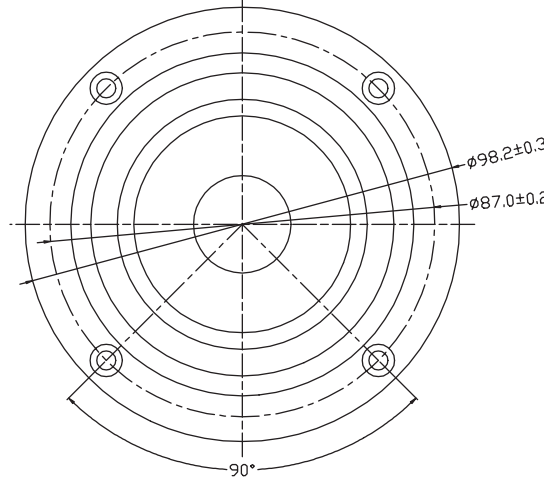
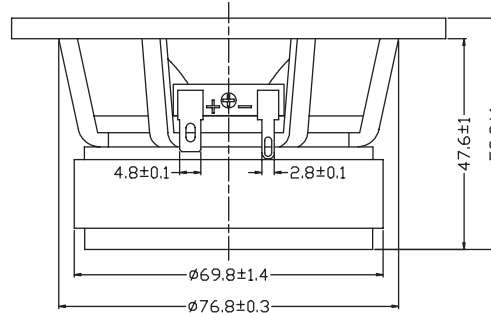


PS95-8

3-1/2" Reference Full-Range Driver



Note: All dimensions in mm.

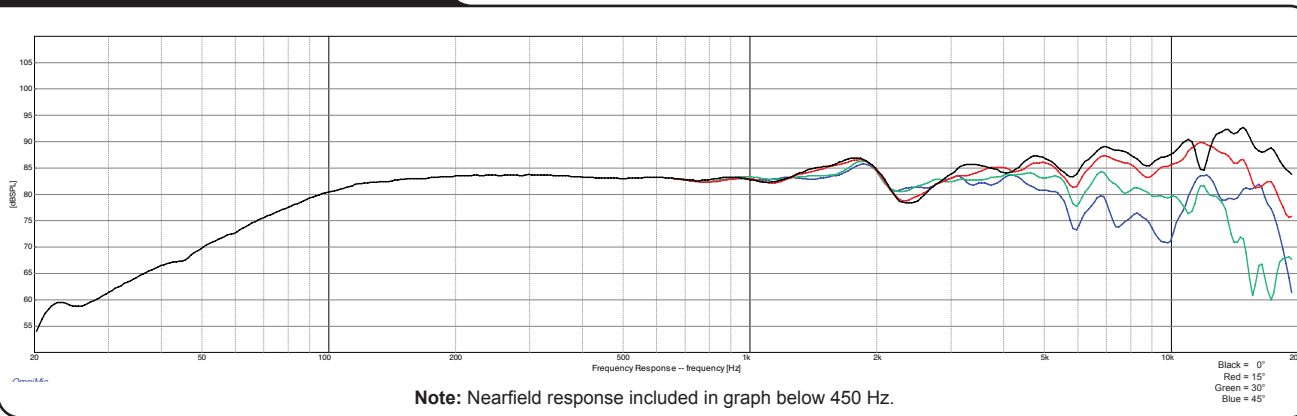
Parameters

Impedance (Ω)	8
Re (Ω)	7.26
Le (mH) @ 1 kHz	0.61
Fs (Hz)	115
Qms	8.4
Qes	0.83
Qts	0.76
Mms (g)	2.33
Cms (mm/N)	0.81
Sd (cm ²)	28.3
Vd (cm ³)	7.08
BL (Tm)	3.83
VAS (liters)	0.91
XMAX (mm)	2.5
VC Diameter (mm)	20
SPL (dB 2.83V/1m)	83
RMS Power Handling (w)	10
Usable Frequency Range (Hz)	110-20,000

Features

- Low distortion motor with copper pole cap
- Curved-profile natural paper cone
- Copper anodized aluminum phase plug
- Non-resonant cast aluminum frame
- Excellent clarity and detailed sound

Frequency Response



Note: Nearfield response included in graph below 450 Hz.

Impedance/Phase

