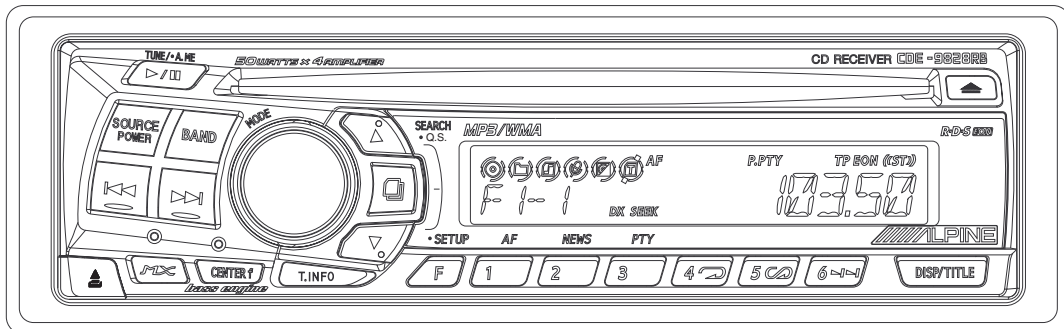


ALPINE

SERVICE MANUAL

FM/MW/LW/RDS CD Receiver

MP3



(CDE-9828RB)

3 / 04-A
68E36331S01



CDE-9828RB/CDE-9827R/ CDE-9827RM/CDE-9827RR

<Cautions for Safe Repair Work>



The following cautions will prevent accidents in the workplace and will ensure safe products.

*The symbols indicate caution is needed to prevent injuries and damage to property.



The symbols and their meanings follow.

 Warning	If you ignore this symbol and handle the product incorrectly or unsafely, serious injury or death may result.
 Caution	If you ignore this symbol and handle the product incorrectly or unsafely, injury or only material damage may result.



*The following symbols indicate two levels of cautions.



 When you see this symbol, you have to be very careful.
 When you see this symbol, you have to follow the instructions there.



Warning

 Do not look squarely into the laser light coming from the pickup. You may lose your sight.	 Fuse Caution Always use a designated fuse. Use of an incorrect fuse may result in a fire.
--	--

Caution

 Do not allow wiring to be caught in the screw/chassis. If wiring is caught in the screw/chassis, it may cause a short circuit, resulting in a fire.	 Battery Caution Use the designated battery. Confirm the correct polarity and seat of the battery. An incorrect battery or an improperly connected or seated battery may result in a fire.
---	---

 High Temperature Caution Touching the heat sink may cause severe burns.	 Designated Parts Caution Look up the part list and ensure that only designated parts are used to prevent problems or accidents.
---	---

 Reverse Power Supply Connections or Misconnections Caution Reverse power supply connections or misconnections may cause ignition problems and smoke may result.	 Wiring Caution Ensure that the wiring is correct when rewiring to prevent problems with ignition/breakdown.
---	---

 Soldering Caution Hot solder from solder splash may cause severe burns.	 Wear Gloves Wear gloves to prevent electrical shocks or injury from the end face of the metal.
---	--

Contents

Packing Assembly Parts List	4
Packing Method View	4
Specifications	5 , 6
Extension Cable	7
Adjustment Procedures	8 to 11
Block Diagram	12
Parts Layout on P.W.Boards and Wiring Diagram	13 to 18
Schematic Diagram	19 to 26
Terminal Voltage of IC/ TR	27 to 34
Description of IC Terminal	35 to 39
Exploded View (Cabinet)	40
Exploded View (CD Deck Mechanism) (DP23S27R)	41

NOTE : Due to continuing product improvement, specifications and designs are subject to change without notice.

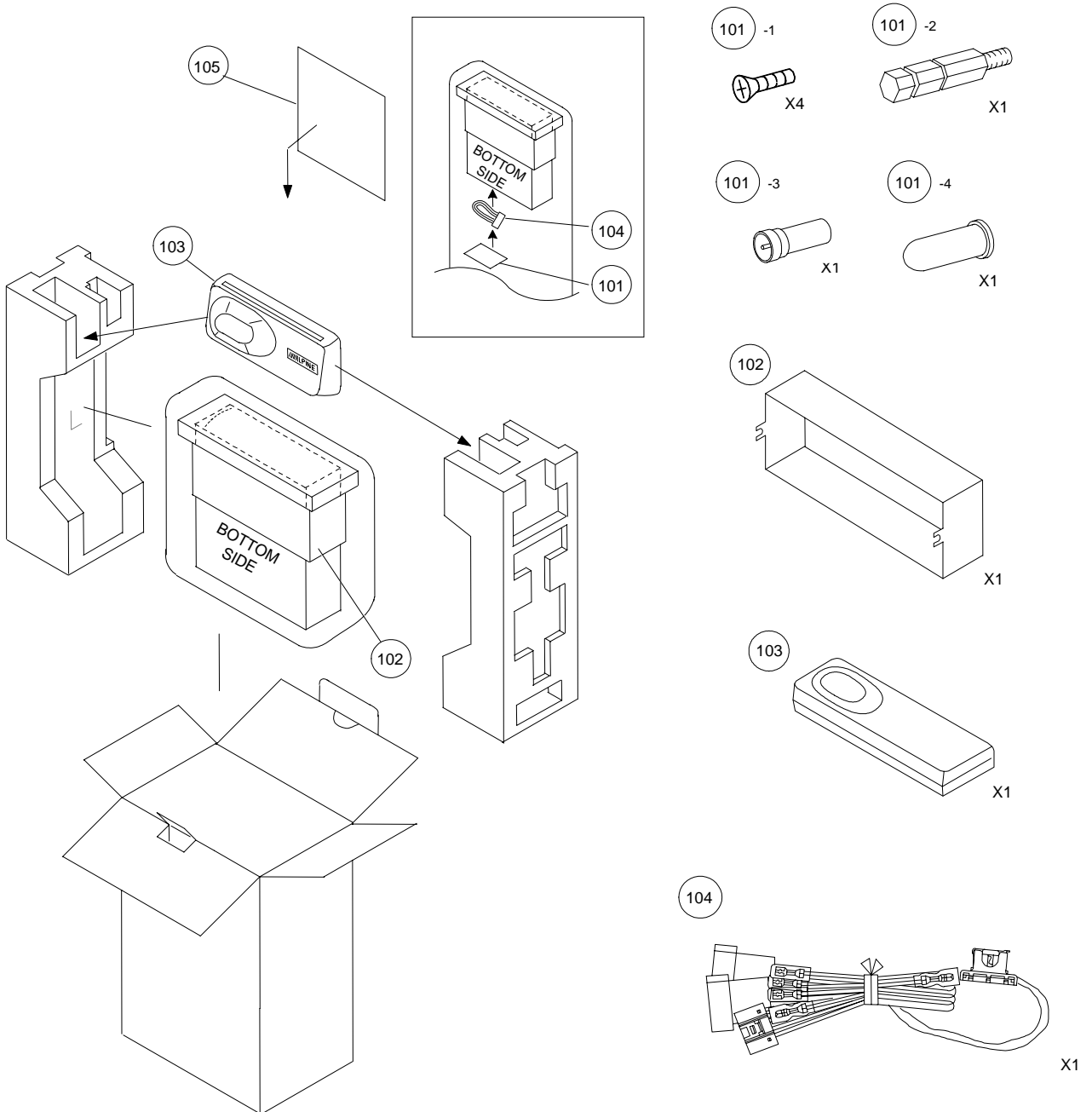
Packing Assembly Parts List

Symbol No.	Part No.	Description
101-1	03S60820Y16	SCR,MCH 5X8 ZN A
101-2	03A60836Y01	SCR,CUS 5X7 ZN A
101-3	01T04296K01	ISO/JASO ANT ADAPTER
101-4	36A02449K01	CAP,RUBBER(A)
102	15D00529K02	CASE,INNER
103	15D01798K03	CARRYING,CASE

Symbol No.	Part No.	Description
#1 104	01T75373Y02	ASSY,ISO CONN 9825R
\$1 104	01T75373Y01	ASSY,ISO CONN 9823R
%1 104	01T75373Y01	ASSY,ISO CONN 9823R
&1 104	01T75373Y01	ASSY,ISO CONN 9823R
105	68P02294K95	O/M A OEU AODN

NOTE : #1 : For CDE-9828RB Model Only, \$1 : For CDE-9827R Model Only, %1 : For CDE-9827RM Model Only, &1 : For CDE-9827RR Model Only, Others : Common.

Packing Method View



Specifications

<FM RADIO>

Intermediate Frequency	10.7±0.1MHz
Frequency Range	87.5 to 108.0MHz
Usable Sensitivity (Mono, 30dB S/N, at 98.1MHz)	20.2dBf
-3dB Limiting Sensitivity (at 98.1MHz)	23.2dBf
Residual Noise (Ref. 400Hz (NARROW), at 98.1MHz)	28±10dB
S/N Ratio (at 98.1MHz)	Stereo : 55dB Mono : 58dB
Image Rejection (at 106.1MHz)	40dB
IF Rejection (at 90.1MHz)	60dB
Distortion (Input 60dBu, at 98.1MHz)	1.0%
Frequency Response (Ref. 400Hz, at 98.1MHz)	100Hz : 0±3dB 10kHz : -10±3dB
Stereo Separation (1kHz, at 98.1MHz)	20dB
PS Sensitivity (at 98.1MHz)	36.2dBf

<MW RADIO>

Intermediate Frequency	1st. IF : 10.7MHz 2nd. IF : 450kHz
Frequency Range	531 to 1,602kHz
Usable Sensitivity (20dB S/N, at 999kHz)	36dB
S/N Ratio (at 999kHz)	44dB
Image Rejection (at 1,404kHz)	50dB
IF Rejection (at 603kHz)	60dB
Distortion (at 999kHz)	1.5%
Frequency Response (Ref. 400Hz, at 999kHz)	100Hz : -3+3,-4dB 2.5kHz : -3+4, -8dB

<LW RADIO>

Intermediate Frequency	1st. IF : 10.7MHz 2nd. IF : 450kHz
Frequency Range	153 to 281kHz
Usable Sensitivity (20dB S/N, at 216kHz)	42dB
S/N Ratio (at 216kHz)	44dB
Image Rejection (at 270kHz)	50dB
IF Rejection (at 162kHz)	60dB
Distortion (at 216kHz)	1.5%
Frequency Response (Ref. 400Hz, at 216kHz)	100Hz : -3+3,-4dB 2.5kHz : -3+4, -8dB

<Pickup>

Wave Length	795nm
Laser Power	CLASS I

CDE-9828RB/CDE-9827R/ CDE-9827RM/CDE-9827RR

<CD SECTION>

System	Optical (Compact Disc System)
Channel Balance (1kHz)	CD : TCD-782 : 0±3dB MP3 : SCD-5100 (FOLDER4-128kbps) : 0±3dB WMA : SCD-5100 (FOLDER10-128kbps) : 0±3dB
Distortion (1kHz)	CD : TCD-782 : 0.1% MP3 : SCD-5100 (FOLDER4-128kbps) : 0.1% WMA : SCD-5100 (FOLDER10-128kbps) : 0.1%
Frequency Response (Ref. 1kHz)	CD : TCD-782 : 17Hz : 0±3dB 127Hz : 0±2dB 10.007kHz : 0±2dB 19.997kHz : -2±4dB MP3 : SCD-5100 (FOLDER4-128kbps) : 17Hz : 0±3dB 127Hz : 0±2dB 10.007kHz : 0±2dB 19.997kHz : -2±4dB WMA : SCD-5100 (FOLDER10-128kbps) : 17Hz : 0±3dB 127Hz : 0±2dB 10.007kHz : 0±2dB 19.997kHz : -2±4dB
S/N Ratio	CD : TCD-782 : 95dB MP3 : SCD-5100 (FOLDER4-128kbps) : 95dB WMA : SCD-5100 (FOLDER10-128kbps) : 95dB
Separation	CD : TCD-782 : 55dB MP3 : SCD-5100 (FOLDER4-128kbps) : 55dB WMA : SCD-5100 (FOLDER10-128kbps) : 55dB
De-Emphasis (Ref. 1kHz)	CD : TCD-782 : 4kHz : -20±3dB 16kHz : -20±3dB

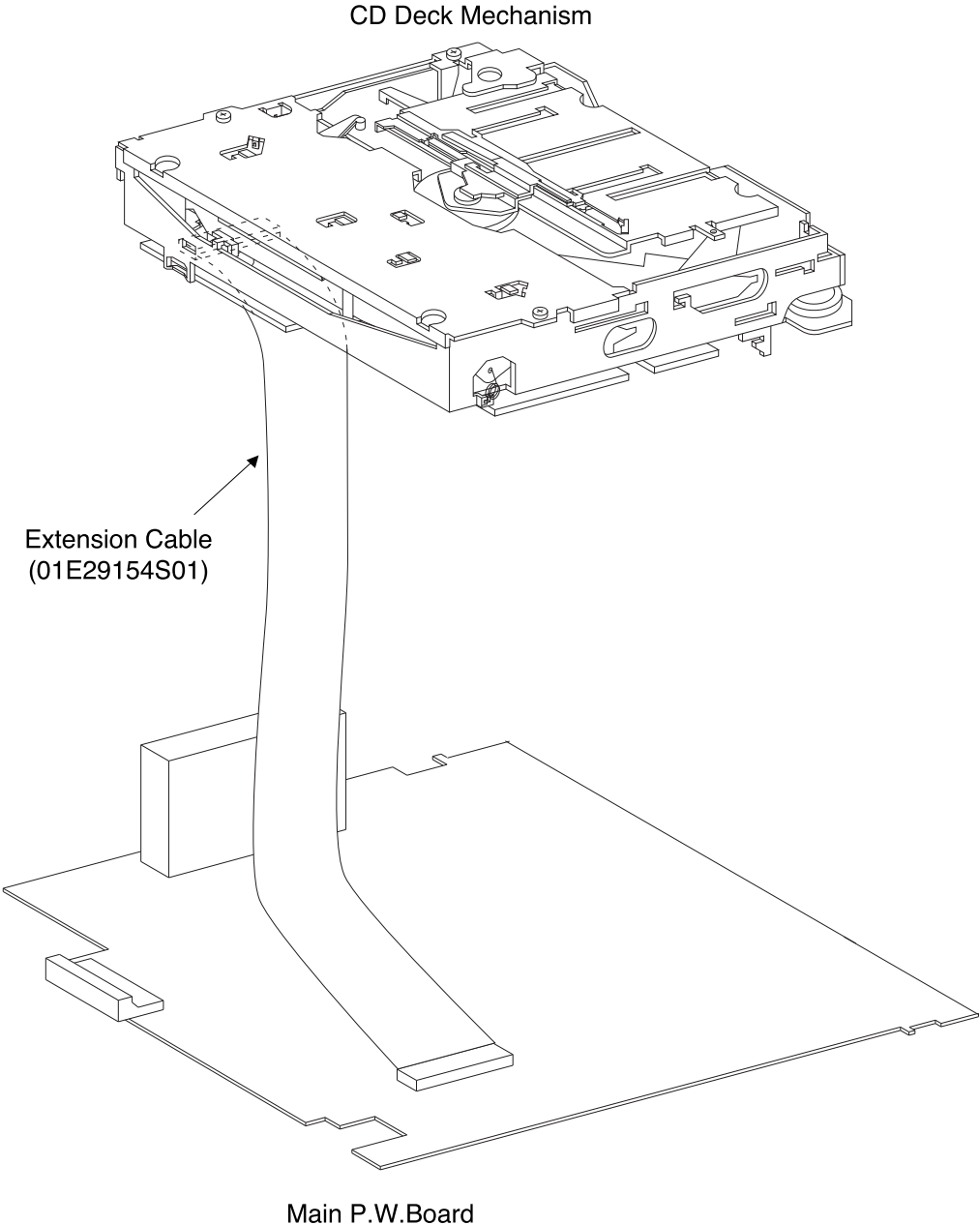
<GENERAL>

Power Supply	DC14.4V
Power Output (Ref. CD Mode/SP-OUT, T.H.D. 10%/Impedance	16W/ch/4ohm
Pre Output (Ref. CD (TCD-782 (0dB/1kHz)), T.H.D. 1%, /Impedance	2V±2.5dBV/ch/10kohm SUB-W OFF Mode, Rear PRE-OUT Mode)
Dimensions (W x H x D)	Chassis : 178 x 50 x 160mm Nose : 188 x 58 x 27mm
Weight	1.6kg

NOTE : Due to Continuing product improvement, specifications and designs are subject to change without notice.

Extension Cable

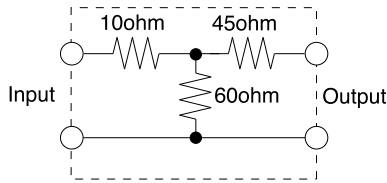
* When repairing or measuring the voltage of this unit, connect with the Extension Cable as shown in below.



Adjustment Procedures

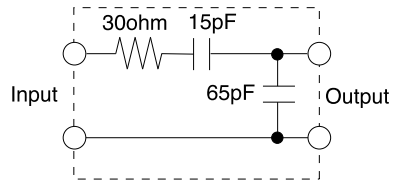
1. FM/MW/LW SECTION

(1) Dummy Antenna Circuit



For 50 ohm FM Signal Generator

Figure 1



For 50 ohm MW/LW Signal Generator

Figure 2

(2) Connections

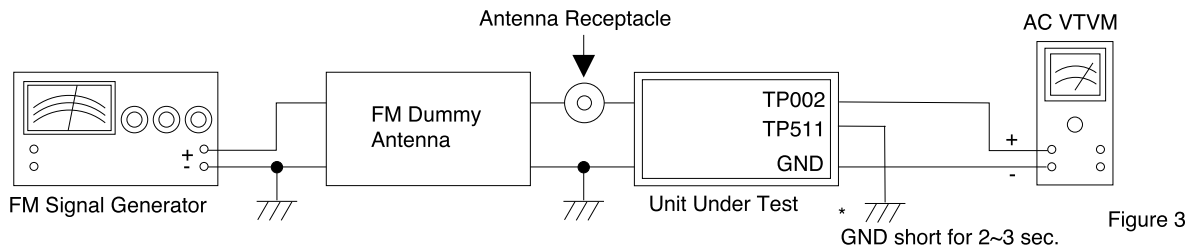


Figure 3

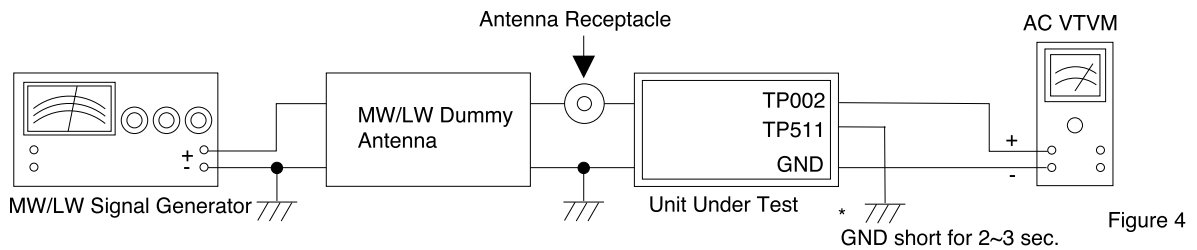


Figure 4

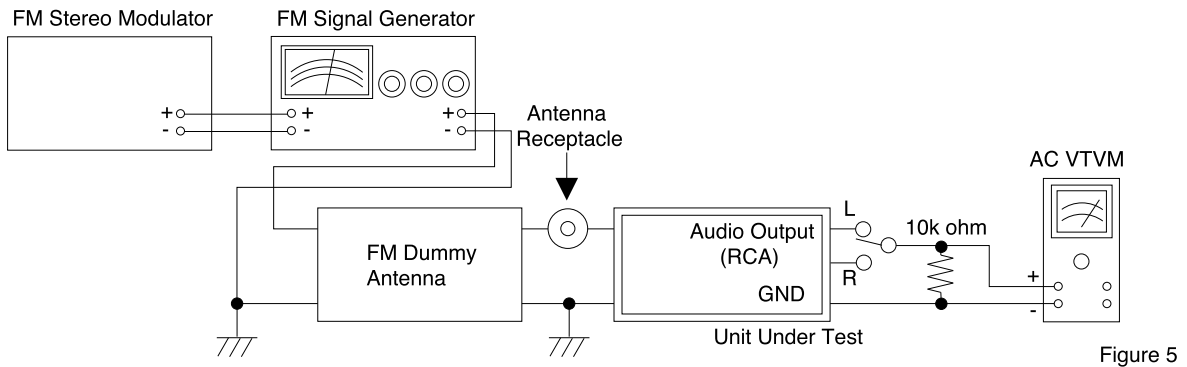


Figure 5

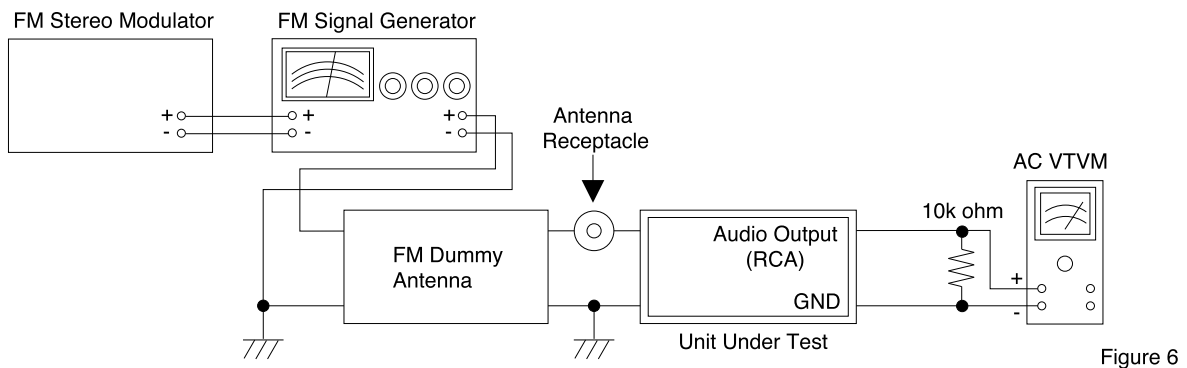


Figure 6

CDE-9828RB/CDE-9827R/ CDE-9827RM/CDE-9827RR

(3) Control Settings

Power Switch ON Band Switch FM/MW/LW
 Fader Control Center Position MX Non Effect
 Balance Control Center Position Others OFF

(4) Adjustment Procedures

Step	Description	Connection	Signal Generator	Dial Control	Test Point / P.W.Board Coordinates	Adjustment
1	Signal Meter Auto Adjustment (FM).	Figure 3	(1) 87.5MHz , , 26dBμ (Mod. OFF).	87.5MHz	TP002 (3-F) TP511 (3-B)	Auto Adjustment : After setting up of Signal Generator , short GND and TP511 (Pull-Down) . for 2~3 seconds.
			(2) 87.5MHz , , 26dBμ (Mod. OFF).	87.5MHz	TP002 (3-F) TP511 (3-B)	Proceed same Auto Adjustment of step (1) under step (2). (SPEC) TP002 : 1.5±0.1V → OK (SPEC) TP002 : others 1.5±0.1V → NG NOTE : NG : Proceed same Auto Adjustment of step (1) under step (3).
			(3) 87.5MHz , , 21~23dBμ (Mod. OFF).	87.5MHz	TP002 (3-F) TP511 (3-B)	Proceed same Auto Adjustment of step (1) under step (3).
			(4) 87.5MHz , , 26dBμ (Mod. OFF).	87.5MHz	TP002 (3-F) TP511 (3-B)	Proceed same Auto Adjustment of step (1) under step (4).
2	Signal Meter Auto Adjustment (MW).	Figure 4	(1) 999kHz , , 34dBμ (Mod. OFF).	999kHz	TP002 (3-F) TP511 (3-B)	Auto Adjustment : After setting up of Signal Generator , short GND and TP511 (Pull-Down) . for 2~3 seconds.
			(2) 999kHz , , 34dBμ (Mod. OFF).	999kHz	TP002 (3-F) TP511 (3-B)	Proceed same Auto Adjustment of step (1) under step (2). (SPEC) TP002 : 1.0±0.1V → OK (SPEC) TP002 : others 1.0±0.1V → NG NOTE : NG : Proceed same Auto Adjustment of step (1) under step (3).
			(3) 999kHz , , 29~31dBμ (Mod. OFF).	999kHz	TP002 (3-F) TP511 (3-B)	Proceed same Auto Adjustment of step (1) under step (3).
			(4) 999kHz , , 34dBμ (Mod. OFF).	999kHz	TP002 (3-F) TP511 (3-B)	Proceed same Auto Adjustment of step (1) under step (4).

**CDE-9828RB/CDE-9827R/
CDE-9827RM/CDE-9827RR**

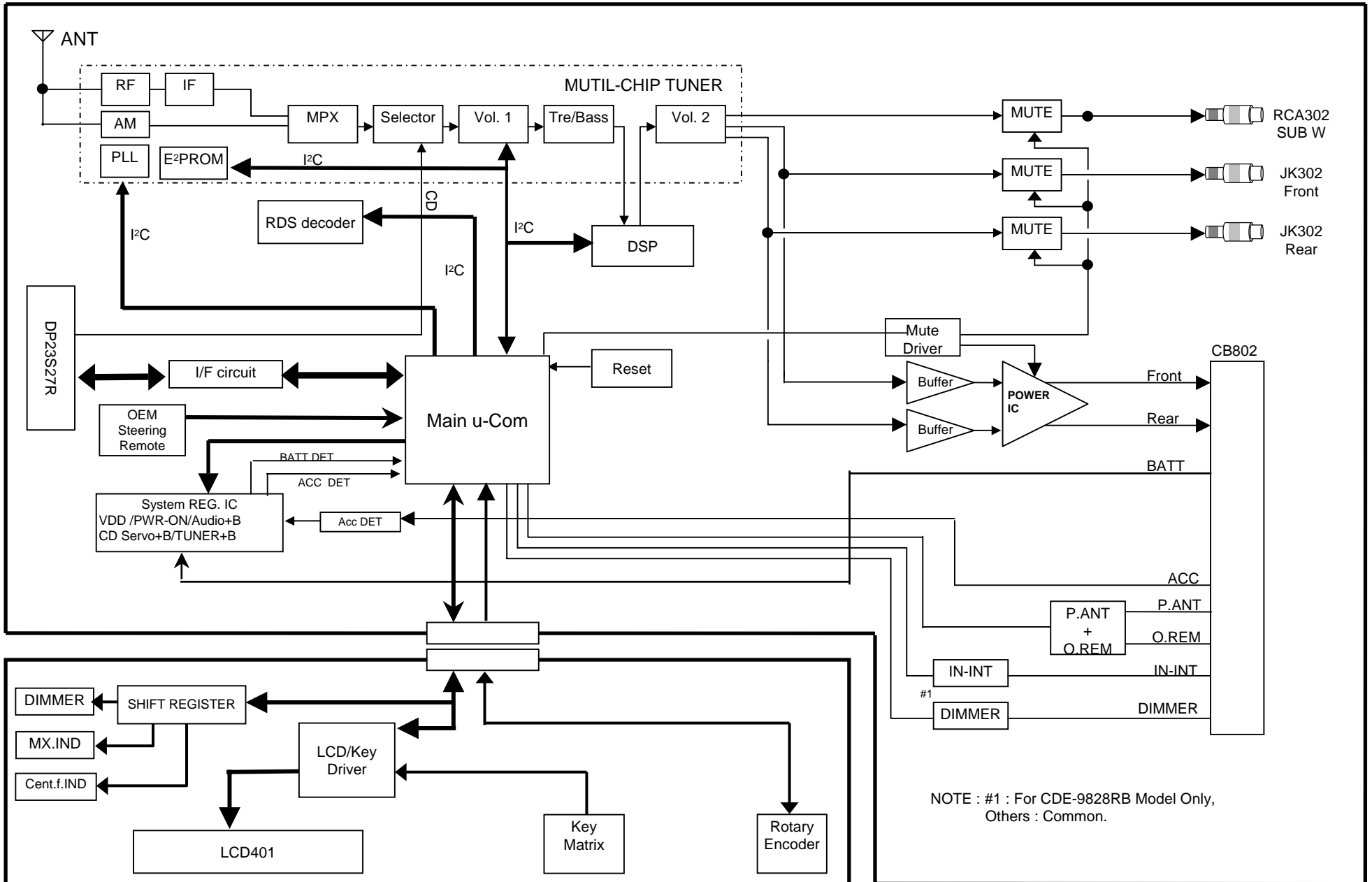
Step	Description	Connection	Signal Generator	Dial Control	Test Point / P.W.Board Coordinates	Adjustment	
3	Signal Meter Auto Adjustment (LW).	Figure 4	(1)	216kHz , 34dB μ . (Mod. OFF).	216kHz	TP002 (3-F) TP511 (3-B)	Auto Adjustment : After setting up of Signal Generator , short GND and TP511 (Pull-Down) . for 2~3 seconds.
			(2)	216kHz , 34dB μ . (Mod. OFF).	216kHz	TP002 (3-F) TP511 (3-B)	Proceed same Auto Adjustment of step . (1) under step (2). (SPEC) TP002 : 1.0 \pm 0.1V \rightarrow OK (SPEC) TP002 : others 1.0 \pm 0.1V \rightarrow NG. NOTE : NG : Proceed same Auto Adjustment of step (1) under step (3).
			(3)	216kHz , 29~31dB μ . (Mod. OFF).	216kHz	TP002 (3-F) TP511 (3-B)	Proceed same Auto Adjustment of step . (1) under step (3).
			(4)	216kHz , 34dB μ . (Mod. OFF).	216kHz	TP002 (3-F) TP511 (3-B)	Proceed same Auto Adjustment of step . (1) under step (4).
4	FM ST Separation (Roll OFF) Adjustment	Figure 5	(1)	—	—	—	Set up of Adjustment Mode : . Push [SOURCE/POWER] + [3] at the same time.
			(2)	98.1MHz, 72dB μ (Mod. 400Hz, Dev. 75kHz, Stereo, 1kHz, Lch only)	98.1MHz	Audio Output (RCA)	Push Preset Switches (1~5), and observe value of separation. Select Preset Switch of maximum separation. (SPEC) : separation : more than 20dB.
			(3)	—	—	—	Cancel Adjustment Mode : Push [SOURCE/POWER] + [3] at the same time.
5	Stereo Blend (Roll OFF) Adjustment (Lch).	Figure 5	(1)	—	—	—	Set up of Adjustment Mode : . Push [SOURCE/POWER] + [F] at the same time.
			(2)	98.1MHz, 46dB μ (Mod. 400Hz, Dev. 75kHz, Stereo, 1kHz, Lch only)	98.1MHz	Audio Output (RCA)	Push Preset Switches (1~6), and observe value of blend. (SPEC) : Blend : 8 \pm 6dB.
			(3)	—	—	—	Cancel Adjustment Mode : . Push [SOURCE/POWER] + [F] at the same time.
6	Limiting Adjustment	Figure 6	(1)	—	—	—	Set up of Adjustment Mode : . Push [SOURCE/POWER] + [UP] at the same time.
			(2)	98.1MHz, 24dB μ (Mod. 400Hz, Dev. 75kHz)	98.1MHz	Audio Output (RCA)	Push Preset Switches (1~5), and observe value of limiting. (SPEC) : Limiting : -3dB.
			(3)	—	—	—	Cancel Adjustment Mode : . Push [SOURCE/POWER] + [UP] at the same time.

**CDE-9828RB/CDE-9827R/
CDE-9827RM/CDE-9827RR**

Step	Description	Connection	Signal Generator	Dial Control	Test Point / P.W.Board Coordinates	Adjustment	
7	Noise Level Adjustment	Figure 6	(1)	—	—	—	Set up of Adjustment Mode : Push [SOURCE/POWER] + [UP] at the same time.
			(2)	98.1MHz, .72 --> -20dBμ. (Mod. OFF).	98.1MHz	Audio Output (RCA)	Rotary encoder is turned and noise level is adjustment. (SPEC) : Noise Level : 28±10dB.
			(3)	—	—	—	Cancel Adjustment Mode : Push [SOURCE/POWER] + [UP] at the same time.

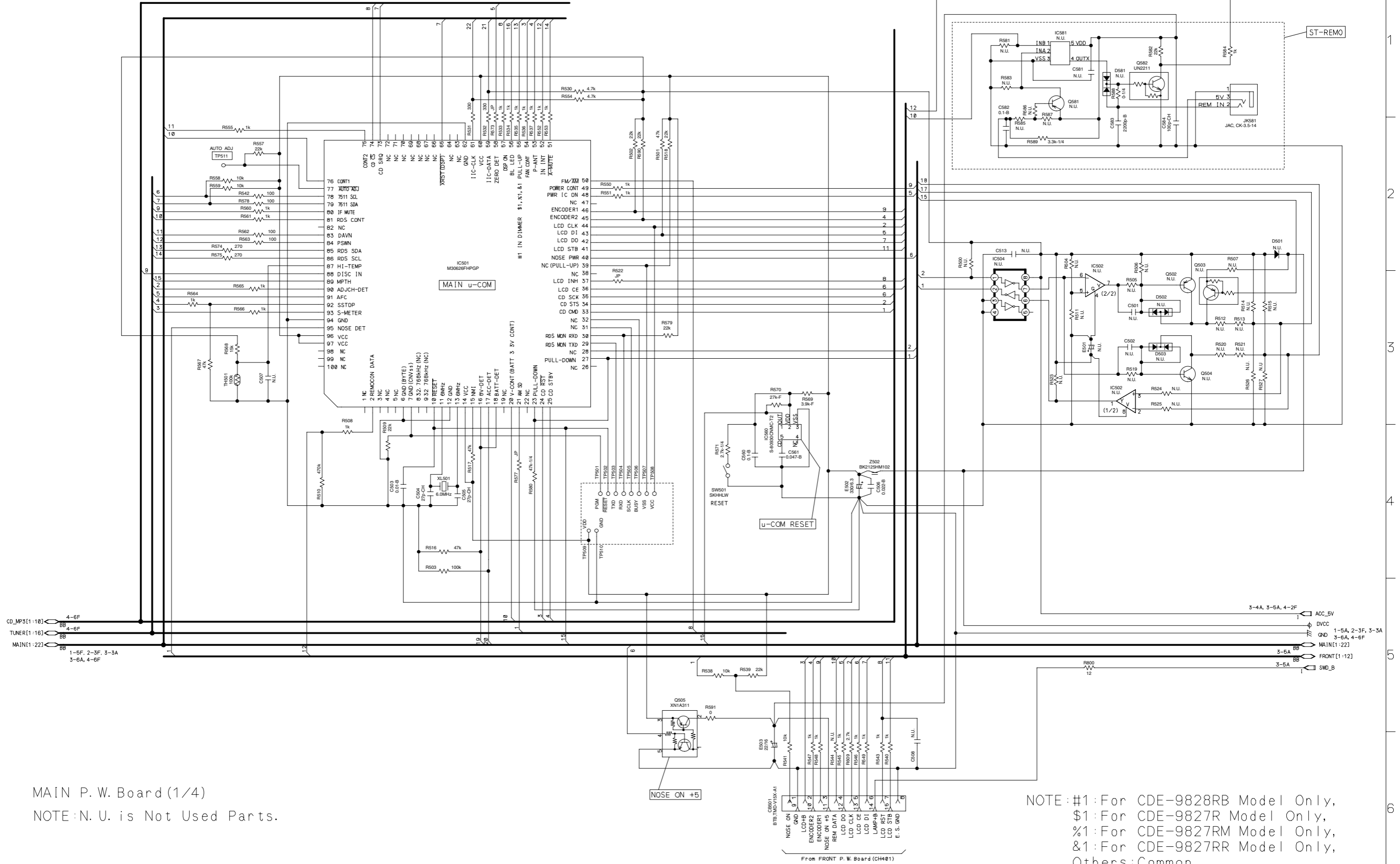
Block Diagram

CDE-9828RB/CDE-9827R/
CDE-9827RM/CDE-9827RR



Schematic Diagram (1/8)

CDE-9828RB/CDE-9827R/
CDE-9827RM/CDE-9827RR

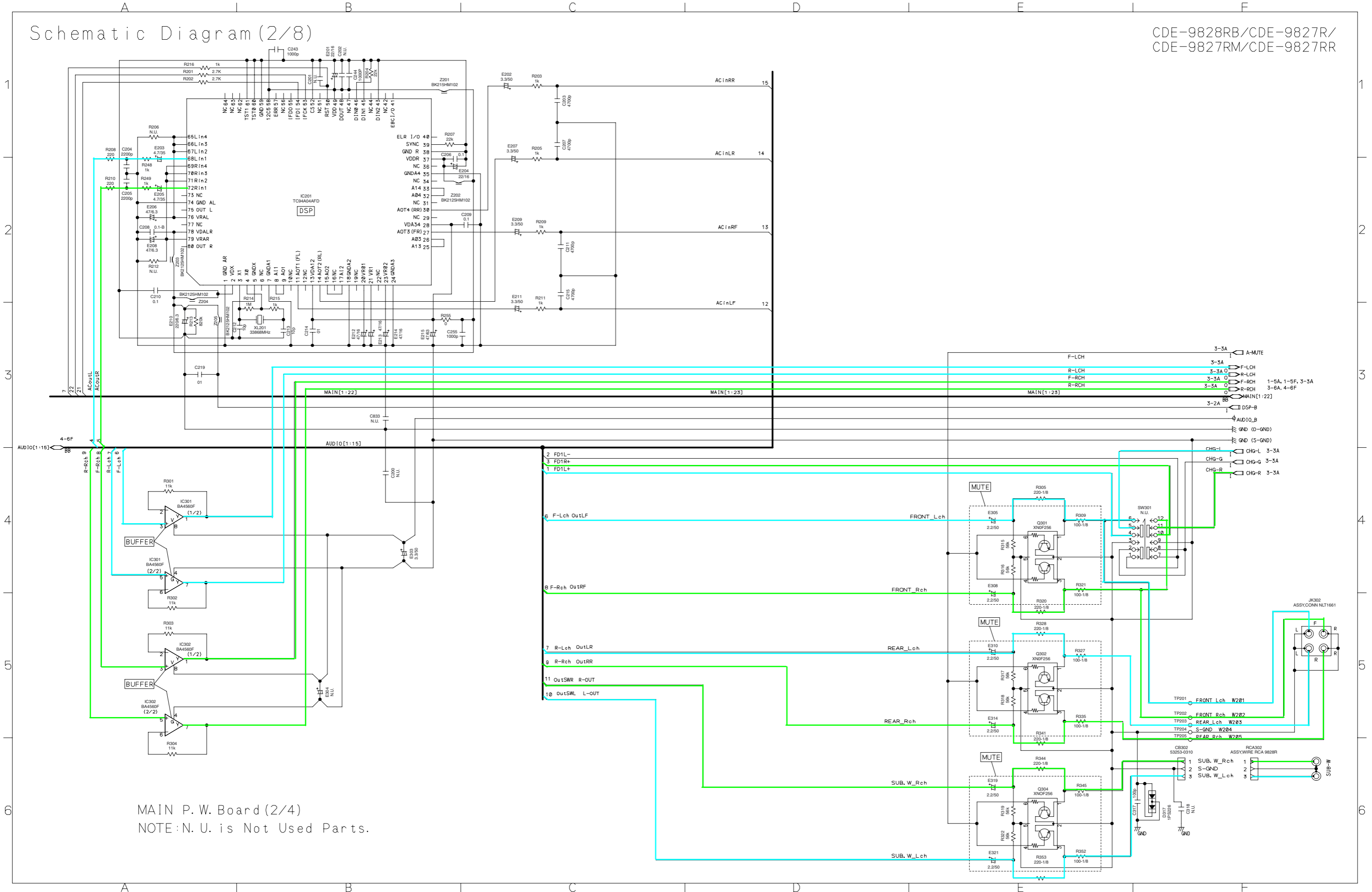


MAIN P. W. Board (1/4)
NOTE: N. U. is Not Used Parts.

NOTE: #1: For CDE-9828RB Model Only,
\$1: For CDE-9827R Model Only,
%1: For CDE-9827RM Model Only,
&1: For CDE-9827RR Model Only,
Others: Common.

Schematic Diagram (2/8)

CDE-9828RB/CDE-9827R/
CDE-9827RM/CDE-9827R



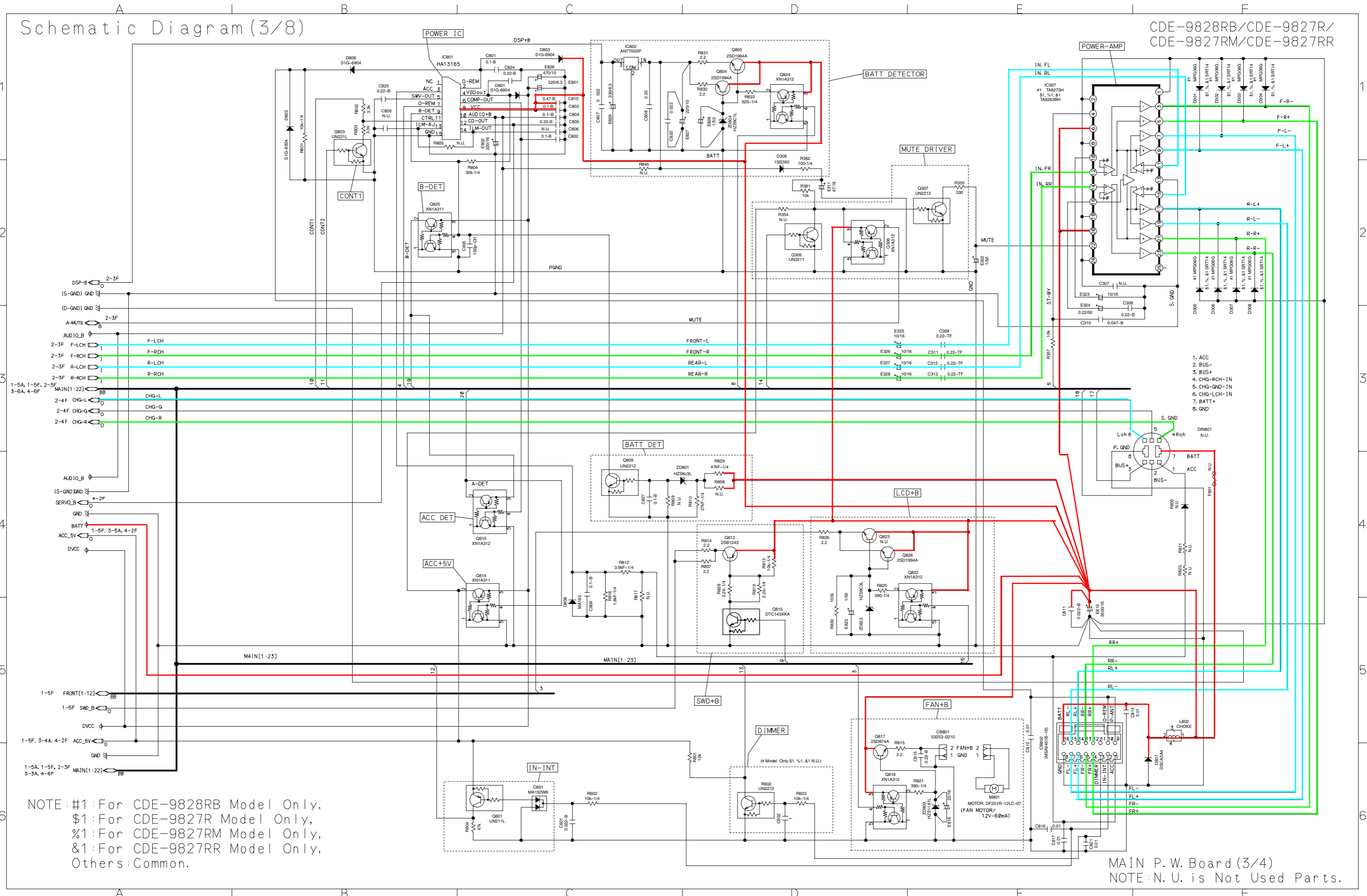
MAIN P. W. Board (2/4)
NOTE : N. U. is Not Used Parts.

- 3-5A A-MUTE
- 3-5A F-LCH
- 3-3A 0 R-LCH
- 3-3A 0 F-RCH
- 3-3A 0 R-RCH
- 3-3A 0 R-RCH
- 0 MAIN[1:22]
- 3-2A BB
- Φ AUDIO_B
- Φ GND (D-GND)
- Φ GND (S-GND)
- CHG-L CHG-L 3-3A
- CHG-G CHG-G 3-3A
- CHG-R CHG-R 3-3A

- JK302 ASSY.CONN NLT1661
- TP201 FRONT Lch W201
- TP202 FRONT Rch W202
- TP203 REAR Lch W203
- TP204 S-GND W204
- TP205 REAR Rch W205
- 1 SUB_W_Rch
- 2 S-GND
- 3 SUB_W_Lch

Schematic Diagram (3/8)

CDE-9828RB/CDE-9827R/
CDE-9827RM/CDE-9827RR



- DSP-B 2-3F
- (S-GND) GND
- (D-GND) GND
- A-MUTE 2-3F
- AUDIO_B
- 2-3F F-LCH
- 2-3F F-RCH
- 2-3F R-LCH
- 2-3F R-RCH
- 1-5A, 1-5F, 2-3F MAIN[1:22]
- 2-4F CHG-L
- 2-4F CHG-L
- 2-4F CHG-G
- 2-4F CHG-R
- AUDIO_B
- (S-GND) GND
- SERVO_B 4-2F
- GND
- BATT 1-5F, 3-5A, 4-2F
- ACC_BV
- DVCC
- 1-5F FRONT[1:12]
- 1-5F SWD_B
- DVCC
- 1-5F, 3-4A, 4-2F ACC_BV
- GND
- 1-5A, 1-5F, 2-3F MAIN[1:22]
- 3-5A, 4-6F

1. ACC
2. BUS-
3. BUS+
4. CHG-RCH-IN
5. CHG-GND-IN
6. CHG-LCH-IN
7. BATT+
8. GND

NOTE: #1: For CDE-9828RB Model Only,
\$1: For CDE-9827R Model Only,
%1: For CDE-9827RM Model Only,
&1: For CDE-9827RR Model Only,
Others: Common.

MAIN P.W. Board (3/4)
NOTE: N. U. is Not Used Parts.

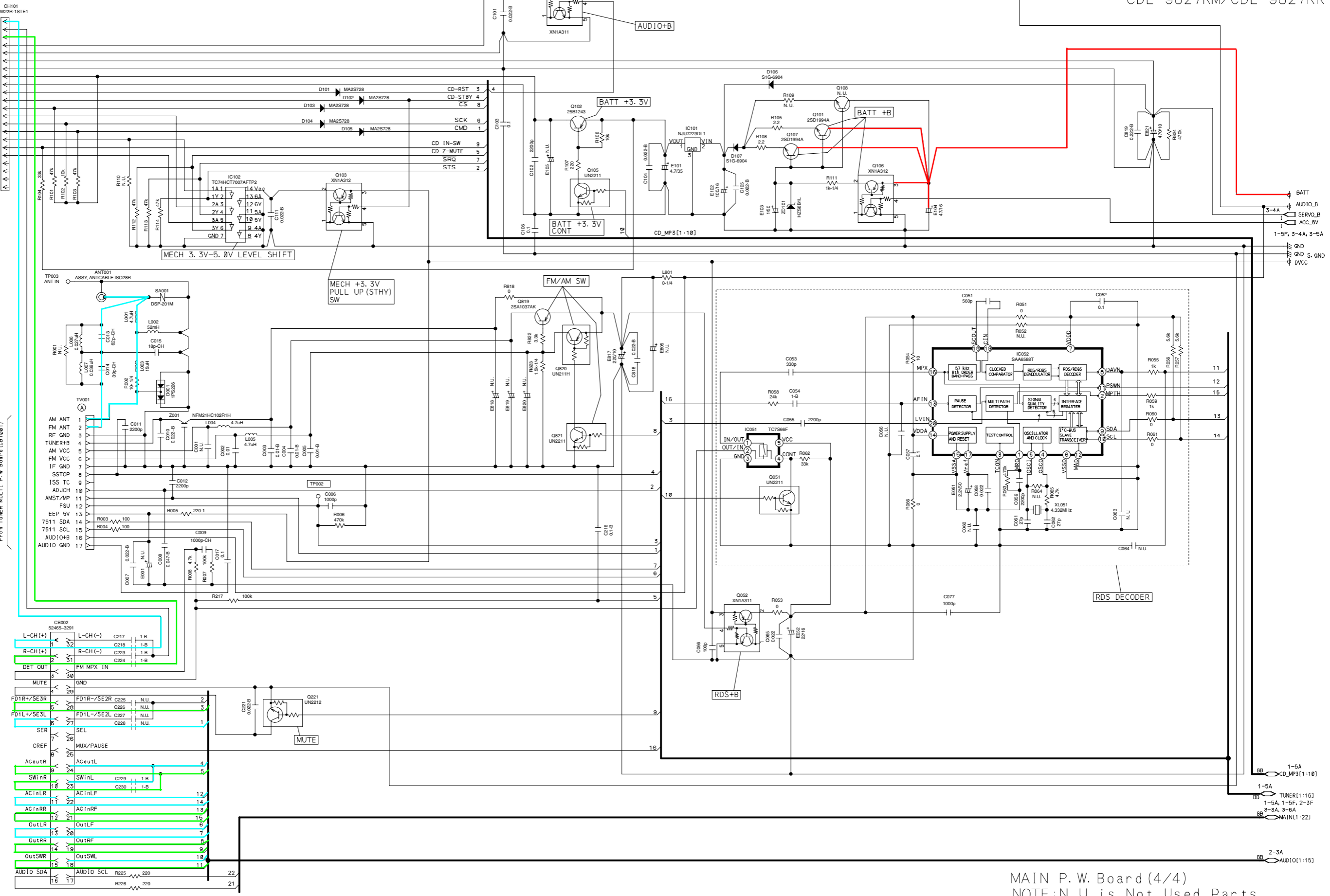
Schematic Diagram (4/8)

CDE-9828RB/CDE-9827R/
CDE-9827RM/CDE-9827RR

To DP-S MAIN P. W. Board (CB101)

From TUNER MULTI P. W. Board (CB1001)

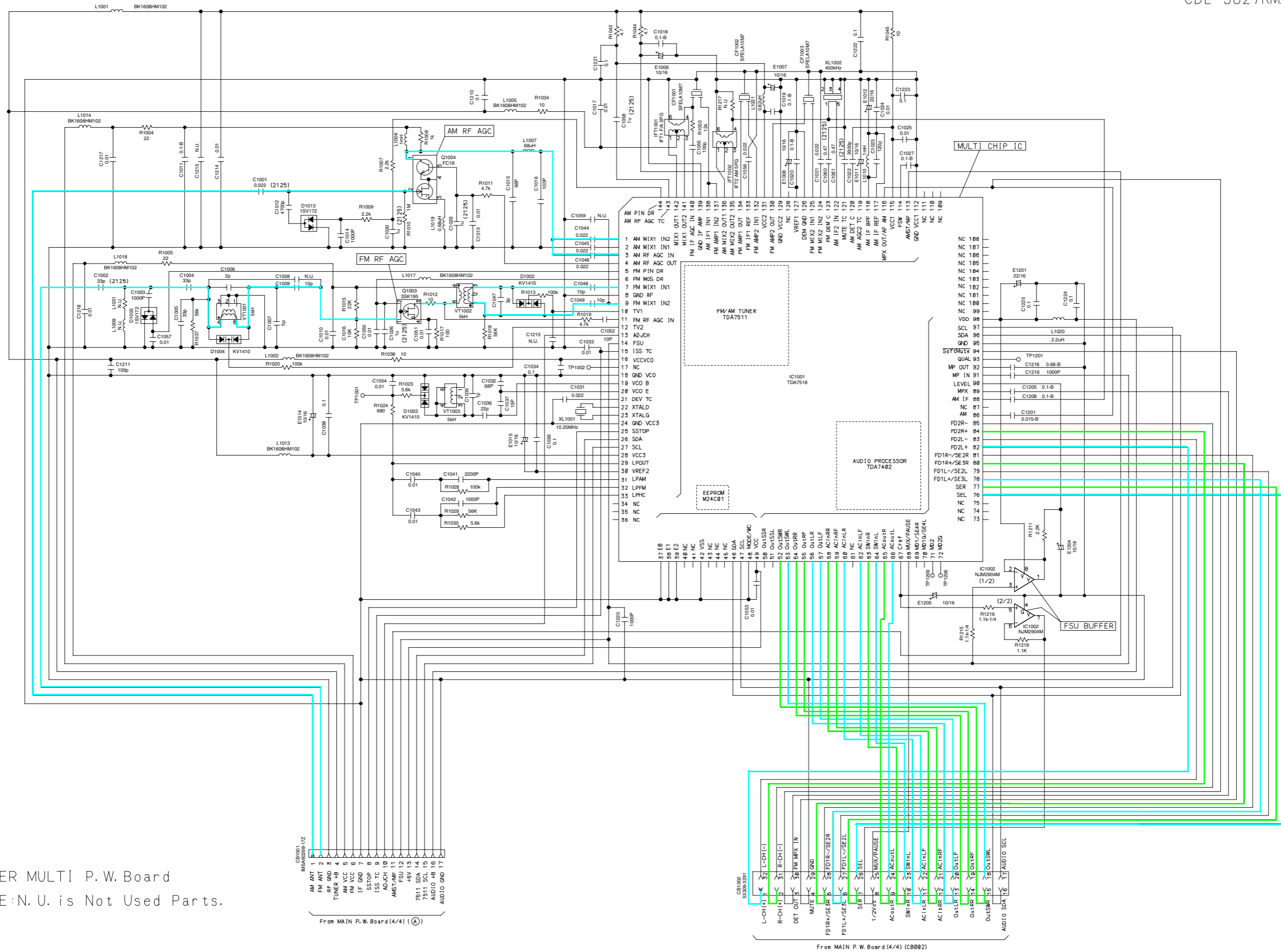
From TUNER MULTI P. W. Board (CB1002)



MAIN P. W. Board (4/4)
NOTE: N. U. is Not Used Parts.

Schematic Diagram (5/8)

CDE-9828RB/CDE-9827R/
CDE-9827RM/CDE-9827RR



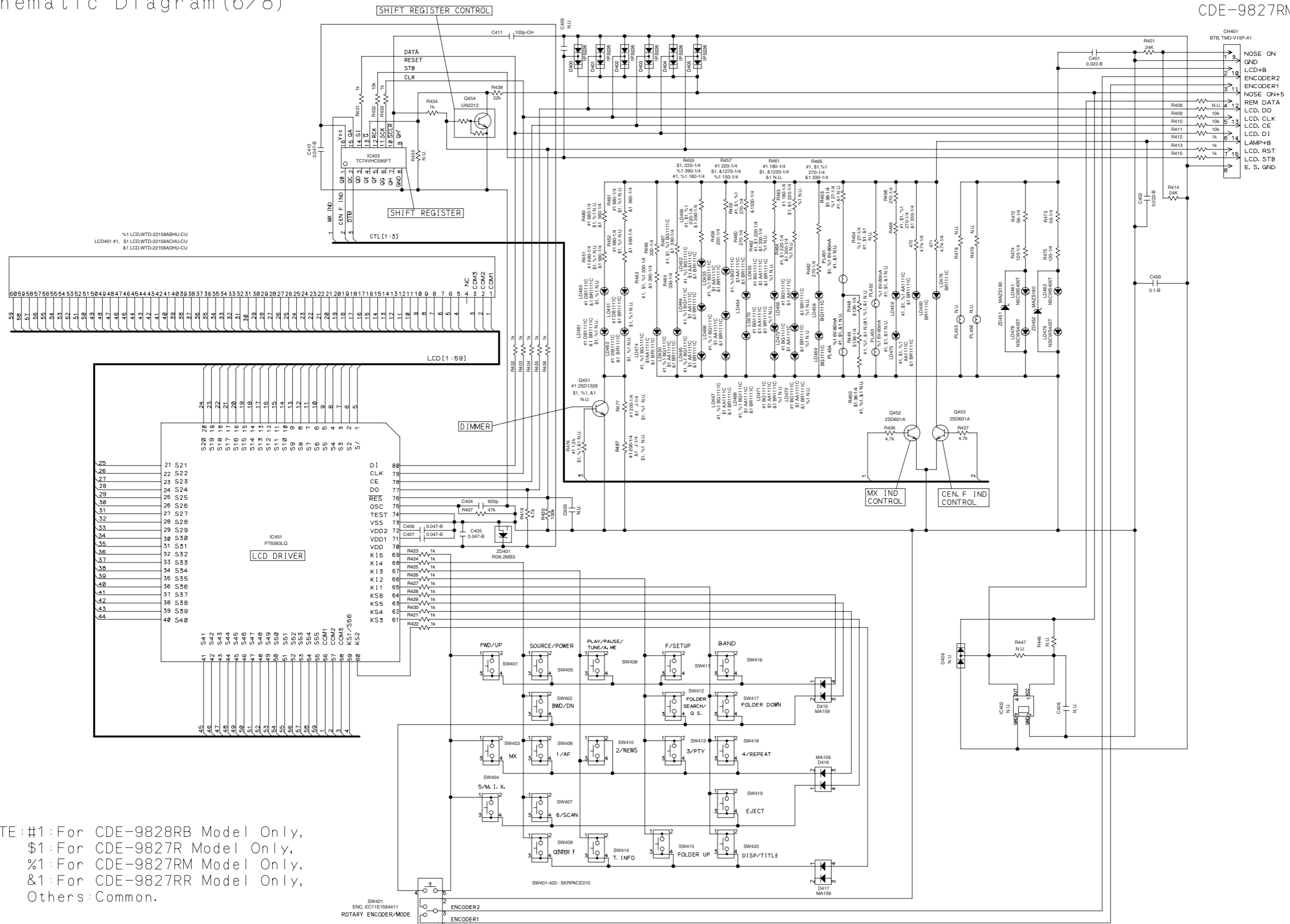
TUNER MULTI P.W. Board
NOTE: N. U. is Not Used Parts.

From MAIN P.W. Board (4/4) (A)

From MAIN P.W. Board (4/4) (CB002)

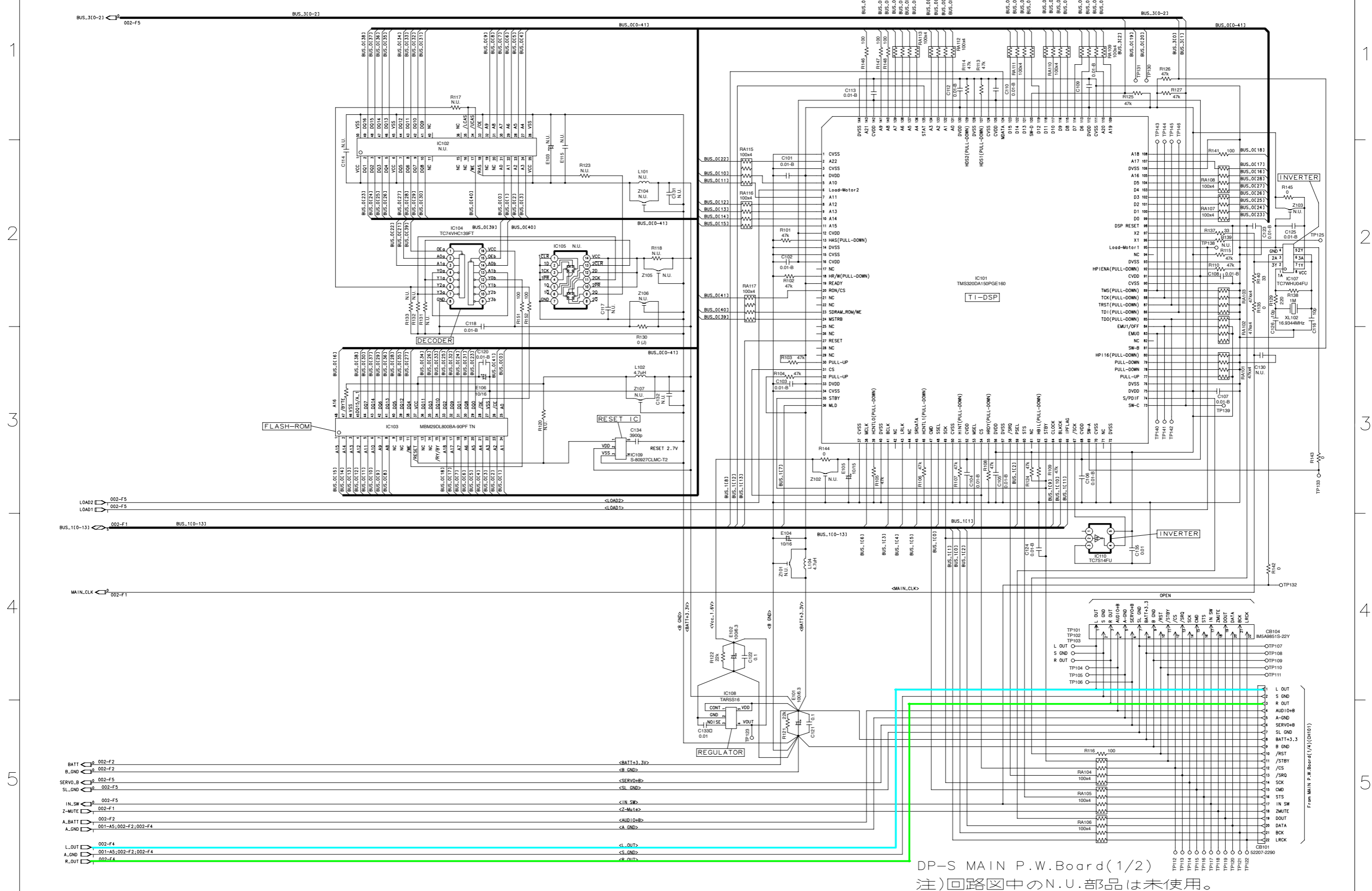
Schematic Diagram (6/8)

CDE-9828RB/CDE-9827R/
CDE-9827RM/CDE-9827RR



To MAIN P.W. Board (1/4) (CB901)

NOTE: #1: For CDE-9828RB Model Only,
\$1: For CDE-9827R Model Only,
%1: For CDE-9827RM Model Only,
&1: For CDE-9827RR Model Only,
Others: Common.



DP-S MAIN P.W.Board(1/2)
 注)回路図中のN.U.部品は未使用。

1

1

2

2

3

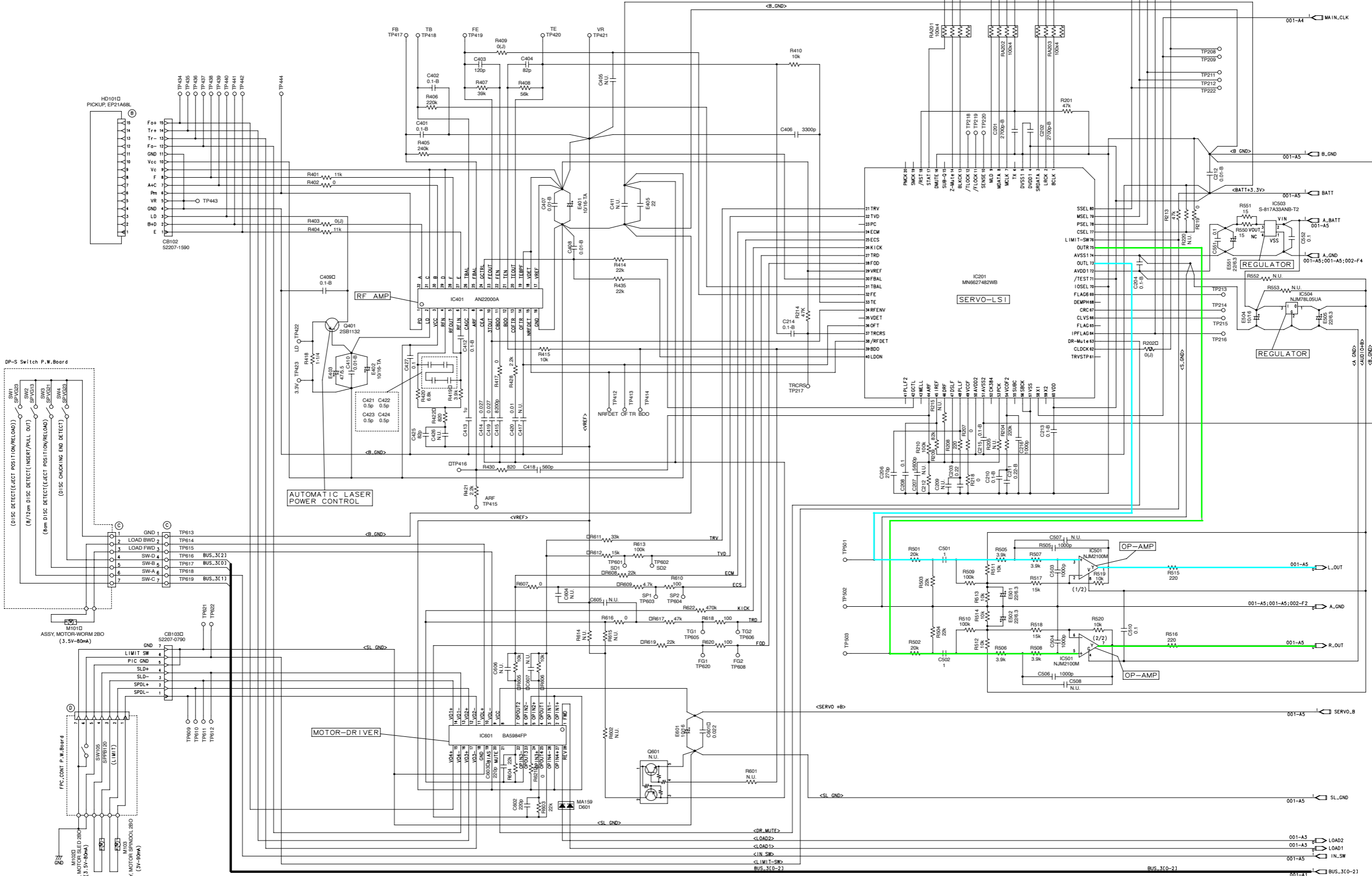
3

4

4

5

5



DP-S MAIN P.W.Board(2/2)
 注)回路図中のN.U.部品は未使用。

Terminal Voltage of IC/TR

IC051	
1	3.06
2	3.06
3	0
4	4.84
5	4.86

IC052			
1	0	11	PS
2	PS	12	0
3	0	13	PS
4	PS	14	4.86
5	PS	15	0
6	0	16	3.06
7	4.86	17	2.39
8	PS	18	2.38
9	PS	19	2.38
10	PS	20	PS

IC101		
1	3.30	
2	5.05/6.24	TUNE, POW OFF/CD
3	0	

IC102					
1	PS		8	NC	
2	PS		9	0	
3	PS		10	NC	
4	PS		11	0	
5	3.23/0	ZERO MUTE ON/OFF	12	NC	
6	4.95/0	ZERO MUTE ON/OFF	13	0	
7	0		14	0/4.95	TUNE/CD

IC201							
1	0	21	2.48	41	NC	61	0
2	4.96	22	NC	42	NC	62	NC
3	PS	23	2.35	43	0	63	NC
4	PS	24	0	44	NC	64	NC
5	0	25	2.45	45	0	65	2.46
6	NC	26	2.45	46	0	66	2.46
7	0	27	2.45	47	NC	67	2.46
8	2.46	28	4.96	48	NC	68	2.48
9	2.46	29	NC	49	4.94	69	2.46
10	NC	30	2.43	50	4.96	70	2.46
11	2.46	31	NC	51	NC	71	2.46
12	NC	32	2.44	52	0	72	2.48
13	4.96	33	2.44	53	PS	73	NC
14	2.46	34	NC	54	PS	74	0
15	2.46	35	0	55	NC	75	NC
16	NC	36	NC	56	NC	76	2.48
17	2.46	37	4.96	57	NC	77	NC
18	0	38	0	58	4.94	78	4.96
19	NC	39	0	59	0	79	2.48
20	2.48	40	NC	60	0	80	NC

**CDE-9828RB/CDE-9827R/
CDE-9827RM/CDE-9827RR**

IC301			
1	4.23	5	4.23
2	4.23	6	4.23
3	4.23	7	4.23
4	0	8	8.58

IC302			
1	4.23	5	4.23
2	4.23	6	4.23
3	4.23	7	4.23
4	0	8	8.58

IC307				
1	0		14	1.39
2	0		15	1.39
3	7.02		16	1.34
4	4.95/0	PWR IC ON/OFF	17	7.21
5	7.19		18	0
6	14.4		19	7.02
7	7.02		20	14.4
8	0		21	7.21
9	7.20		22	4.1
10	8.48		23	7.02
11	1.41		24	0
12	1.40		25	NC
13	0			

IC401							
1	PS	21	PS	41	PS	61	PS
2	PS	22	PS	42	PS	62	PS
3	PS	23	PS	43	PS	63	PS
4	PS	24	PS	44	PS	64	PS
5	PS	25	PS	45	PS	65	PS
6	PS	26	PS	46	PS	66	PS
7	PS	27	PS	47	PS	67	PS
8	PS	28	PS	48	PS	68	PS
9	PS	29	PS	49	PS	69	PS
10	PS	30	PS	50	PS	70	4.96
11	PS	31	PS	51	PS	71	3.22
12	PS	32	PS	52	PS	72	1.65
13	PS	33	PS	53	PS	73	0
14	PS	34	PS	54	PS	74	PS
15	PS	35	PS	55	PS	75	4.82
16	PS	36	PS	56	PS	76	4.86
17	PS	37	PS	57	PS	77	PS
18	PS	38	PS	58	PS	78	PS
19	PS	39	PS	59	PS	79	PS
20	PS	40	PS	60	PS	80	PS

IC403					
1	4.95/0	CEN.F IND ON/OFF	9	NC	
2	0/4.95	DIMMER ON/OFF	10	4.40	
3	NC		11	PS	
4	NC		12	PS	
5	NC		13	0	
6	NC		14	PS	
7	NC		15	4.95/0	MX IND ON/OFF
8	0		16	4.96	

**CDE-9828RB/CDE-9827R/
CDE-9827RM/CDE-9827RR**

IC501					
1	NC		52	4.93/0	IN-INT ON/OFF
2	PS	OEM ST-CONT ON	53	4.95/0	PWR ON/OFF
3	NC		54	4.94/0	FAN ON/OFF
4	NC		55	#1 4.95/0	IN DIMMER ON/OFF
5	NC			\$1,%1,&1 4.95	
6	0		56	4.94/0	DF ON/OFF
7	0		57	4.95	
8	NC		58	4.95/0	ZERO MUTE ON/OFF
9	NC		59	PS	
10	4.92		60	4.94	
11	PS		61	PS	
12	0		62	0	
13	PS		63	NC	
14	4.94		64	NC	
15	4.94		65	4.96	
16	4.93/0	B-DET ON/OFF	66	NC	
17	4.92/0	ACC ON/OFF	67	NC	
18	4.93/0	B-DET ON/OFF	68	NC	
19	NC		69	NC	
20	0/4.91	TUNE/CD	70	NC	
21	99mV		71	NC	
22	NC		72	NC	
23	0		73	0/4.93	TUNE/CD
24	0/4.94	TUNE/CD	74	0/4.95	TUNE/CD
25	0/4.94	TUNE/CD	75	4.92/0	TUNE/CD
26	NC		76	4.95	
27	0		77	4.95	
28	NC		78	PS	
29	4.96		79	PS	
30	4.95		80	4.94	
31	NC		81	4.95	TUNER
32	NC		82	NC	
33	0/PS	TUNE/CD	83	4.86	
34	0/PS	TUNE/CD	84	4.85/0	TUNE/CD
35	0/PS	TUNE/CD	85	PS	
36	PS		86	PS	
37	4.94/0	DF ON/OFF	87	4.72	
38	NC		88	3.30	
39	4.94		89	0	
40	4.93/0	DF ON/OFF	90	113mV	
41	4.95		91	3.10	
42	PS		92	PS	
43	PS		93	PS	
44	PS		94	0	
45	4.97		95	2.48	
46	4.96		96	4.94	
47	NC		97	4.94	
48	4.96/0	PWR IC ON/OFF	98	NC	
49	4.97/0	PWR ON/OFF	99	NC	
50	4.93/0	FM/AM	100	NC	
51	4.93/0	A-MUTE ON/OFF			

NOTE : #1 : For CDE-9828RB Model Only, \$1 : For CDE-9827R Model Only,
%1 : For CDE-9827RM Model Only, &1 : For CDE-9827RR Model Only, Others : Common.

**CDE-9828RB/CDE-9827R/
CDE-9827RM/CDE-9827RR**

IC560	
1	4.95
2	4.94
3	0
4	NC
5	2.60

IC802		
1	8.61/0	DSP ON/OFF
2	0	
3	4.98/0	DSP ON/OFF

IC801					
1	NC		9	1.86	
2	12.8/0	PWR ON/OFF	10	8.58/0	PWR ON/OFF
3	4.22		11	2.42/4.78	TUNE/CD
4	5.68		12	0/7.10	TUNE/CD
5	5.22/0	PWR ON/OFF	13	1.30	
6	5.18		14	10/0	PWR ON/OFF
7	4.88/0	PWR ON/OFF	15	0	
8	14.4				

IC1001-1					
1	0/2.36	FM/AM	34	NC	
2	0/2.36	FM/AM	35	NC	
3	0/2.35	FM/AM	36	NC	
4	0/PS	FM/AM	37	0	
5	0		38	0	
6	7.87		39	0	
7	2.03/0	FM/AM	40	NC	
8	0		41	NC	
9	2.03/0	FM/AM	42	0	
10	PS		43	NC	
11	0.77		44	NC	
12	PS		45	NC	
13	0.12/PS	Receiving/Others	46	PS	
14	PS		47	PS	
15	0/PS	Receiving/Others	48	0	
16	8.25		49	4.93	
17	PS		50	NC	
18	0		51	NC	
19	3.83		52	PS	
20	3.35		53	PS	
21	3.26/4.30	FM/AM	54	PS	
22	PS		55	PS	
23	PS		56	PS	
24	0		57	PS	
25	3.20/0	Receiving/Others	58	PS	
26	PS		59	PS	
27	PS		60	PS	
28	8.27		61	NC	
29	PS		62	PS	
30	2.54		63	PS	
31	2.54		64	PS	
32	2.54		65	PS	
33	2.53		66	PS	

**CDE-9828RB/CDE-9827R/
CDE-9827RM/CDE-9827RR**

IC1001-2					
67	4.16		106	NC	
68	PS/4.16	Receiving/Others	107	NC	
69	NC		108	NC	
70	NC		109	NC	
71	4.13		110	NC	
72	4.14		111	NC	
73	NC		112	0	
74	NC		113	0	
75	NC		114	PS	
76	PS		115	8.17	
77	PS		116	PS/3.13	TUNE/Others
78	PS		117	3.81	
79	PS		118	PS/3.78	AM Receiving/Others
80	PS		119	3.11	
81	PS		120	PS/2.81	AM Receiving/Others
82	PS		121	2.87	
83	PS		122	3.87	
84	PS		123	2.58	
85	PS		124	4.30	
86	PS/4.11	TUNE/Others	125	PS/4.31	Receiving/Others
87	NC		126	0	
88	PS		127	5.07	
89	PS		128	NC	
90	PS		129	0	
91	PS		130	PS/3.92	Receiving/Others
92	PS		131	7.95	
93	NC		132	PS/1.92	FM Receiving/Others
94	3.63		133	1.92	
95	0		134	PS/3.95	FM Receiving/Others
96	PS		135	PS/8.20	AM Receiving/Others
97	PS		136	PS/8.20	AM Receiving/Others
98	8.40		137	1.92	
99	NC		138	1.92	
100	NC		139	0	
101	NC		140	3.66	
102	NC		141	8.21	
103	NC		142	8.21	
104	NC		143	6.95/3.75	FM/AM
105	NC		144	0.37/0.28	MW/LW

IC1002				
1	PS	Receiving	5	4.15
2	PS	Receiving	6	4.15
3	PS	Receiving	7	4.15
4	0		8	8.38

Ref. No.	1	2	3	4	5	6	NOTE
Q301	0	0	0/PS	14.0/0	0	14.0/0	MUTE ON/OFF
Q302	0	0	0/PS	14.0/0	0	14.0/0	MUTE ON/OFF
Q304	0	0	0/PS	14.0/0	0	14.0/0	MUTE ON/OFF

**CDE-9828RB/CDE-9827R/
CDE-9827RM/CDE-9827RR**

Ref. No.	E	C	B	NOTE
Q051	0	0	4.94	
Q101	5.42	14.3	5.96	
Q102	3.30	0/3.30	3.30/2.65	TUNE/CD
Q105	0	3.31/0	0/4.93	TUNE/CD
Q107	5.42	14.3	5.96	
Q221	0	0	4.92	
Q305	0	4.10/0	0/4.92	MUTE ON/OFF
Q307	0	0/4.30	4.10/0	MUTE ON/OFF
#1 Q451	0	0/2.43	4.95/0	DIMMER ON/OFF
Q452	0	0/9.85	4.92/0	MX IND ON/OFF
Q453	0	0/9.85	4.92/0	CEN.F IND ON/OFF
Q454	0	0	4.95	
Q582	0	0/4.68	4.91/0	REMO ON/OFF
Q601	4.91	4.91/0	0.9/4.90	IN INT ON/OFF
#1 Q602	0	0/4.90	14.0/0	DIMMER ON/OFF
Q803	0	0/4.75	4.14/0	TUNE/CD
Q804	8.80/0	14.2	9.42/0	DSP ON/OFF
Q805	8.80/0	14.2	9.42/0	DSP ON/OFF
Q809	0	1.85/0	0/1.86	Standard/Over Load Voltage
Q813	14.1	14.0/0	13.6	PWR ON/OFF
Q815	0	0/14.1	4.90/0	PWR ON/OFF
Q817	9.30/0	14.2	9.86/0	FAN ON/OFF
Q819	8.56	8.56	0	
Q820	8.56	8.56	0	
Q821	0	0/8.50	4.90/0	FM/AM
Q826	9.23/0	14.2	9.84/0	LCD ON/OFF

NOTE : #1 : CDE-9828RB Model Only, Others : Common.

Ref. No.	1	2	3	4	NOTE
Q1003	2.51/0.64	7.91/7.87	7.92/2.05	0.87/0	FM/AM

Ref. No.	1	2	3	4	5	NOTE
Q052	NC	4.92	4.96	8.56	0	
Q103	NC	0/4.90	4.92	0/4.86	0	TUNE ON/OFF
Q104	NC	0/8.49	8.56	0/4.86	0	TUNE ON/OFF
Q106	NC	14.0	14.3	5	0	
Q306	NC	14.0/0	14.3	4.10/0	0	MUTE ON/OFF
Q505	NC	4.95/0	4.97	4.95/0	0	NOSE ON/OFF
Q810	NC	4.95/0	4.96/0	5.10	0	B-DET ON/OFF
Q814	NC	4.96/0	4.98	4.95/0	0	A-DET ON/OFF
Q818	NC	14.1/0	14.2	4.92/0	0	FAN ON/OFF
Q822	NC	14.0/0	14.3	4.92/0	0	LCD ON/OFF
Q824	NC	14.0/0	14.3	4.92/0	0	DSP ON/OFF
Q825	NC	4.96/0	4.98	1.82/0	0	Standard/Over Load Voltage
Q1004	0.23/7.68	0/0	0/0	0/2.76	0/2.88	FM/AM

[Measuring Conditions]

- 1.Power Supply Voltage : DC14.4V
- 2.Measuring Meter : Digital Multi Meter
- 3.Measuring Point Reference : Between GND
- 4.Measuring Condition : FM : 98.1MHz
MW : 999KHz
LW : 216KHz
CD : at playing Disc

**CDE-9828RB/CDE-9827R/
CDE-9827RM/CDE-9827RR**

(CD Deck Mechanism)

IC101											
1	L	25	H	49	H	73	L	97	PS	121	L
2	L	26	H	50	L	74	L	98	H	122	L
3	L	27	H	51	H	75	H	99	L	123	L
4	H	28	H	52	1.6	76	L	100	L	124	PS
5	L	29	H	53	PS	77	H	101	L	125	1.6
6	L	30	H	54	H	78	L	102	L	126	L
7	L	31	H	55	H	79	L	103	L	127	2.5
8	L	32	H	56	H	80	L	104	L	128	L
9	L	33	H	57	L	81	L	105	H	129	2.5
10	L	34	L	58	H	82	L	106	L	130	H
11	L	35	H	59	1.6	83	H	107	H	131	L
12	1.6	36	H	60	L	84	H	108	H	132	L
13	2.5	37	L	61	H	85	L	109	L	133	L
14	L	38	H	62	2.5	86	2.5	110	L	134	H
15	L	39	2.5	63	H	87	L	111	L	135	PS
16	H	40	L	64	H	88	2.5	112	H	136	H
17	H	41	PS	65	L	89	2.5	113	L	137	H
18	2.5	42	L	66	PS	90	L	114	L	138	L
19	H	43	PS	67	L	91	1.6	115	L	139	L
20	H	44	L	68	1.6	92	L	116	L	140	L
21	H	45	L	69	L	93	L	117	L	141	L
22	H	46	2.5	70	L	94	H	118	L	142	1.6
23	H	47	L	71	L	95	L	119	L	143	L
24	H	48	PS	72	L	96	PS	120	H	144	L

IC103											
1	H	9	L	17	H	25	L	33	L	41	L
2	H	10	L	18	L	26	H	34	L	42	L
3	H	11	H	19	L	27	L	35	L	43	L
4	H	12	H	20	H	28	H	36	L	44	L
5	L	13	L	21	H	29	L	37	H	45	L
6	L	14	L	22	H	30	L	38	L	46	L
7	L	15	L	23	L	31	L	39	L	47	H
8	L	16	H	24	L	32	L	40	L	48	H

IC104			
1	H	9	H
2	L	10	H
3	L	11	H
4	H	12	H
5	H	13	H
6	H	14	H
7	H	15	H
8	L	16	H

IC107	
1	PS
2	PS
3	H
4	L
5	L
6	PS
7	PS
8	H

IC108	
1	H
2	L
3	1.25
4	1.6
5	H

IC109	
1	H
2	H
3	L
4	L
5	L

IC110	
1	L
2	H
3	L
4	L
5	H

**CDE-9828RB/CDE-9827R/
CDE-9827RM/CDE-9827RR**

IC201									
1	PS	17	L	33	1.6	49	L	65	PS
2	PS	18	L	34	1.6	50	H	66	L
3	L	19	PS	35	L	51	L	67	L
4	H	20	L	36	L	52	PS	68	L
5	L	21	1.6	37	1.6	53	PS	69	L
6	L	22	1.6	38	L	54	1.4	70	L
7	L	23	H	39	L	55	PS	71	H
8	H	24	1.6	40	L	56	L	72	H
9	L	25	1.6	41	L	57	L	73	1.6
10	L	26	1.6	42	1.6	58	PS	74	L
11	L	27	1.6	43	L	59	PS	75	1.6
12	H	28	1.6	44	1.6	60	H	76	H
13	L	29	1.6	45	1	61	H	77	L
14	L	30	1.6	46	L	62	PS	78	L
15	L	31	1.6	47	1.6	63	L	79	PS
16	L	32	1.6	48	L	64	PS	80	PS

IC401							
1	L	9	1.6	17	1.65	25	1.65
2	2.76	10	1.6	18	1.65	26	1.65
3	H	11	2.12	19	1.65	27	1.65
4	1.6	12	L	20	1.65	28	1.65
5	1.6	13	1.9	21	1.65	29	1.65
6	2.5	14	L	22	1.65	30	1.65
7	0.78	15	H	23	1.65	31	1.65
8	1.7	16	L	24	0.86	32	1.65

IC501			
1	2.5	5	2.5
2	2.5	6	2.5
3	2.5	7	2.5
4	L	8	5

IC503	
1	L
2	8
3	3.3
4	L

IC504	
1	5
2	L
3	8

IC601							
1	1.65	8	7	15	H	22	1.65
2	L	9	L	16	H	23	1.65
3	1.65	10	L	17	H	24	1.65
4	1.65	11	H	18	H	25	1.65
5	1.65	12	H	19	L	26	1.65
6	1.65	13	H	20	L	27	1.65
7	1.65	14	H	21	L	28	L

	E	C	B
Q401	3.3	L	3.12

[Measuring Conditions]

1. Power Supply Voltage : DC14.4V
2. Measuring Meter : Digital Multi Voltmeter
3. Measuring Point Reference : Between GND
4. Measuring Condition : at playing Disc

Description of IC Terminal

M30626FHPGP : IC501

No.	Symbol	I/O	Terminal Description
1	NC	-	No connect terminal.
2	REMOCON DATA	I	Remote control input terminal.
3	NC	-	No connect terminal.
4			
5			
6	GND(BYTE)	-	GND terminal.
7	GND(CNVss)		
8	32.768kHz(NC)	-	No connect terminal.
9			
10	$\overline{\text{RESET}}$	I	System RESET input terminal.
11	6MHz	O	Crystal OSC connect terminal for main system clock OSC.
12	GND	-	GND terminal.
13	6MHz	I	Crystal OSC connect terminal for main system clock OSC.
14	VCC	-	Power supply terminal.
15	NMI	-	Pull-up connect terminal.
16	8V-DET	I	8V ON detection input terminal.
17	ACC-DET	I	ACC ON detection signal input terminal.
18	BATT-DET	I	BATT ON detection signal input terminal.
19	NC	-	No connect terminal.
20	V-CONT(BATT 3.3V CONT)	O	CD BATT 3.3V power supply control signal output terminal.
21	AMSD	O	SEEK STOP detection input terminal at AM. (H:Station ON)
22	NC	-	No connect terminal.
23	PULL-DOWN	-	Pull-down connect terminal.
24	$\overline{\text{CD RST}}$	O	System RESET output terminal to CD u-COM. (Set up L at initialized.)
25	CD STBY	O	Active stand-by request signal output terminal to CD u-COM.
26	NC	-	No connect terminal.
27	PULL-DOWN	-	Pull-down connect terminal.
28	NC	-	No connect terminal.
29	RDS MON TXD	O	RDS Monitor output terminal.
30	RDS MON RXD	I	RDS Monitor input terminal.
31	NC	-	No connect terminal.
32			
33	CD CMD	O	Serial DATA output terminal to CD Mechanism.
34	CD STS	I	Serial DATA input terminal from CD Mechanism.
35	CD SCK	O	CD SCK output terminal.
36	LCD CE	O	Chip enable signal output terminal to LCD Driver.
37	LCD INH	O	INH signal output terminal to LCD Driver.
38	NC	-	No connect terminal.
39	NC(PULL-UP)	-	Pull-up connect terminal.
40	NOSE PWR	O	NOSE around power supply control signal output terminal.
41	LCD STB	O	Shift register signal output terminal.
42	LCD DO	O	Serial DATA signal output terminal to LCD Driver.
43	LCD DI	I	Serial DATA signal input terminal from LCD Driver.
44	LCD CLK	O	Serial clock signal output terminal to LCD Driver.
45	ENCODER2	I	Encoder-2 input terminal.
46	ENCODER1	I	Encoder-1 input terminal.
47	NC	-	No connect terminal.
48	PWR IC ON	O	POWER-IC stand-by control signal output terminal.

**CDE-9828RB/CDE-9827R/
CDE-9827RM/CDE-9827RR**

No.	Symbol	I/O	Terminal Description
49	POWER CONT	O	Power supply control signal output terminal for AUDIO/lighting.
50	FM/AM	O	TUNER (FM/AM) power supply control signal output terminal. (H:FM, L:AM)
51	A-MUTE	O	A-MUTE signal output terminal.
52	IN INT	I	Outernal interrupt signal input terminal. (at interrupt:H)
53	P-ANT	O	Outernal PWR ANT control signal output terminal.
54	FAN CONT	O	FAN control output terminal.
55	#1 IN DIMMER	I	Outernal DIMMER detection signal input terminal.
	\$1,%1,&1 PULL-UP	-	Pull up connect terminal.
56	BL LED	O	LED control signal output terminal for LCD backlight.
57	DSP ON	O	DSP-IC ON control output terminal.
58	ZERO DET	I	0 Bit MUTE signal input terminal from CD u-COM.
59	IIC-DATA	I/O	I2C serial DATA input/output terminal.
60	VCC	-	Power supply terminal.
61	IIC-CLK	O	I2C serial clock output terminal.
62	GND	-	GND terminal.
63	NC	-	No connect terminal.
64			
65	XRST(DSP)	O	RESET signal output terminal to DSP-IC.
66	NC	-	No connect terminal.
71			
72			
73	CD SRQ	I	Status transmission request/1 byte communication permission signal input terminal.
74	CD CS	O	Packet communication control signal output terminal.
75	CONT2	O	System Regulator IC control signal output terminal.
76	CONT1		
77	AUTO ADJ	I	TUNER auto adjustment control signal output terminal.
78	7511 SCL	O	Serial clock output terminal to 7511.
79	7511 SDA	O	Serial DATA output terminal to 7511.
80	IF MUTE	O	MUTE switching signal output terminal. (H:MUTE ON, L:MUTE OFF)
81	RDS CONT	O	RDS MPX control output terminal.
82	NC	-	No connect terminal.
83	DAVN	I	RDS Decoder DATA Available input terminal.
84	PSWN	I	RDS PAUSE input terminal.
85	RDS SDA	O	Serial DATA output terminal to RDS Decoder.
86	RDS SCL	O	Serial clock output terminal to RDS Decoder.
87	HI-TEMP	I	CD HI-TEMP input terminal.
88	DISC IN	I	CD DISC-IN detection signal input terminal.
89	MPTH	I	Multipath input terminal.
90	ADJCH-DET	I	Adjoining rejection DC LEVEL input terminal.
91	AFC	I	FM detection input terminal.
92	SSTOP	I	TUNER SEEK STOP signal input terminal.
93	S-METER	I	FM/AM TUNER signal level signal input terminal.
94	GND	-	GND terminal of A/D Converter.
95	NOSE DET	I	NOSE detachable detection terminal.
96	VCC	I	Standard voltage input terminal of A/D Converter.
97		I	Power supply input terminal of A/D Converter.
98	NC	-	No connect terminal.
99			
100			

NOTE : #1 : For CDE-9828RB Model Only, \$1 : For CDE-9827R Model Only,
%1 : For CDE-9827RM Model Only, &1 : For CDE-9827RR Model Only, Others : Common.

**CDE-9828RB/CDE-9827R/
CDE-9827RM/CDE-9827RR**

TMS320DA150PGE160 : IC101

No.	Symbol	I/O	Terminal Description
1	CVSS	-	GND connect terminal.
2	A22	O	External program address terminal.
3	CVSS	-	GND connect terminal.
4	DVDD	-	Power supply terminal. (+3.3V)
5	A10	O	External program address terminal.
6	Load-Motor2	O	LOAD motor control terminal.
7	A11	O	External program address terminal.
8	A12		
9	A13		
10	A14		
11	A15		
12	CVDD	-	Power supply terminal. (+1.6V)
13	HAS(PULL-DOWN)	-	Pull-down connect terminal.
14	DVSS	-	GND connect terminal. (+3.3V)
15	CVSS	-	GND connect terminal. (+1.6V)
16	CVDD	-	Power supply terminal. (+3.3V)
17	NC	-	No connect terminal.
18	HR/W(PULL-DOWN)	-	Pull-down connect terminal.
19	READY	-	DVDD connect terminal.
20	RON/CS	O	External program chip selection signal terminal.
21	NC	-	No connect terminal.
22	NC		
23	SDRAM_ROM/WE	O	External program read / write signal terminal.
24	NSTRB	O	External program memory strobe signal terminal.
25	NC	-	No connect terminal.
26	NC		
27	RESET	O	The RESET request signal terminal to SERVO-LSI.
28	NC	-	No connect terminal.
29	NC		
30	PULL-UP	-	Pull-up connect terminal.
31	CS	I	EPF-BUS2 communication CS signal terminal.
32	PULL-UP	-	Pull-up connect terminal.
33	DVDD	-	Power supply terminal. (+3.3V)
34	CVSS	-	GND connect terminal. (+1.6V)
35	STBY	I	EPF-BUS2 communication STBY signal terminal.
36	MLD	O	SERVO-LSI control communication Command load signal terminal.
37	CVSS	-	GND connect terminal. (+1.6V)
38	MCLK	O	SERVO-LSI control communication Command clock signal terminal.
39	HCNTL0(PULL-DOWN)	-	Pull-down connect terminal.
40	DVSS	-	GND connect terminal.
41	BCLK	I	BCLK input signal terminal.
42	NC	-	No connect terminal.
43	LRLK	I	LRCLK input signal terminal.
44	NC	-	No connect terminal.
45	SRDATA	I	SRDATA input signal terminal.
46	HCNTL1(PULL-DOWN)	-	Pull-down connect terminal.
47	CMD	I	EPF-BUS2 communication CMD signal terminal.

**CDE-9828RB/CDE-9827R/
CDE-9827RM/CDE-9827RR**

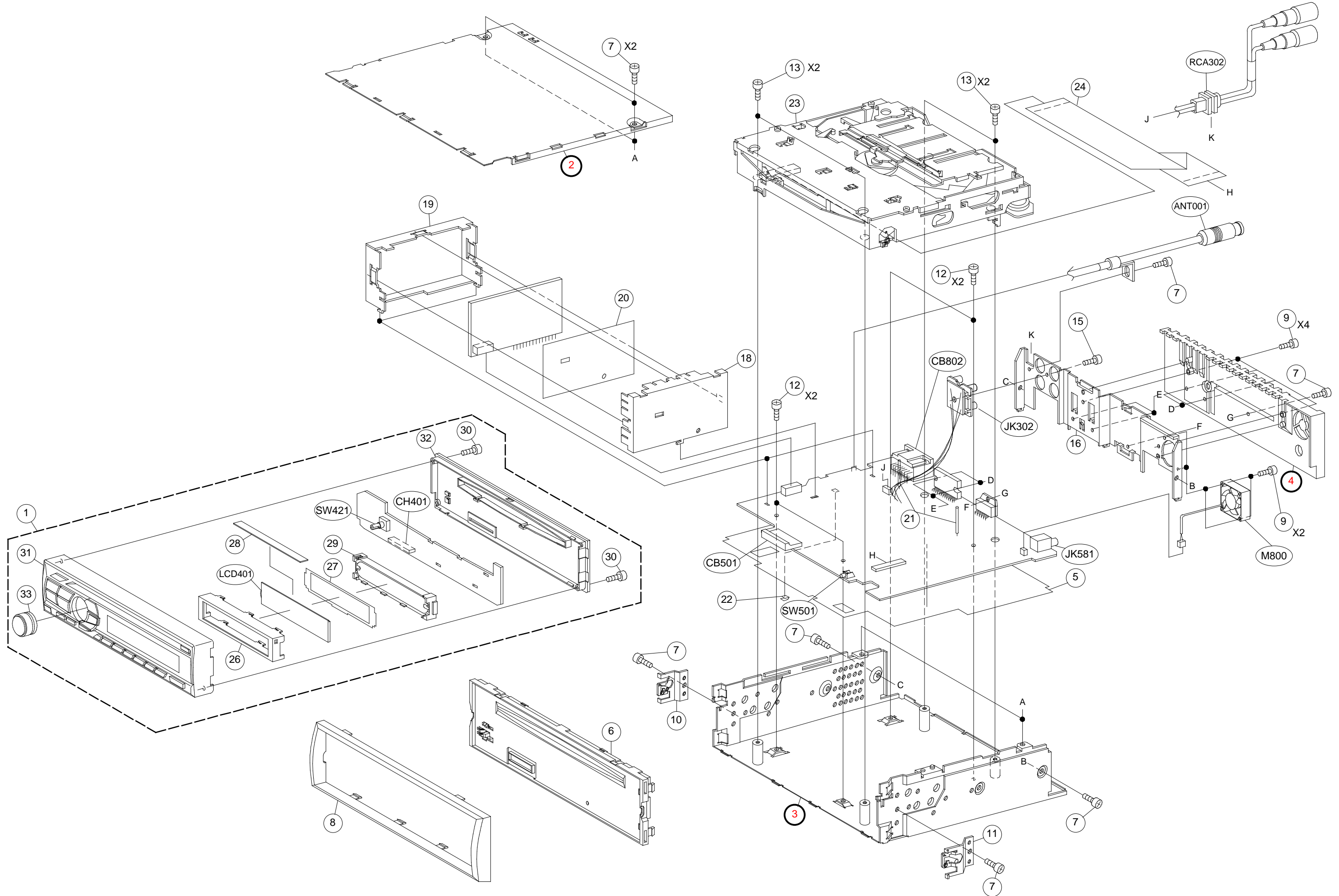
No.	Symbol	I/O	Terminal Description
48	SSEL	O	BCLK output signal terminal.
49	SCK	I	PF-BUS2 communication SCK signal terminal.
50	CVSS	-	GND connect terminal. (+1.6V)
51	HINT(PULL-DOWN)	-	Pull-down connect terminal.
52	CVDD	-	Power supply terminal. (+1.6V)
53	MSEL	O	LRCLK output signal terminal. (LR polarity, SMCK fixation)
54	CS	I	EPF-BUS2 communication CS signal terminal.
55	HRDY(PULL-DOWN)	-	Pull-down connect terminal.
56	DVDD	-	Power supply terminal. (+3.3V)
57	DVSS	-	GND connect terminal. (+3.3V)
58	/SRQ	O	EPF-BUS2 communication SRQ signal terminal.
59	PSEL	O	SRDATA output terminal.
60	STS	O	EPF-BUS2 communication STS signal terminal.
61	NC	-	No connect terminal.
62	HBIL(PULL-DOWN)	-	Pull-down connect terminal.
63	STBY	I	STBY demand signal terminal.
64	CLOCK	I	Sub code frame clock signal terminal. (fCLDCK=7.35kHz)
65	BLKCK	I	Sub code block clock signal terminal. (fBLDCK=75Hz)
66	IPFLAG	I	Interpolation flag signal input terminal. (H : Interpolation)
67	/SCK	I	EPF-BUS2 communication Logic reversal signal terminal of SCK.
68	CVDD	-	Power supply terminal. (+1.6V)
69	SW-A	I	DISC position detection SW-A input terminal.
70	CVSS	-	GND connect terminal. (+1.6V)
71	NC	-	No connect terminal.
72	DVSS	-	GND connect terminal. (+3.3V)
73	SW-C	I	DISC position detection SW-C input terminal.
74	S/PDIF	O	Digital. data (SPDIF) output terminal.
75	DVDD	-	Power supply terminal. (+3.3V)
76	DVSS	-	GND connect terminal. (+3.3V)
77	PULL-UP	-	Pull-up connect terminal.
78	PULL-DOWN	-	Pull-down connect terminal.
79	PULL-DOWN		
80	HPI16(PULL-DOWN)		
81	SW-B		DISC position detection SW-B input terminal.
82	NC	-	No connect terminal.
83	EMU0	I	Emulator terminal.
84	EMU1/OFF		
85	TDO(PULL-DOWN)	-	Pull-down connect terminal.
86	TDI(PULL-DOWN)		
87	TRST(PULL-DOWN)		
88	TCK(PULL-DOWN)		
89	TMS(PULL-DOWN)		
90	CVSS	-	GND connect terminal. (+1.6V)
91	CVDD	-	Power supply terminal. (+1.6V)
92	HPIENA(PULL-DOWN)	-	Pull-down connect terminal.
93	DVSS	-	GND connect terminal. (+3.3V)
94	NC	-	No connect terminal.
95	Load-Motor1	O	LOAD motor control terminal.

**CDE-9828RB/CDE-9827R/
CDE-9827RM/CDE-9827RR**

No.	Symbol	I/O	Terminal Description
96	X1(NC)	-	No connect terminal.
97	X2	I	Clock connect terminal.
98	DSP RESET	I	EPF-BUS2 communication RESET signal terminal.
99	D0	I/O	External program data terminal.
100	D1		
101	D2		
102	D3		
103	D4		
104	D5		
105	A16	O	External program address terminal.
106	DVSS	-	GND connect terminal.
107	A17	O	External program address terminal.
108	A18		
109	A19		
110	A20		
111	CVSS	-	GND connect terminal.
112	DVDD	-	Power supply terminal. (+3.3V)
113	D6	I/O	External program data terminal.
114	D7		
115	D8		
116	D9		
117	D10		
118	D11		
119	D12		
120	SW-D	I	DISC position detection SW-D input terminal.
121	D13	I/O	External program data terminal.
122	D14		
123	D15		
124	MDATA	O	SERVO-LSI control communication Command data signal terminal.
125	CVDD	-	Power supply terminal. (+1.6V)
126	CVSS	-	GND connect terminal.
127	HDS1(PULL-DOWN)	-	Pull-down connect terminal.
128	DVSS	-	GND connect terminal.
129	HDS2(PULL-DOWN)	-	Pull-down connect terminal.
130	DVDD	-	Power supply terminal. (+3.3V)
131	A0	O	External program address terminal.
132	A1		
133	A2		
134	A3		
135	STAT	I	SERVO-LSI control communication Status signal input terminal.
136	A4	O	External program address terminal.
137	A5		
138	A6		
139	A7		
140	A8		
141	A9		
142	CVDD	-	Power supply terminal. (+1.6V)
143	A21	O	External program address terminal.
144	DVSS	-	GND connect terminal.

Exploded View (Cabinet)

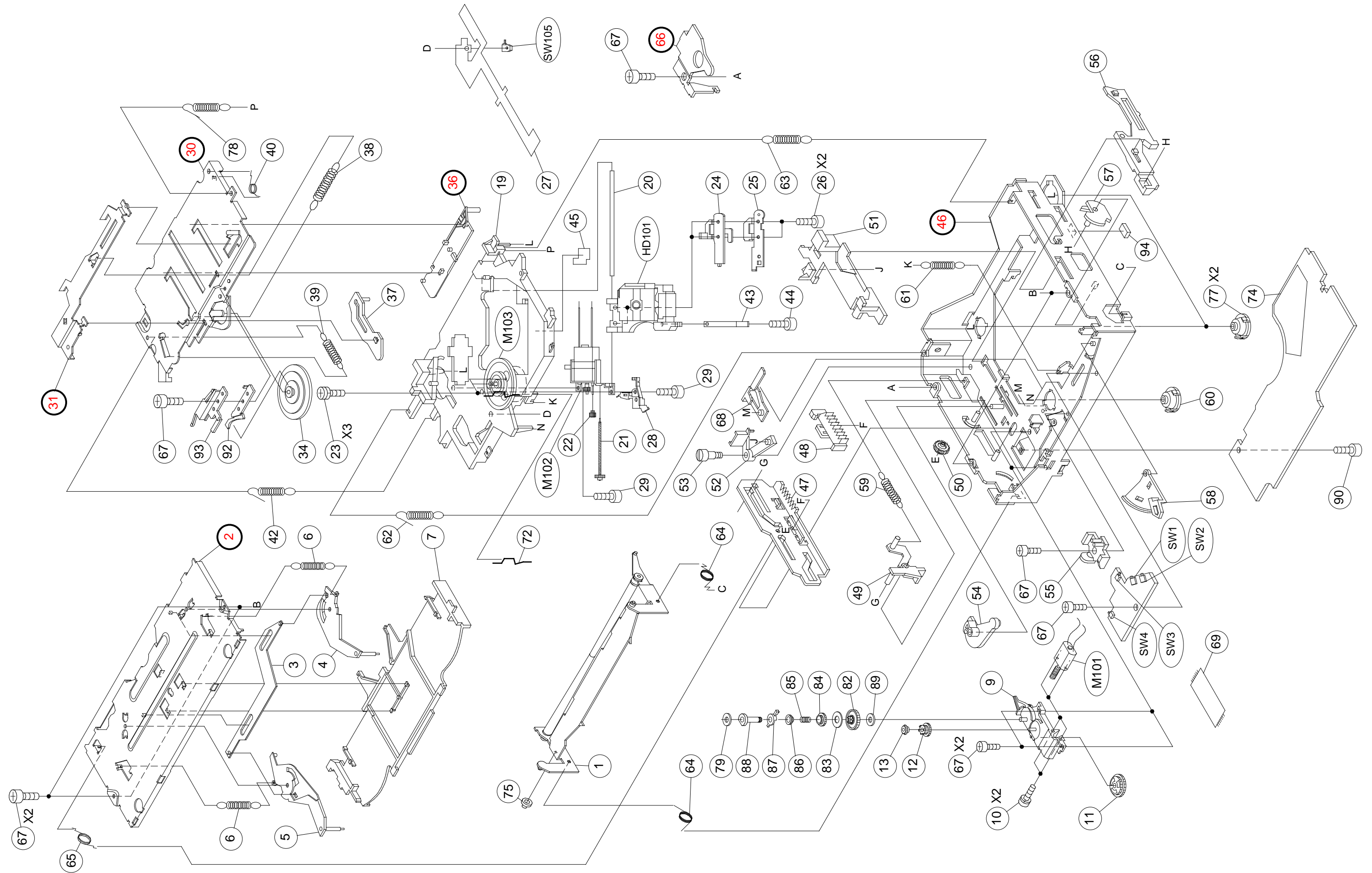
CDE-9828RB/CDE-9827R/
CDE-9827RM/CDE-9827RR



Exploded View (CD Deck Mechanism)

CDE-9828RB/CDE-9827R/
CDE-9827RM/CDE-9827RR

(DP23S27R)



Electrical Parts List

* Each parts on P.W.Board are described in order of the reference number.

NOTE : #1 : For CDE-9828RB Model Only, \$1 : For CDE-9827R Model Only,
%1 : For CDE-9827RM Model Only, &1 : For CDE-9827RR Model Only,
Others : Common.

=====MAIN P.W.Board

C002	08S45676W73	CAP,CER.103K-B1H -CP
C003	08S45676W73	CAP,CER.103K-B1H -CP
C004	08S45676W73	CAP,CER.103K-B1H -CP
C005	08S45676W73	CAP,CER.103K-B1H -CP
C006	08S45677W60	CAP,CER 102J-CH1H-CP
C007	08S45676W80	CAP,CER 223K-B1E -CP
C008	08S45676W89	CAP,CER 473K-B1E -CP
C009	08S45677W60	CAP,CER 102J-CH1H-CP
C010	08S45676W80	CAP,CER 223K-B1E -CP
C011	08S45676W65	CAP,CER.222K-B1H -CP
C012	08S45676W65	CAP,CER.222K-B1H -CP
C013	08S82122F32	CAP,CER.62RJ-CH1H-CP
C014	08S82122F27	CAP,CER.39RJ-CH1H-CP
C015	08S82122F19	CAP,CER.18RJ-CH1H-CP
C016	08S45676W85	CAP,CER 104K-B1C -CP
C017	08S45676W85	CAP,CER 104K-B1C -CP
C051	08S45677W54	CAP,CER 561J-CH1H-CP
C052	08S45676W85	CAP,CER 104K-B1C -CP
C053	08S45677W48	CAP,CER.331J-CH1H-CP
C054	08S65674Y05	CAP,CER 105KX5R1C-CP
C055	08S45676W65	CAP,CER.222K-B1H -CP
C057	08S45676W85	CAP,CER 104K-B1C -CP
C058	08S45676W80	CAP,CER 223K-B1E -CP
C059	08S45676W65	CAP,CER.222K-B1H -CP
C061	08S45677W22	CAP,CER.27RJ-CH1H-CP
C062	08S45677W22	CAP,CER.27RJ-CH1H-CP
C065	08S45676W80	CAP,CER 223K-B1E -CP
C066	08S45677W36	CAP,CER.101J-CH1H-CP
C077	08S45677W60	CAP,CER 102J-CH1H-CP
C101	08S45676W80	CAP,CER 223K-B1E -CP
C102	08S45676W65	CAP,CER.222K-B1H -CP
C103	08S45676W85	CAP,CER 104K-B1C -CP
C104	08S45676W80	CAP,CER 223K-B1E -CP
C105	08S45676W80	CAP,CER 223K-B1E -CP
C111	08S45676W80	CAP,CER 223K-B1E -CP
C203	08S45676W69	CAP,CER.472K-B1H -CP
C204	08S45676W65	CAP,CER.222K-B1H -CP
C205	08S45676W65	CAP,CER.222K-B1H -CP
C206	08S45676W85	CAP,CER 104K-B1C -CP
C207	08S45676W69	CAP,CER.472K-B1H -CP
C208	08S45676W85	CAP,CER 104K-B1C -CP
C209	08S45676W85	CAP,CER 104K-B1C -CP
C210	08S45676W85	CAP,CER 104K-B1C -CP
C211	08S45676W69	CAP,CER.472K-B1H -CP
C212	08S45677W12	CAP,CER.10RD-CH1H-CP
C213	08S45677W12	CAP,CER.10RD-CH1H-CP
C214	08S45676W85	CAP,CER 104K-B1C -CP

**CDE-9828RB/CDE-9827R/
CDE-9827RM/CDE-9827RR**

	C215	08S45676W69	CAP,CER.472K-B1H -CP
	C216	08S45676W85	CAP,CER 104K-B1C -CP
	C217	08S65676Y05	CAP,CER 105KX7R1E-CP
	C218	08S65676Y05	CAP,CER 105KX7R1E-CP
	C219	08S45676W85	CAP,CER 104K-B1C -CP
	C221	08S45676W80	CAP,CER 223K-B1E -CP
	C223	08S65676Y05	CAP,CER 105KX7R1E-CP
	C224	08S65676Y05	CAP,CER 105KX7R1E-CP
	C229	08S65676Y05	CAP,CER 105KX7R1E-CP
	C230	08S65676Y05	CAP,CER 105KX7R1E-CP
	C243	08S35349Y08	CAP,CER 102K-B1H -CP
	C244	08S45677W60	CAP,CER 102J-CH1H-CP
	C255	08S45677W60	CAP,CER 102J-CH1H-CP
	C308	08S65667Y01	CAP,CER 224KX5R1C-CP
	C309	08T25628Y03	CAP,TF 224M-1C -CP
	C310	08S45676W83	CAP,CER 473K-B1C -CP
	C311	08T25628Y03	CAP,TF 224M-1C -CP
	C312	08T25628Y03	CAP,TF 224M-1C -CP
	C313	08T25628Y03	CAP,TF 224M-1C -CP
	C317	08S72783F23	CAP,CP .101-J-CH
	C503	08S45676W73	CAP,CER.103K-B1H -CP
	C504	08S45677W22	CAP,CER.27RJ-CH1H-CP
	C505	08S45677W22	CAP,CER.27RJ-CH1H-CP
	C506	08S45676W80	CAP,CER 223K-B1E -CP
	C560	08S35374W01	CAP,CER 104K-B1E-CP
	C561	08S65128F90	CAP,CER 473K-B1H -CP
	C582	08S35374W01	CAP,CER 104K-B1E-CP
	C583	08S45676W65	CAP,CER.222K-B1H -CP
	C584	08S45677W36	CAP,CER.101J-CH1H-CP
	C601	08S45676W80	CAP,CER 223K-B1E -CP
#1	C602	08S65674Y05	CAP,CER 105KX5R1C-CP
	C801	08S45676W85	CAP,CER 104K-B1C -CP
	C802	08S45676W85	CAP,CER 104K-B1C -CP
	C803	08S45676W85	CAP,CER 104K-B1C -CP
	C804	08S45676W85	CAP,CER 104K-B1C -CP
	C805	08S65667Y01	CAP,CER 224KX5R1C-CP
	C807	08S45676W80	CAP,CER 223K-B1E -CP
	C808	08S65669Y01	CAP,CER 334KX7R1E-CP
	C809	08S45676W85	CAP,CER 104K-B1C -CP
	C810	08S60102F44	CAP,CER 474K-B1E -CP
	C811	08S65128F78	CAP,CER.223K-B1H -CP
	C812	08S45539Y04	CAP,CER 103KX7R2J-CP
	C814	08S45539Y04	CAP,CER 103KX7R2J-CP
	C815	08S65667Y01	CAP,CER 224KX5R1C-CP
	C816	08S45539Y04	CAP,CER 103KX7R2J-CP
	C817	08S45539Y04	CAP,CER 103KX7R2J-CP
	C818	08S45676W80	CAP,CER 223K-B1E -CP
	C819	08S45676W80	CAP,CER 223K-B1E -CP
	C820	08S45676W80	CAP,CER 223K-B1E -CP
	C821	08S45539Y04	CAP,CER 103KX7R2J-CP
	C824	08S65667Y01	CAP,CER 224KX5R1C-CP
	C825	08S65667Y01	CAP,CER 224KX5R1C-CP
	C827	08S45676W85	CAP,CER 104K-B1C -CP
	C835	08S45677W36	CAP,CER.101J-CH1H-CP
	CB002	09T03497K32	BTB,52465-3291 -E9
	CB302	09T03498K03	WTB,53253-0310 -DB
	CB801	09T03498K02	WTB,53253-0210 -DB

**CDE-9828RB/CDE-9827R/
CDE-9827RM/CDE-9827RR**

CH101	09T25261Y22	FFC,SFW22R-1STE1	-EQ	
D001	48T85357W01	DIO,1PS226	-CP	
D101	48T45701Y01	DIO,MA2S728-TX	-CP	
D102	48T45701Y01	DIO,MA2S728-TX	-CP	
D103	48T45701Y01	DIO,MA2S728-TX	-CP	
D104	48T45701Y01	DIO,MA2S728-TX	-CP	
D105	48T45701Y01	DIO,MA2S728-TX	-CP	
D106	48T25593Y01	DIO,S1G-6904	-E1	
D107	48T25593Y01	DIO,S1G-6904	-E1	
#1	D301	48T85270W01	DIO,MPG06G	-A5
\$1	D301	48T02162K01	DIO,SHT SRT14	-A5
%1	D301	48T02162K01	DIO,SHT SRT14	-A5
&1	D301	48T02162K01	DIO,SHT SRT14	-A5
#1	D302	48T85270W01	DIO,MPG06G	-A5
\$1	D302	48T02162K01	DIO,SHT SRT14	-A5
%1	D302	48T02162K01	DIO,SHT SRT14	-A5
&1	D302	48T02162K01	DIO,SHT SRT14	-A5
#1	D303	48T85270W01	DIO,MPG06G	-A5
\$1	D303	48T02162K01	DIO,SHT SRT14	-A5
%1	D303	48T02162K01	DIO,SHT SRT14	-A5
&1	D303	48T02162K01	DIO,SHT SRT14	-A5
#1	D304	48T85270W01	DIO,MPG06G	-A5
\$1	D304	48T02162K01	DIO,SHT SRT14	-A5
%1	D304	48T02162K01	DIO,SHT SRT14	-A5
&1	D304	48T02162K01	DIO,SHT SRT14	-A5
#1	D305	48T85270W01	DIO,MPG06G	-A5
\$1	D305	48T02162K01	DIO,SHT SRT14	-A5
%1	D305	48T02162K01	DIO,SHT SRT14	-A5
&1	D305	48T02162K01	DIO,SHT SRT14	-A5
#1	D306	48T85270W01	DIO,MPG06G	-A5
\$1	D306	48T02162K01	DIO,SHT SRT14	-A5
%1	D306	48T02162K01	DIO,SHT SRT14	-A5
&1	D306	48T02162K01	DIO,SHT SRT14	-A5
#1	D307	48T85270W01	DIO,MPG06G	-A5
\$1	D307	48T02162K01	DIO,SHT SRT14	-A5
%1	D307	48T02162K01	DIO,SHT SRT14	-A5
&1	D307	48T02162K01	DIO,SHT SRT14	-A5
#1	D308	48T85270W01	DIO,MPG06G	-A5
\$1	D308	48T02162K01	DIO,SHT SRT14	-A5
%1	D308	48T02162K01	DIO,SHT SRT14	-A5
&1	D308	48T02162K01	DIO,SHT SRT14	-A5
	D309	48T25665Y01	DIO,1SS355-TE17	-CP
	D317	48T85357W01	DIO,1PS226	-CP
	D601	48T25651W02	DIO,MA152WK-TX	-CP
	D801	48T25593Y01	DIO,S1G-6904	-E1
	D802	48T25593Y01	DIO,S1G-6904	-E1
	D803	48T25593Y01	DIO,S1G-6904	-E1
	D806	48T44813F03	DIO,MA165	-R5
	D807	48T68580F03	DIO,SI DSA3A4-F5	
	D808	48T25593Y01	DIO,S1G-6904	-E1
	E051	23S45639Y23	CAP,ELY 2R2-1H	-R2
	E052	23S55039Y03	CAP,ELY 22R-1C	-R2
	E101	23S45639Y13	CAP,ELY 4R7-1V	-R2
	E102	23S45639Y10	CAP,ELY 101-1C	-R2
	E103	23S45639Y22	CAP,ELY 1R0-1H	-R2
	E104	23S45639Y09	CAP,ELY 47R-1C	-R2
	E201	23S65134W32	CAP,ELY 22R-1C(5)	-E3

**CDE-9828RB/CDE-9827R/
CDE-9827RM/CDE-9827RR**

E202	23S45639Y24	CAP,ELY 3R3-1H	-R2
E203	23S45639Y13	CAP,ELY 4R7-1V	-R2
E204	23S65134W32	CAP,ELY 22R-1C(5)-E3	
E205	23S45639Y13	CAP,ELY 4R7-1V	-R2
E206	23S65134W12	CAP,ELY 47R-0J(5)-E3	
E207	23S45639Y24	CAP,ELY 3R3-1H	-R2
E208	23S65134W12	CAP,ELY 47R-0J(5)-E3	
E209	23S45639Y24	CAP,ELY 3R3-1H	-R2
E210	23S65134W14	CAP,ELY 221-0J(8)-E6	
E211	23S45639Y24	CAP,ELY 3R3-1H	-R2
E212	23S65134W34	CAP,ELY 47R-1C(6)-E6	
E213	23S65134W34	CAP,ELY 47R-1C(6)-E6	
E214	23S65134W34	CAP,ELY 47R-1C(6)-E6	
E215	23S65134W12	CAP,ELY 47R-0J(5)-E3	
E303	23S45639Y24	CAP,ELY 3R3-1H	-R2
E305	23S55039Y14	CAP,ELY 2R2-1H	-R2
E308	23S55039Y14	CAP,ELY 2R2-1H	-R2
E310	23S55039Y14	CAP,ELY 2R2-1H	-R2
E311	23S45639Y09	CAP,ELY 47R-1C	-R2
E314	23S55039Y14	CAP,ELY 2R2-1H	-R2
E319	23S55039Y14	CAP,ELY 2R2-1H	-R2
E321	23S55039Y14	CAP,ELY 2R2-1H	-R2
E322	23S45639Y22	CAP,ELY 1R0-1H	-R2
E323	23S95415W03	CAP,ELY 10R-1C	-R2
E324	23S95415W14	CAP,ELY R22-1H	-R2
E325	23S65134W80	CAP,ELY 10R-1C(3)-E2	
E326	23S65134W80	CAP,ELY 10R-1C(3)-E2	
E327	23S65134W80	CAP,ELY 10R-1C(3)-E2	
E328	23S65134W80	CAP,ELY 10R-1C(3)-E2	
E502	23S45639Y03	CAP,ELY 331-0J	-R2
E503	23S45639Y08	CAP,ELY 22R-1C	-R2
E801	23S55039Y01	CAP,ELY 221-0J	-R2
E802	23T95564W30	CAP,FC 221-1C-G	-EA
E815	23T75346W03	CAP,X-PRO 332-1C	+
E816	23S45639Y08	CAP,ELY 22R-1C	-R2
E817	23S45639Y06	CAP,ELY 221-1A	-R2
E821	23T55378W03	CAP,KMG 471-1A	-R2
E823	23S45639Y22	CAP,ELY 1R0-1H	-R2
E826	23S95415W02	CAP,ELY 471-1A	-R2
E827	23S45639Y06	CAP,ELY 221-1A	-R2
E828	23S45639Y22	CAP,ELY 1R0-1H	-R2
E829	23S45639Y03	CAP,ELY 331-0J	-R2
IC051	51T15731W10	TC7S66F-TE85L	-CP
IC052	51T15132Y02	SAA6588T	-SE9
IC101	51T55517Y02	NJU7223DL1-33TE1-NE5	
IC102	51T15362Y01	TC74HCT7007AFTP2-SE6	
IC201	51T45654Y02	TC94A04AFD-015	-QT
IC301	51T15420Y01	BA4560F-E2	-SE2
IC302	51T15420Y01	BA4560F-E2	-SE2
#1	IC307	TA8273H	-ZS
\$1	IC307	TA8263BH	-ZS
%1	IC307	TA8263BH	-ZS
&1	IC307	TA8263BH	-ZS
	IC501	MTP,M30626FHPGPXXXQT	
	IC560	S-80930CNMC-T2	-CP
	IC801	HA13165	-ZS
	IC802	AN7705SP-TX	-NE5

**CDE-9828RB/CDE-9827R/
CDE-9827RM/CDE-9827RR**

	L001	24T25164Y21	IND,FSLM2520 4R7J-CP
	L002	24T35286Y01	IND,MG56 523J -DB
	L003	24T16403W29	COI,IND.15R-M -CP
	L004	24T25164Y21	IND,FSLM2520 4R7J-CP
	L005	24T25164Y21	IND,FSLM2520 4R7J-CP
	L006	24T35401Y18	IND,HK1608 R027J -CP
	L007	24T35401Y20	IND,HK1608 R039J -CP
	L801	06S35095Y08	RES,RK JUMPER 1/4-CP
	L802	25T01879K01	CHOKE,LAT1608-105-DB
	Q051	48T64222F01	TR ,UN2211 10-10 -TX
	Q052	48T45594W16	TR,XN1A311-TX -CP
	Q101	48T93828F04	TR,2SD1994A-S-TA -RD
	Q102	48T84366F05	TR,2SB1243-R-TV2 -RD
	Q103	48T45594W12	TR ,XN1A312 -TX-CP
	Q104	48T45594W16	TR,XN1A311-TX -CP
	Q105	48T64222F01	TR ,UN2211 10-10 -TX
	Q106	48T45594W12	TR ,XN1A312 -TX-CP
	Q107	48T93828F04	TR,2SD1994A-S-TA -RD
	Q221	48T64222F02	TR ,UN2212 22-22 -TX
	Q301	48T25317Y01	TR,XN0F256-TX -CP
	Q302	48T25317Y01	TR,XN0F256-TX -CP
	Q304	48T25317Y01	TR,XN0F256-TX -CP
	Q305	48T64222F01	TR ,UN2211 10-10 -TX
	Q306	48T45594W12	TR ,XN1A312 -TX-CP
	Q307	48T64222F02	TR ,UN2212 22-22 -TX
	Q505	48T45594W16	TR,XN1A311-TX -CP
	Q582	48T64222F01	TR ,UN2211 10-10 -TX
#1	Q601	48T64221F11	TR,UN211L-TX -CP
	Q602	48T64222F02	TR ,UN2212 22-22 -TX
	Q803	48T64222F12	TR,UN221L-TX -CP
	Q804	48T93828F04	TR,2SD1994A-S-TA -RD
	Q805	48T93828F04	TR,2SD1994A-S-TA -RD
	Q809	48T64222F02	TR ,UN2212 22-22 -TX
	Q810	48T45594W12	TR ,XN1A312 -TX-CP
	Q813	48T84366F04	TR,2SB1243-QR-TV2-RD
	Q814	48T45594W16	TR,XN1A311-TX -CP
	Q815	48T62967F05	TR,DTC143XKA-T146-CP
	Q817	48T73023F01	TR ,2SD874A -E2
	Q818	48T45594W12	TR ,XN1A312 -TX-CP
	Q819	48T63420F04	TR,2SA1037AK-S146-CP
	Q820	48T64221F13	TR,UN211H-TX -CP
	Q821	48T64222F01	TR ,UN2211 10-10 -TX
	Q822	48T45594W12	TR ,XN1A312 -TX-CP
	Q824	48T45594W12	TR ,XN1A312 -TX-CP
	Q825	48T45594W16	TR,XN1A311-TX -CP
	Q826	48T93828F04	TR,2SD1994A-S-TA -RD
	R002	06S70072F05	RES,CP .10R-J-1/4-CP
	R003	06S45674W33	RES,RK 101J 1/10 -CP
	R004	06S45674W33	RES,RK 101J 1/10 -CP
	R005	06S70072F37	RES,CP .221-J-1/4-CP
	R006	06S45675W22	RES,RK 474J 1/10 -CP
	R007	06S45675W06	RES,RK 104J 1/10 -CP
	R008	06S45674W73	RES,RK 472J 1/10 -CP
	R051	06S45675W43	RES,RK JUMPER1/10-CP
	R053	06S64996F39	RES,RK JUMPER 1/8-CP
	R054	06S45674W09	RES,RK 10RJ 1/10 -CP
	R055	06S45674W57	RES,RK 102J 1/10 -CP

**CDE-9828RB/CDE-9827R/
CDE-9827RM/CDE-9827RR**

R056	06S45674W75	RES,RK 562J 1/10 -CP
R057	06S45674W75	RES,RK 562J 1/10 -CP
R058	06S45674W90	RES,RK 243J 1/10 -CP
R059	06S45674W57	RES,RK 102J 1/10 -CP
R060	06S45675W43	RES,RK JUMPER1/10-CP
R061	06S45675W43	RES,RK JUMPER1/10-CP
R062	06S45674W93	RES,RK 333J 1/10 -CP
R063	06S45675W22	RES,RK 474J 1/10 -CP
R065	06S45674W73	RES,RK 472J 1/10 -CP
R066	06S45675W43	RES,RK JUMPER1/10-CP
R101	06S45674W97	RES,RK 473J 1/10 -CP
R102	06S45674W81	RES,RK 103J 1/10 -CP
R103	06S45674W97	RES,RK 473J 1/10 -CP
R104	06S45674W93	RES,RK 333J 1/10 -CP
R105	06S45674W01	RES,RK 2R2J 1/10 -CP
R106	06S45674W81	RES,RK 103J 1/10 -CP
R107	06S45674W41	RES,RK 221J 1/10 -CP
R108	06S45674W01	RES,RK 2R2J 1/10 -CP
R111	06S70072F53	RES,CP .102-J-1/4-CP
R112	06S45674W97	RES,RK 473J 1/10 -CP
R113	06S45674W97	RES,RK 473J 1/10 -CP
R114	06S45674W97	RES,RK 473J 1/10 -CP
R201	06S45674W67	RES,RK 272J 1/10 -CP
R202	06S45674W67	RES,RK 272J 1/10 -CP
R203	06S45674W57	RES,RK 102J 1/10 -CP
R204	06S45674W89	RES,RK 223J 1/10 -CP
R205	06S45674W57	RES,RK 102J 1/10 -CP
R207	06S45674W89	RES,RK 223J 1/10 -CP
R208	06S45674W41	RES,RK 221J 1/10 -CP
R209	06S45674W57	RES,RK 102J 1/10 -CP
R210	06S45674W41	RES,RK 221J 1/10 -CP
R211	06S45674W57	RES,RK 102J 1/10 -CP
R213	06S45675W28	RES,RK 824J 1/10 -CP
R214	06S45675W30	RES,RK 105J 1/10 -CP
R215	06S45674W57	RES,RK 102J 1/10 -CP
R216	06S45674W57	RES,RK 102J 1/10 -CP
R217	06S45675W06	RES,RK 104J 1/10 -CP
R225	06S45674W41	RES,RK 221J 1/10 -CP
R226	06S45674W41	RES,RK 221J 1/10 -CP
R248	06S45674W57	RES,RK 102J 1/10 -CP
R249	06S45674W57	RES,RK 102J 1/10 -CP
R255	06S64996F39	RES,RK JUMPER 1/8-CP
R301	06S45674W58	RES,RK 112J 1/10 -CP
R302	06S45674W58	RES,RK 112J 1/10 -CP
R303	06S45674W58	RES,RK 112J 1/10 -CP
R304	06S45674W58	RES,RK 112J 1/10 -CP
R305	06S64995F37	RES,RK 221J 1/8 -CP
R309	06S64995F29	RES,RK 101J 1/8 -CP
R315	06S45674W99	RES,RK 563J 1/10 -CP
R316	06S45674W99	RES,RK 563J 1/10 -CP
R317	06S45674W99	RES,RK 563J 1/10 -CP
R318	06S45674W99	RES,RK 563J 1/10 -CP
R319	06S45674W99	RES,RK 563J 1/10 -CP
R320	06S64995F37	RES,RK 221J 1/8 -CP
R321	06S64995F29	RES,RK 101J 1/8 -CP
R322	06S45674W99	RES,RK 563J 1/10 -CP
R327	06S64995F29	RES,RK 101J 1/8 -CP

**CDE-9828RB/CDE-9827R/
CDE-9827RM/CDE-9827RR**

R328	06S64995F37	RES,RK 221J 1/8 -CP
R335	06S64995F29	RES,RK 101J 1/8 -CP
R341	06S64995F37	RES,RK 221J 1/8 -CP
R344	06S64995F37	RES,RK 221J 1/8 -CP
R345	06S64995F29	RES,RK 101J 1/8 -CP
R352	06S64995F29	RES,RK 101J 1/8 -CP
R353	06S64995F37	RES,RK 221J 1/8 -CP
R355	06S45674W45	RES,RK 331J 1/10 -CP
R357	06S45674W81	RES,RK 103J 1/10 -CP
R361	06S45674W81	RES,RK 103J 1/10 -CP
R362	06S70072F29	RES,CP .101-J-1/4-CP
R501	06S45674W97	RES,RK 473J 1/10 -CP
R502	06S45674W89	RES,RK 223J 1/10 -CP
R503	06S45675W06	RES,RK 104J 1/10 -CP
R508	06S45674W57	RES,RK 102J 1/10 -CP
R509	06S45674W89	RES,RK 223J 1/10 -CP
R510	06S45675W22	RES,RK 474J 1/10 -CP
R516	06S45674W97	RES,RK 473J 1/10 -CP
R517	06S45674W97	RES,RK 473J 1/10 -CP
R518	06S45674W89	RES,RK 223J 1/10 -CP
R522	06S45675W43	RES,RK JUMPER1/10-CP
R530	06S45674W73	RES,RK 472J 1/10 -CP
R531	06S45674W45	RES,RK 331J 1/10 -CP
R532	06S45674W45	RES,RK 331J 1/10 -CP
R533	06S45674W57	RES,RK 102J 1/10 -CP
R534	06S45674W57	RES,RK 102J 1/10 -CP
R535	06S45674W57	RES,RK 102J 1/10 -CP
R536	06S45674W57	RES,RK 102J 1/10 -CP
R537	06S45674W57	RES,RK 102J 1/10 -CP
R538	06S45674W81	RES,RK 103J 1/10 -CP
R539	06S45674W89	RES,RK 223J 1/10 -CP
R540	06S64995F53	RES,RK 102J 1/8 -CP
R541	06S64995F77	RES,RK 103J 1/8 -CP
R542	06S45674W33	RES,RK 101J 1/10 -CP
R543	06S64995F53	RES,RK 102J 1/8 -CP
R545	06S64995F53	RES,RK 102J 1/8 -CP
R546	06S64995F53	RES,RK 102J 1/8 -CP
R547	06S64995F53	RES,RK 102J 1/8 -CP
R548	06S64995F53	RES,RK 102J 1/8 -CP
R549	06S64995F53	RES,RK 102J 1/8 -CP
R550	06S45674W57	RES,RK 102J 1/10 -CP
R551	06S45674W57	RES,RK 102J 1/10 -CP
R552	06S45674W57	RES,RK 102J 1/10 -CP
R553	06S45674W57	RES,RK 102J 1/10 -CP
R554	06S45674W73	RES,RK 472J 1/10 -CP
R555	06S45674W57	RES,RK 102J 1/10 -CP
R557	06S45674W89	RES,RK 223J 1/10 -CP
R558	06S45674W81	RES,RK 103J 1/10 -CP
R559	06S45674W81	RES,RK 103J 1/10 -CP
R560	06S45674W57	RES,RK 102J 1/10 -CP
R561	06S45674W57	RES,RK 102J 1/10 -CP
R562	06S45674W33	RES,RK 101J 1/10 -CP
R563	06S45674W33	RES,RK 101J 1/10 -CP
R564	06S45674W57	RES,RK 102J 1/10 -CP
R565	06S45674W57	RES,RK 102J 1/10 -CP
R566	06S45674W57	RES,RK 102J 1/10 -CP
R567	06S45674W97	RES,RK 473J 1/10 -CP

**CDE-9828RB/CDE-9827R/
CDE-9827RM/CDE-9827RR**

	R568	06S15593Y77	RES,RK 153F 1/10 -CP
	R569	06S15593Y63	RES,RK 392F 1/10 -CP
	R570	06S15593Y83	RES,RK 273F 1/10 -CP
	R571	06S70072F63	RES,CP .272-J-1/4-CP
	R573	06S45675W43	RES,RK JUMPER1/10-CP
	R574	06S45674W43	RES,RK 271J 1/10 -CP
	R575	06S45674W43	RES,RK 271J 1/10 -CP
	R577	06S45675W43	RES,RK JUMPER1/10-CP
	R578	06S45674W33	RES,RK 101J 1/10 -CP
	R579	06S45674W89	RES,RK 223J 1/10 -CP
	R580	06S35095Y03	RES,RK 473J 1/4 -CP
	R582	06S45674W89	RES,RK 223J 1/10 -CP
	R584	06S45674W57	RES,RK 102J 1/10 -CP
	R588	06S35095Y08	RES,RK JUMPER 1/4-CP
	R589	06S70072F65	RES,CP .332-J-1/4-CP
	R590	06S45674W89	RES,RK 223J 1/10 -CP
	R591	06S64996F39	RES,RK JUMPER 1/8-CP
	R601	06S45674W81	RES,RK 103J 1/10 -CP
	R602	06S70072F77	RES,CP .103-J-1/4-CP
#1	R603	06S70072F77	RES,CP .103-J-1/4-CP
	R604	06S45674W97	RES,RK 473J 1/10 -CP
	R609	06S64995F63	RES,RK 272J 1/8 -CP
	R800	06T45541Y01	RES,RS 12RJ 2W -
	R801	06S70072F77	RES,CP .103-J-1/4-CP
	R802	06S45674W69	RES,RK 332J 1/10 -CP
	R803	06S45674W69	RES,RK 332J 1/10 -CP
	R804	06S35095Y16	RES,RK 303J 1/4 -CP
	R807	06S45674W01	RES,RK 2R2J 1/10 -CP
	R810	06S35083Y42	RES,RK 273F 1/4 -CP
	R812	06S35083Y32	RES,RK 392F 1/4 -CP
	R813	06S70072F77	RES,CP .103-J-1/4-CP
	R814	06S45674W01	RES,RK 2R2J 1/10 -CP
	R815	06S45674W01	RES,RK 2R2J 1/10 -CP
	R816	06S35083Y28	RES,RK 182F 1/4 -CP
	R818	06S64996F39	RES,RK JUMPER 1/8-CP
	R819	06S70072F61	RES,CP .222-J-1/4-CP
	R821	06S70072F43	RES,CP .391-J-1/4-CP
	R822	06S45674W69	RES,RK 332J 1/10 -CP
	R823	06S70072F57	RES,CP .152-J-1/4-CP
	R824	06S45675W22	RES,RK 474J 1/10 -CP
	R825	06S70072F43	RES,CP .391-J-1/4-CP
	R826	06S45674W01	RES,RK 2R2J 1/10 -CP
	R828	06S70072F61	RES,CP .222-J-1/4-CP
	R829	06S35083Y45	RES,RK 473F 1/4 -CP
	R830	06S45675W06	RES,RK 104J 1/10 -CP
	R831	06S45674W01	RES,RK 2R2J 1/10 -CP
	R832	06S45674W01	RES,RK 2R2J 1/10 -CP
	R833	06S55361Y60	RES,RK 621J 1/4 -CP
	SA001	48T81909F01	PTT,DSP-201M -A1
	TH501	48T93439F06	TMT, 104 -R2
	XL051	91T25806W18	XTL,4.332M -AT51-TP
	XL201	91T55217Y02	XTL,NX8045GB 33.8-E5
	XL501	91T55360Y06	XTL,6M-AT51-TP
	Z001	91T45556Y06	EMI,NFM21HC102R1H-CP
	Z201	91T65112W06	EMI,BK2125HM102 -CP
	Z202	91T65112W06	EMI,BK2125HM102 -CP
	Z203	91T65112W06	EMI,BK2125HM102 -CP

**CDE-9828RB/CDE-9827R/
CDE-9827RM/CDE-9827RR**

Z204	91T65112W06	EMI,BK2125HM102 -CP
Z205	91T65112W06	EMI,BK2125HM102 -CP
Z502	91T65112W06	EMI,BK2125HM102 -CP
ZD101	48T83128F04	DIO,ZEN.HZS 6B1L -A5
ZD801	48T25766W09	DIO,ZEN.HZS 6C3L -R5
ZD803	48T25766W27	DIO,ZEN.HZS11A1L -R5
ZD804	48T25766W24	DIO,ZEN.HZS 9C1L -R5
ZD823	48T83128F27	DIO,ZEN.HZS 9C3L -A5

=====TUNER MULTI P.W.Board

C1001	08S65128F78	CAP,CER.223K-B1H -CP
C1002	08S82122F25	CAP,CER.33RJ-CH1H-CP
C1003	08S45677W60	CAP,CER 102J-CH1H-CP
C1004	08S45677W24	CAP,CER 33RJ-CH1H-CP
C1005	08S45677W24	CAP,CER 33RJ-CH1H-CP
C1006	08S45677W04	CAP,CER.2R0C-CH1H-CP
C1007	08S45677W07	CAP,CER.5R0C-CH1H-CP
C1009	08S45677W12	CAP,CER.10RD-CH1H-CP
C1010	08S45676W73	CAP,CER.103K-B1H -CP
C1011	08S45676W85	CAP,CER 104K-B1C -CP
C1012	08S45676W69	CAP,CER.472K-B1H -CP
C1013	08S45676W73	CAP,CER.103K-B1H -CP
C1014	08S45677W60	CAP,CER 102J-CH1H-CP
C1015	08S45677W32	CAP,CER.68RJ-CH1H-CP
C1016	08S45677W36	CAP,CER.101J-CH1H-CP
C1017	08S45676W73	CAP,CER.103K-B1H -CP
C1018	08S45676W85	CAP,CER 104K-B1C -CP
C1019	08S45676W85	CAP,CER 104K-B1C -CP
C1020	08S45676W85	CAP,CER 104K-B1C -CP
C1021	08S45676W80	CAP,CER 223K-B1E -CP
C1022	08S45676W68	CAP,CER.392K-B1H -CP
C1023	08S45677W38	CAP,CER 121J-CH1H-CP
C1024	08S45676W73	CAP,CER.103K-B1H -CP
C1025	08S45676W73	CAP,CER.103K-B1H -CP
C1026	08S35350Y05	CAP,CER 105K-B1A -CP
C1027	08S45676W85	CAP,CER 104K-B1C -CP
C1028	08S45676W85	CAP,CER 104K-B1C -CP
C1029	08S35350Y05	CAP,CER 105K-B1A -CP
C1030	08S35350Y05	CAP,CER 105K-B1A -CP
C1031	08S45676W80	CAP,CER 223K-B1E -CP
C1032	08S45677W32	CAP,CER.68RJ-CH1H-CP
C1033	08S45676W73	CAP,CER.103K-B1H -CP
C1034	08S45676W85	CAP,CER 104K-B1C -CP
C1035	08S45677W02	CAP,CER 1R0C-CH1H-CP
C1036	08S45677W20	CAP,CER.22RJ-CH1H-CP
C1037	08S45677W16	CAP,CER.15RJ-CH1H-CP
C1038	08S45676W85	CAP,CER 104K-B1C -CP
C1039	08S45676W85	CAP,CER 104K-B1C -CP
C1040	08S45676W73	CAP,CER.103K-B1H -CP
C1041	08S45676W65	CAP,CER.222K-B1H -CP
C1042	08S45677W60	CAP,CER 102J-CH1H-CP
C1043	08S45676W73	CAP,CER.103K-B1H -CP
C1044	08S45676W80	CAP,CER 223K-B1E -CP
C1045	08S45676W80	CAP,CER 223K-B1E -CP
C1046	08S45676W80	CAP,CER 223K-B1E -CP
C1047	08S45677W05	CAP,CER.3R0C-CH1H-CP
C1048	08S45677W12	CAP,CER.10RD-CH1H-CP

**CDE-9828RB/CDE-9827R/
CDE-9827RM/CDE-9827RR**

C1049	08S45677W12	CAP,CER.10RD-CH1H-CP
C1050	08S45676W73	CAP,CER.103K-B1H -CP
C1051	08S45676W73	CAP,CER.103K-B1H -CP
C1052	08S45677W12	CAP,CER.10RD-CH1H-CP
C1053	08S45676W73	CAP,CER.103K-B1H -CP
C1054	08S45676W73	CAP,CER.103K-B1H -CP
C1055	08S45677W36	CAP,CER.101J-CH1H-CP
C1056	08S45676W80	CAP,CER 223K-B1E -CP
C1057	08S45676W73	CAP,CER.103K-B1H -CP
C1058	08S35350Y05	CAP,CER 105K-B1A -CP
C1060	08S35374W08	CAP,CER 474K-B1C -CP
C1061	08S35374W08	CAP,CER 474K-B1C -CP
C1201	08S45676W75	CAP,CER.153K-B1H -CP
C1205	08S45676W85	CAP,CER 104K-B1C -CP
C1206	08S45677W60	CAP,CER 102J-CH1H-CP
C1211	08S45677W36	CAP,CER.101J-CH1H-CP
C1214	08S45676W73	CAP,CER.103K-B1H -CP
C1216	08S35349Y13	CAP,CER 684K-B1A -CP
C1217	08S45676W73	CAP,CER.103K-B1H -CP
C1218	08S45676W73	CAP,CER.103K-B1H -CP
C1219	08S45676W85	CAP,CER 104K-B1C -CP
C1220	08S45677W60	CAP,CER 102J-CH1H-CP
C1221	08S45676W85	CAP,CER 104K-B1C -CP
C1222	08S45676W85	CAP,CER 104K-B1C -CP
C1223	08S45676W85	CAP,CER 104K-B1C -CP
C1224	08S45676W85	CAP,CER 104K-B1C -CP
C1225	08S45676W85	CAP,CER 104K-B1C -CP
CB1001	09T65422W17	PIN,IMSA6029B-17Z-DB
CB1002	09T03499K32	BTB,53309-3291 -E9
CF1001	91T35405W02	CERFIL,SFELA10M7 -DB
CF1002	91T35405W02	CERFIL,SFELA10M7 -DB
CF1003	91T35405W02	CERFIL,SFELA10M7 -DB
D1002	48T65157W01	DIO,VAR KV1410 -XX
D1003	48T65157W01	DIO,VAR KV1410 -XX
D1004	48T65157W01	DIO,VAR KV1410 -XX
D1005	48T68806F01	DIO,1SV172/L -CP
D1013	48T68806F01	DIO,1SV172/L -CP
E1006	23S55039Y02	CAP,ELY 10R-1C -R2
E1007	23S65134W31	CAP,ELY 10R-1C(4)-E2
E1008	23S65134W31	CAP,ELY 10R-1C(4)-E2
E1011	23S55039Y02	CAP,ELY 10R-1C -R2
E1012	23S45639Y08	CAP,ELY 22R-1C -R2
E1014	23S65134W31	CAP,ELY 10R-1C(4)-E2
E1015	23S65134W31	CAP,ELY 10R-1C(4)-E2
E1201	23S45639Y08	CAP,ELY 22R-1C -R2
E1204	23S65134W31	CAP,ELY 10R-1C(4)-E2
E1205	23S65134W31	CAP,ELY 10R-1C(4)-E2
IC1001	51T65382Y01	TDA7518 -QT
IC1002	51T93333F01	NJM2904M-TE3 -SE2
IFT1001	24T45563Y01	COIL,IFT1 F/A 5PG-DB
IFT1002	24T45563Y02	COIL,IFT2 AM 5PG -DB
L1001	91T15509Y08	EMI,BK1608HM102 -CP
L1002	91T15509Y08	EMI,BK1608HM102 -CP
L1005	91T15509Y08	EMI,BK1608HM102 -CP
L1006	24T65176W37	IND,NL453232 102J-E2
L1007	24T25164Y35	IND,FSLM2520 68RJ-CP
L1010	24T65176W37	IND,NL453232 102J-E2

**CDE-9828RB/CDE-9827R/
CDE-9827RM/CDE-9827RR**

L1013	91T15509Y08	EMI,BK1608HM102 -CP
L1014	91T15509Y08	EMI,BK1608HM102 -CP
L1017	91T15509Y08	EMI,BK1608HM102 -CP
L1018	91T15509Y08	EMI,BK1608HM102 -CP
L1019	24T25164Y11	IND,FSLM2520 R68J-CP
L1020	24T25164Y17	IND,FSLM2520 2R2J-CP
L1021	24T25164Y12	IND,FSLM2520 R82J-CP
Q1003	48T16465W01	FET,CP.3SK195-Y-R
Q1004	48T15606Y01	FET,FC18-TL -CP
R1004	06S55365Y25	RES,RK 22RJ 1/10 -CP
R1005	06S55365Y25	RES,RK 22RJ 1/10 -CP
R1007	06S55365Y73	RES,RK 222J 1/10 -CP
R1008	06S55365Y65	RES,RK 102J 1/10 -CP
R1009	06S55365Y73	RES,RK 222J 1/10 -CP
R1010	06S55366Y38	RES,RK 105J 1/10 -CP
R1011	06S55365Y81	RES,RK 472J 1/10 -CP
R1012	06S55365Y17	RES,RK 10RJ 1/10 -CP
R1013	06S55366Y14	RES,RK 104J 1/10 -CP
R1015	06S55365Y97	RES,RK 223J 1/10 -CP
R1016	06S55365Y89	RES,RK 103J 1/10 -CP
R1017	06S55365Y41	RES,RK 101J 1/10 -CP
R1018	06S55366Y08	RES,RK 563J 1/10 -CP
R1019	06S55365Y81	RES,RK 472J 1/10 -CP
R1020	06S55366Y14	RES,RK 104J 1/10 -CP
R1023	06S55365Y83	RES,RK 562J 1/10 -CP
R1024	06S55365Y61	RES,RK 681J 1/10 -CP
R1028	06S55366Y14	RES,RK 104J 1/10 -CP
R1029	06S55366Y08	RES,RK 563J 1/10 -CP
R1030	06S55365Y83	RES,RK 562J 1/10 -CP
R1034	06S55365Y17	RES,RK 10RJ 1/10 -CP
R1037	06S55366Y08	RES,RK 563J 1/10 -CP
R1038	06S55365Y17	RES,RK 10RJ 1/10 -CP
R1043	06S55365Y09	RES,RK 4R7J 1/10 -CP
R1044	06S55365Y09	RES,RK 4R7J 1/10 -CP
R1045	06S55365Y17	RES,RK 10RJ 1/10 -CP
R1050	06S55365Y91	RES,RK 123J 1/10 -CP
R1211	06S55365Y73	RES,RK 222J 1/10 -CP
R1215	06S55361Y66	RES,RK 112J 1/4 -CP
R1216	06S55361Y66	RES,RK 112J 1/4 -CP
R1218	06S55365Y66	RES,RK 112J 1/10 -CP
VT1001	24T45428Y04	COIL,ANT1 FM 5KR -DB
VT1002	24T45429Y04	COIL,RF FM 5KR -DB
VT1003	24T45427Y03	COIL,OSC F/A 5KR -DB
XL1001	91T45560Y01	XTL,HC-49 10.25M -R5
XL1002	91T15651Y02	CERFIL,CFWLA450K -DB

=====FRONT P.W.Board

C400	08S45676W85	CAP,CER 104K-B1C -CP
C401	08S45676W80	CAP,CER 223K-B1E -CP
C402	08S45676W80	CAP,CER 223K-B1E -CP
C404	08S45677W58	CAP,CER 821J-CH1H-CP
C405	08S45676W89	CAP,CER 473K-B1E -CP
C406	08S45676W89	CAP,CER 473K-B1E -CP
C407	08S45676W89	CAP,CER 473K-B1E -CP
C410	08S45676W89	CAP,CER 473K-B1E -CP
C411	08S45677W36	CAP,CER.101J-CH1H-CP
D400	48T85357W01	DIO,1PS226 -CP

**CDE-9828RB/CDE-9827R/
CDE-9827RM/CDE-9827RR**

	D401	48T85357W01	DIO,1PS226	-CP
	D402	48T85357W01	DIO,1PS226	-CP
	D403	48T85357W01	DIO,1PS226	-CP
	D404	48T85357W01	DIO,1PS226	-CP
	D405	48T85357W01	DIO,1PS226	-CP
	D415	48T81063F01	DIO,CP.MA159 / TX-CP	
	D416	48T81063F01	DIO,CP.MA159 / TX-CP	
	D417	48T81063F01	DIO,CP.MA159 / TX-CP	
	IC401	51T02347K01	PT6583LQ	-QT
	IC403	51T55235Y01	TC74VHC595FT-EL	-SE5
#1	LD450	48T25534Y01	LED,GRN BG1111C	-CP
\$1	LD450	48T25534Y03	LED,AMB AA1111C	-CP
%1	LD450	48T25534Y01	LED,GRN BG1111C	-CP
&1	LD450	48T25534Y02	LED,RED BR1111C	-CP
#1	LD451	48T65176Y02	LED,BLU DB1111C	-CP
&1	LD451	48T25534Y02	LED,RED BR1111C	-CP
#1	LD452	48T25534Y01	LED,GRN BG1111C	-CP
\$1	LD452	48T25534Y03	LED,AMB AA1111C	-CP
%1	LD452	48T25534Y01	LED,GRN BG1111C	-CP
&1	LD452	48T25534Y02	LED,RED BR1111C	-CP
#1	LD453	48T25534Y01	LED,GRN BG1111C	-CP
\$1	LD453	48T25534Y03	LED,AMB AA1111C	-CP
%1	LD453	48T25534Y01	LED,GRN BG1111C	-CP
&1	LD453	48T25534Y02	LED,RED BR1111C	-CP
#1	LD454	48T25534Y01	LED,GRN BG1111C	-CP
\$1	LD454	48T25534Y03	LED,AMB AA1111C	-CP
%1	LD454	48T25534Y01	LED,GRN BG1111C	-CP
&1	LD454	48T25534Y02	LED,RED BR1111C	-CP
#1	LD455	48T25534Y01	LED,GRN BG1111C	-CP
\$1	LD455	48T25534Y03	LED,AMB AA1111C	-CP
&1	LD455	48T25534Y02	LED,RED BR1111C	-CP
#1	LD456	48T25534Y01	LED,GRN BG1111C	-CP
\$1	LD456	48T25534Y03	LED,AMB AA1111C	-CP
&1	LD456	48T25534Y02	LED,RED BR1111C	-CP
#1	LD458	48T25534Y01	LED,GRN BG1111C	-CP
\$1	LD458	48T25534Y03	LED,AMB AA1111C	-CP
%1	LD458	48T25534Y01	LED,GRN BG1111C	-CP
&1	LD458	48T25534Y02	LED,RED BR1111C	-CP
#1	LD459	48T25534Y03	LED,AMB AA1111C	-CP
\$1	LD459	48T25534Y03	LED,AMB AA1111C	-CP
%1	LD459	48T25534Y03	LED,AMB AA1111C	-CP
&1	LD459	48T25534Y02	LED,RED BR1111C	-CP
	LD460	48T25534Y02	LED,RED BR1111C	-CP
	LD461	48T45280Y01	LED,WHT NSCWS405T-E2	
	LD462	48T45280Y01	LED,WHT NSCWS405T-E2	
#1	LD463	48T65176Y02	LED,BLU DB1111C	-CP
&1	LD463	48T25534Y02	LED,RED BR1111C	-CP
#1	LD464	48T25534Y01	LED,GRN BG1111C	-CP
\$1	LD464	48T25534Y03	LED,AMB AA1111C	-CP
%1	LD464	48T25534Y01	LED,GRN BG1111C	-CP
&1	LD464	48T25534Y02	LED,RED BR1111C	-CP
#1	LD465	48T25534Y01	LED,GRN BG1111C	-CP
\$1	LD465	48T25534Y03	LED,AMB AA1111C	-CP
%1	LD465	48T25534Y01	LED,GRN BG1111C	-CP
&1	LD465	48T25534Y02	LED,RED BR1111C	-CP
#1	LD466	48T25534Y01	LED,GRN BG1111C	-CP
\$1	LD466	48T25534Y03	LED,AMB AA1111C	-CP

**CDE-9828RB/CDE-9827R/
CDE-9827RM/CDE-9827RR**

%1	LD466	48T25534Y01	LED,GRN BG1111C	-CP
&1	LD466	48T25534Y02	LED,RED BR1111C	-CP
#1	LD467	48T25534Y01	LED,GRN BG1111C	-CP
\$1	LD467	48T25534Y03	LED,AMB AA1111C	-CP
%1	LD467	48T25534Y01	LED,GRN BG1111C	-CP
&1	LD467	48T25534Y02	LED,RED BR1111C	-CP
#1	LD468	48T25534Y01	LED,GRN BG1111C	-CP
\$1	LD468	48T25534Y03	LED,AMB AA1111C	-CP
%1	LD468	48T25534Y01	LED,GRN BG1111C	-CP
&1	LD468	48T25534Y02	LED,RED BR1111C	-CP
#1	LD469	48T25534Y01	LED,GRN BG1111C	-CP
\$1	LD469	48T25534Y03	LED,AMB AA1111C	-CP
%1	LD469	48T25534Y01	LED,GRN BG1111C	-CP
&1	LD469	48T25534Y02	LED,RED BR1111C	-CP
#1	LD470	48T25534Y01	LED,GRN BG1111C	-CP
\$1	LD470	48T25534Y03	LED,AMB AA1111C	-CP
&1	LD470	48T25534Y02	LED,RED BR1111C	-CP
#1	LD471	48T25534Y01	LED,GRN BG1111C	-CP
\$1	LD471	48T25534Y03	LED,AMB AA1111C	-CP
&1	LD471	48T25534Y02	LED,RED BR1111C	-CP
#1	LD472	48T25534Y01	LED,GRN BG1111C	-CP
\$1	LD472	48T25534Y03	LED,AMB AA1111C	-CP
&1	LD472	48T25534Y02	LED,RED BR1111C	-CP
#1	LD473	48T25534Y01	LED,GRN BG1111C	-CP
\$1	LD473	48T25534Y03	LED,AMB AA1111C	-CP
&1	LD473	48T25534Y02	LED,RED BR1111C	-CP
#1	LD474	48T25534Y01	LED,GRN BG1111C	-CP
\$1	LD474	48T25534Y03	LED,AMB AA1111C	-CP
%1	LD474	48T25534Y01	LED,GRN BG1111C	-CP
&1	LD474	48T25534Y02	LED,RED BR1111C	-CP
#1	LD475	48T25534Y03	LED,AMB AA1111C	-CP
\$1	LD475	48T25534Y03	LED,AMB AA1111C	-CP
%1	LD475	48T25534Y03	LED,AMB AA1111C	-CP
&1	LD475	48T25534Y02	LED,RED BR1111C	-CP
	LD476	48T25534Y02	LED,RED BR1111C	-CP
	LD478	48T45280Y01	LED,WHT NSCWS405T-E2	
	LD479	48T45280Y01	LED,WHT NSCWS405T-E2	
#1	LD480	48T65176Y02	LED,BLU DB1111C	-CP
&1	LD480	48T25534Y02	LED,RED BR1111C	-CP
#1	LD481	48T65176Y02	LED,BLU DB1111C	-CP
&1	LD481	48T25534Y02	LED,RED BR1111C	-CP
\$1	PL451	65T35324Y03	LAMP,AMB 6-80	-E5
%1	PL451	65T35324Y10	LAMP,GRN 6-80	-E5
%1	PL452	65T35324Y10	LAMP,GRN 6-80	-E5
%1	PL453	65T35324Y10	LAMP,GRN 6-80	-E5
%1	PL454	65T35324Y10	LAMP,GRN 6-80	-E5
#1	Q451	48T63788F04	TR ,CP.2SD1328-T	-TX
	Q452	48T52438F04	TR ,2SD601A-S /TX	-CP
	Q453	48T52438F04	TR ,2SD601A-S /TX	-CP
	Q454	48T64222F02	TR ,UN2212 22-22	-TX
	R401	06S64995F86	RES,RK 243J 1/8	-CP
	R402	06S45674W57	RES,RK 102J 1/10	-CP
	R403	06S45674W57	RES,RK 102J 1/10	-CP
	R404	06S45674W57	RES,RK 102J 1/10	-CP
	R405	06S45674W57	RES,RK 102J 1/10	-CP
	R406	06S45674W57	RES,RK 102J 1/10	-CP
	R407	06S45674W97	RES,RK 473J 1/10	-CP

**CDE-9828RB/CDE-9827R/
CDE-9827RM/CDE-9827RR**

	R409	06S64995F77	RES,RK 103J 1/8 -CP
	R410	06S64995F77	RES,RK 103J 1/8 -CP
	R411	06S64995F77	RES,RK 103J 1/8 -CP
	R412	06S64995F53	RES,RK 102J 1/8 -CP
	R413	06S64995F53	RES,RK 102J 1/8 -CP
	R414	06S64995F86	RES,RK 243J 1/8 -CP
	R415	06S64995F53	RES,RK 102J 1/8 -CP
	R419	06S45674W73	RES,RK 472J 1/10 -CP
	R420	06S45675W06	RES,RK 104J 1/10 -CP
	R421	06S45674W57	RES,RK 102J 1/10 -CP
	R422	06S45674W57	RES,RK 102J 1/10 -CP
	R423	06S45674W57	RES,RK 102J 1/10 -CP
	R424	06S45674W57	RES,RK 102J 1/10 -CP
	R425	06S45674W57	RES,RK 102J 1/10 -CP
	R426	06S45674W57	RES,RK 102J 1/10 -CP
	R427	06S45674W57	RES,RK 102J 1/10 -CP
	R428	06S45674W57	RES,RK 102J 1/10 -CP
	R429	06S45674W57	RES,RK 102J 1/10 -CP
	R430	06S45674W57	RES,RK 102J 1/10 -CP
	R431	06S45674W57	RES,RK 102J 1/10 -CP
	R432	06S45674W81	RES,RK 103J 1/10 -CP
	R433	06S45674W57	RES,RK 102J 1/10 -CP
	R434	06S45674W57	RES,RK 102J 1/10 -CP
	R436	06S45674W73	RES,RK 472J 1/10 -CP
	R437	06S45674W73	RES,RK 472J 1/10 -CP
	R438	06S45674W89	RES,RK 223J 1/10 -CP
\$1	R448	06S70072F18	RES,CP .36R-J-1/4-CP
\$1	R449	06S70072F17	RES,CP .33R-J-1/4-CP
\$1	R450	06S70072F17	RES,CP .33R-J-1/4-CP
#1	R451	06S70072F49	RES,CP .681-J-1/4-CP
&1	R451	06S70072F47	RES,CP .561-J-1/4-CP
#1	R452	06S70072F49	RES,CP .681-J-1/4-CP
&1	R452	06S70072F47	RES,CP .561-J-1/4-CP
\$1	R453	06S70072F18	RES,CP .36R-J-1/4-CP
%1	R453	06S70072F15	RES,CP .27R-J-1/4-CP
%1	R454	06S70072F15	RES,CP .27R-J-1/4-CP
#1	R455	06S70072F35	RES,CP .181-J-1/4-CP
\$1	R455	06S70072F37	RES,CP .221-J-1/4-CP
%1	R455	06S70072F35	RES,CP .181-J-1/4-CP
&1	R455	06S70072F43	RES,CP .391-J-1/4-CP
#1	R456	06S70072F37	RES,CP .221-J-1/4-CP
\$1	R456	06S70072F37	RES,CP .221-J-1/4-CP
%1	R456	06S70072F37	RES,CP .221-J-1/4-CP
&1	R456	06S70072F43	RES,CP .391-J-1/4-CP
#1	R457	06S70072F37	RES,CP .221-J-1/4-CP
\$1	R457	06S70072F39	RES,CP .271-J-1/4-CP
%1	R457	06S70072F33	RES,CP .151-J-1/4-CP
&1	R457	06S70072F39	RES,CP .271-J-1/4-CP
	R458	06S70072F37	RES,CP .221-J-1/4-CP
#1	R459	06S70072F39	RES,CP .271-J-1/4-CP
\$1	R459	06S70072F39	RES,CP .271-J-1/4-CP
%1	R459	06S70072F39	RES,CP .271-J-1/4-CP
&1	R459	06S70072F41	RES,CP .331-J-1/4-CP
	R460	06S70072F39	RES,CP .271-J-1/4-CP
#1	R461	06S70072F35	RES,CP .181-J-1/4-CP
\$1	R461	06S70072F37	RES,CP .221-J-1/4-CP
&1	R461	06S70072F37	RES,CP .221-J-1/4-CP

**CDE-9828RB/CDE-9827R/
CDE-9827RM/CDE-9827RR**

#1	R462	06S70072F37	RES,CP .221-J-1/4-CP
\$1	R462	06S70072F37	RES,CP .221-J-1/4-CP
&1	R462	06S70072F41	RES,CP .331-J-1/4-CP
#1	R463	06S70072F35	RES,CP .181-J-1/4-CP
\$1	R463	06S70072F37	RES,CP .221-J-1/4-CP
&1	R463	06S70072F37	RES,CP .221-J-1/4-CP
#1	R464	06S70072F37	RES,CP .221-J-1/4-CP
\$1	R464	06S70072F37	RES,CP .221-J-1/4-CP
&1	R464	06S70072F41	RES,CP .331-J-1/4-CP
#1	R465	06S70072F39	RES,CP .271-J-1/4-CP
\$1	R465	06S70072F39	RES,CP .271-J-1/4-CP
%1	R465	06S70072F39	RES,CP .271-J-1/4-CP
&1	R465	06S70072F41	RES,CP .331-J-1/4-CP
	R466	06S70072F41	RES,CP .331-J-1/4-CP
#1	R467	06S70072F41	RES,CP .331-J-1/4-CP
\$1	R467	06S70072F41	RES,CP .331-J-1/4-CP
%1	R467	06S70072F41	RES,CP .331-J-1/4-CP
&1	R467	06S70072F43	RES,CP .391-J-1/4-CP
	R468	06S70072F39	RES,CP .271-J-1/4-CP
#1	R469	06S70072F39	RES,CP .271-J-1/4-CP
\$1	R469	06S70072F39	RES,CP .271-J-1/4-CP
%1	R469	06S70072F39	RES,CP .271-J-1/4-CP
&1	R469	06S70072F41	RES,CP .331-J-1/4-CP
	R470	06S70072F69	RES,CP .472-J-1/4-CP
	R471	06S70072F69	RES,CP .472-J-1/4-CP
	R472	06S70072F23	RES,CP .56R-J-1/4-CP
	R473	06S70072F23	RES,CP .56R-J-1/4-CP
	R474	06S70072F31	RES,CP .121-J-1/4-CP
	R475	06S70072F31	RES,CP .121-J-1/4-CP
#1	R476	06S64995F55	RES,RK 122J 1/8 -CP
#1	R477	06S70072F36	RES,CP .201-J-1/4-CP
&1	R477	06S35095Y08	RES,RK JUMPER 1/4-CP
#1	R480	06S70072F49	RES,CP .681-J-1/4-CP
&1	R480	06S70072F47	RES,CP .561-J-1/4-CP
#1	R481	06S70072F49	RES,CP .681-J-1/4-CP
&1	R481	06S70072F47	RES,CP .561-J-1/4-CP
	R482	06S70072F39	RES,CP .271-J-1/4-CP
#1	R483	06S70072F41	RES,CP .331-J-1/4-CP
\$1	R483	06S70072F41	RES,CP .331-J-1/4-CP
%1	R483	06S70072F41	RES,CP .331-J-1/4-CP
&1	R483	06S70072F43	RES,CP .391-J-1/4-CP
	R484	06S70072F41	RES,CP .331-J-1/4-CP
#1	R487	06S70072F36	RES,CP .201-J-1/4-CP
&1	R487	06S35095Y08	RES,RK JUMPER 1/4-CP
	SW401	40T65353Y01	SW,TACT SKRSPACE010E2(FWD/UP)
	SW402	40T65353Y01	SW,TACT SKRSPACE010E2(BWD/DN)
	SW403	40T65353Y01	SW,TACT SKRSPACE010E2(MX)
	SW404	40T65353Y01	SW,TACT SKRSPACE010E2(5/M.I.X.)
	SW405	40T65353Y01	SW,TACT SKRSPACE010E2 (SOURCE/POWER)
	SW406	40T65353Y01	SW,TACT SKRSPACE010E2(1/AF)
	SW407	40T65353Y01	SW,TACT SKRSPACE010E2(6/SCAN)
	SW408	40T65353Y01	SW,TACT SKRSPACE010E2 (PLAY/PAUSE/TUNE/A.ME)
	SW409	40T65353Y01	SW,TACT SKRSPACE010E2(CENTER f)
	SW410	40T65353Y01	SW,TACT SKRSPACE010E2(2/NEWS)
	SW411	40T65353Y01	SW,TACT SKRSPACE010E2(F/SETUP)

**CDE-9828RB/CDE-9827R/
CDE-9827RM/CDE-9827RR**

SW412	40T65353Y01	SW,TACT SKRSPACE010E2 (FOLDER SEARCH/Q.S.)
SW413	40T65353Y01	SW,TACT SKRSPACE010E2(3/PTY)
SW414	40T65353Y01	SW,TACT SKRSPACE010E2(T.INFO)
SW415	40T65353Y01	SW,TACT SKRSPACE010E2(FOLDER UP)
SW416	40T65353Y01	SW,TACT SKRSPACE010E2(BAND)
SW417	40T65353Y01	SW,TACT SKRSPACE010E2(FOLDER DOWN)
SW418	40T65353Y01	SW,TACT SKRSPACE010E2(4/REPEAT)
SW419	40T65353Y01	SW,TACT SKRSPACE010E2(EJECT)
SW420	40T65353Y01	SW,TACT SKRSPACE010E2(DISP/TITLE)
ZD401	48T62934F26	DIO,ZEN.RD6.2MB3 -CP
ZD451	48T15541Y23	DIO,ZEN MAZS180 -CP
ZD452	48T15541Y23	DIO,ZEN MAZS180 -CP

=====DP-S MAIN P.W.Board

C101	08S45676W73	CAP,CER.103K-B1H -CP
C102	08S45676W73	CAP,CER.103K-B1H -CP
C103	08S45676W73	CAP,CER.103K-B1H -CP
C104	08S45676W73	CAP,CER.103K-B1H -CP
C105	08S45676W73	CAP,CER.103K-B1H -CP
C106	08S45676W73	CAP,CER.103K-B1H -CP
C107	08S45676W73	CAP,CER.103K-B1H -CP
C108	08S45676W73	CAP,CER.103K-B1H -CP
C109	08S45676W73	CAP,CER.103K-B1H -CP
C110	08S45676W73	CAP,CER.103K-B1H -CP
C112	08S45676W73	CAP,CER.103K-B1H -CP
C113	08S45676W73	CAP,CER.103K-B1H -CP
C116	08S45677W12	CAP,CER.10RD-CH1H-CP
C118	08S45676W73	CAP,CER.103K-B1H -CP
C120	08S45676W73	CAP,CER.103K-B1H -CP
C121	08S45676W85	CAP,CER 104K-B1C -CP
C122	08S45676W85	CAP,CER 104K-B1C -CP
C123	08S45676W73	CAP,CER.103K-B1H -CP
C124	08S45676W73	CAP,CER.103K-B1H -CP
C125	08S45676W73	CAP,CER.103K-B1H -CP
C126	08S45677W12	CAP,CER.10RD-CH1H-CP
C133	08S45676W73	CAP,CER.103K-B1H -CP
C134	08S45676W68	CAP,CER.392K-B1H -CP
C135	08S45676W73	CAP,CER.103K-B1H -CP
C201	08S45676W66	CAP,CER.272K-B1H -CP
C202	08S45676W66	CAP,CER.272K-B1H -CP
C203	08S45676W93	CAP,CER 224K-B1A -CP
C204	08S45676W85	CAP,CER 104K-B1C -CP
C206	08S45677W46	CAP,CER 271J-CH1H-CP
C207	08S45676W70	CAP,CER 562K-B1H -CP
C208	08S45676W85	CAP,CER 104K-B1C -CP
C210	08S45676W85	CAP,CER 104K-B1C -CP
C211	08S45676W93	CAP,CER 224K-B1A -CP
C212	08S45676W73	CAP,CER.103K-B1H -CP
C213	08S45676W85	CAP,CER 104K-B1C -CP
C214	08S45676W85	CAP,CER 104K-B1C -CP
C215	08S45676W85	CAP,CER 104K-B1C -CP
C216	08S45677W60	CAP,CER 102J-CH1H-CP
C401	08S45676W85	CAP,CER 104K-B1C -CP
C402	08S45676W85	CAP,CER 104K-B1C -CP
C403	08S45677W38	CAP,CER 121J-CH1H-CP
C404	08S45677W34	CAP,CER.82RJ-CH1H-CP

**CDE-9828RB/CDE-9827R/
CDE-9827RM/CDE-9827RR**

C406	08S45676W67	CAP,CER.332K-B1H -CP
C407	08S45676W73	CAP,CER.103K-B1H -CP
C408	08S45676W85	CAP,CER 104K-B1C -CP
C409	08S45676W85	CAP,CER 104K-B1C -CP
C410	08S45676W73	CAP,CER.103K-B1H -CP
C412	08S45676W85	CAP,CER 104K-B1C -CP
C413	08S35350Y05	CAP,CER 105K-B1A -CP
C414	08S45676W86	CAP,CER 273K-B1E -CP
C415	08S45676W72	CAP,CER 822K-B1H -CP
C418	08S45677W54	CAP,CER 561J-CH1H-CP
C419	08S45676W86	CAP,CER 273K-B1E -CP
C420	08S45676W73	CAP,CER.103K-B1H -CP
C421	08S45677W01	CAP,CER 0R5C-CH1H-CP
C422	08S45677W01	CAP,CER 0R5C-CH1H-CP
C423	08S45677W01	CAP,CER 0R5C-CH1H-CP
C424	08S45677W01	CAP,CER 0R5C-CH1H-CP
C425	08S45677W34	CAP,CER.82RJ-CH1H-CP
C427	08S45676W85	CAP,CER 104K-B1C -CP
C501	08S35350Y05	CAP,CER 105K-B1A -CP
C502	08S35350Y05	CAP,CER 105K-B1A -CP
C503	08S45677W60	CAP,CER 102J-CH1H-CP
C504	08S45677W60	CAP,CER 102J-CH1H-CP
C505	08S45677W60	CAP,CER 102J-CH1H-CP
C506	08S45677W60	CAP,CER 102J-CH1H-CP
C510	08S45676W85	CAP,CER 104K-B1C -CP
C551	08S45676W85	CAP,CER 104K-B1C -CP
C552	08S45676W85	CAP,CER 104K-B1C -CP
C601	08S45676W80	CAP,CER 223K-B1E -CP
C602	08S45677W44	CAP,CER.221J-CH1H-CP
C603	08S45677W44	CAP,CER.221J-CH1H-CP
CB101	09T45435W22	FFC,52207-2290 -EQ
CB102	09T45435W15	FFC,52207-1590 -ED
CB103	09T45435W07	FFC,52207-0790 -E9
CB104	09T35236Y22	BTB,IMSA9851S-22Y-EQ
D601	48T81063F01	DIO,CP.MA159 / TX-CP
E101	23T65680Y09	CAP,UD 101-0J -E2
E102	23T65680Y09	CAP,UD 101-0J -E2
E104	23T45152Y04	CAP,RA 10R-1C -E5
E105	23T45152Y04	CAP,RA 10R-1C -E5
E106	23T45152Y04	CAP,RA 10R-1C -E5
E401	23S55311W35	CAP,TAN 10R-1C-B -CP
E402	23S55311W35	CAP,TAN 10R-1C-B -CP
E403	23T45152Y02	CAP,RA 47R-05 -E5
E405	08S65671Y01	CAP,CER 226KX5R1A-CP
E501	23T45152Y03	CAP,RA 22R-OJ -E5
E502	23T45152Y03	CAP,RA 22R-OJ -E5
E504	23T45152Y04	CAP,RA 10R-1C -E5
E505	23T45152Y03	CAP,RA 22R-OJ -E5
E551	23T45152Y03	CAP,RA 22R-OJ -E5
E601	23T45152Y04	CAP,RA 10R-1C -E5
IC101	51T65495Y01	TMS320DA150PGE160-QT
IC103	51T65581Y01	MBM29DL800BA-90 -ST
IC104	51T65586Y01	TC74VHC139FT -SE5
IC107	51T35445Y01	TC7WHU04FU-TE12L-SE1
IC108	51T55184Y04	TAR5S16-TE85L -CP
IC109	51T65074Y13	S-80927CLMC-T2 -CP
IC110	51T35316Y01	TC7S14FU-TE85L -CP

**CDE-9828RB/CDE-9827R/
CDE-9827RM/CDE-9827RR**

IC201	51T55223Y02	MN6627482WB	-QT
IC401	51T45331Y01	AN22000A-E1	-SE9
IC501	51T16025W01	IC,NJM2100M-TE3-SE03	
IC503	51T35410Y01	S-817A33ANB-T2	-CP
IC504	51T11054W02	NJM78L05UA-TE1	-NE2
IC601	51T55093Y01	BA5984FP-E2	-SEA
L102	24T25164Y21	IND,FSLM2520 4R7J-CP	
L104	24T25164Y21	IND,FSLM2520 4R7J-CP	
Q401	48T55462Y01	TR,2SB1132-QR-100-E2	
R101	06S45674W97	RES,RK 473J 1/10	-CP
R102	06S45674W97	RES,RK 473J 1/10	-CP
R103	06S45674W97	RES,RK 473J 1/10	-CP
R104	06S45674W97	RES,RK 473J 1/10	-CP
R105	06S45674W97	RES,RK 473J 1/10	-CP
R106	06S45674W97	RES,RK 473J 1/10	-CP
R107	06S45674W97	RES,RK 473J 1/10	-CP
R108	06S45674W97	RES,RK 473J 1/10	-CP
R109	06S45674W97	RES,RK 473J 1/10	-CP
R110	06S45674W97	RES,RK 473J 1/10	-CP
R113	06S45674W97	RES,RK 473J 1/10	-CP
R114	06S45674W97	RES,RK 473J 1/10	-CP
R115	06S45674W97	RES,RK 473J 1/10	-CP
R116	06S45674W33	RES,RK 101J 1/10	-CP
R119	06S45675W06	RES,RK 104J 1/10	-CP
R121	06S45674W89	RES,RK 223J 1/10	-CP
R122	06S45674W89	RES,RK 223J 1/10	-CP
R124	06S45674W97	RES,RK 473J 1/10	-CP
R125	06S45674W97	RES,RK 473J 1/10	-CP
R126	06S45674W97	RES,RK 473J 1/10	-CP
R127	06S45674W97	RES,RK 473J 1/10	-CP
R129	06S45674W41	RES,RK 221J 1/10	-CP
R130	06S45675W43	RES,RK JUMPER1/10	-CP
R135	06S45675W43	RES,RK JUMPER1/10	-CP
R137	06S45674W21	RES,RK 33RJ 1/10	-CP
R138	06S45675W30	RES,RK 105J 1/10	-CP
R140	06S45674W21	RES,RK 33RJ 1/10	-CP
R141	06S45674W33	RES,RK 101J 1/10	-CP
R142	06S45675W43	RES,RK JUMPER1/10	-CP
R143	06S45675W43	RES,RK JUMPER1/10	-CP
R144	06S45675W43	RES,RK JUMPER1/10	-CP
R145	06S45675W43	RES,RK JUMPER1/10	-CP
R146	06S45674W33	RES,RK 101J 1/10	-CP
R147	06S45674W33	RES,RK 101J 1/10	-CP
R148	06S45674W33	RES,RK 101J 1/10	-CP
R151	06S45674W33	RES,RK 101J 1/10	-CP
R152	06S45674W33	RES,RK 101J 1/10	-CP
R201	06S45674W97	RES,RK 473J 1/10	-CP
R202	06S45675W43	RES,RK JUMPER1/10	-CP
R204	06S45675W14	RES,RK 224J 1/10	-CP
R207	06S45675W43	RES,RK JUMPER1/10	-CP
R208	06S45674W41	RES,RK 221J 1/10	-CP
R209	06S45675W04	RES,RK 823J 1/10	-CP
R210	06S45675W06	RES,RK 104J 1/10	-CP
R213	06S45674W97	RES,RK 473J 1/10	-CP
R214	06S45674W97	RES,RK 473J 1/10	-CP
R218	06S45675W43	RES,RK JUMPER1/10	-CP
R219	06S45675W43	RES,RK JUMPER1/10	-CP

**CDE-9828RB/CDE-9827R/
CDE-9827RM/CDE-9827RR**

R401	06S45674W82	RES,RK 113J 1/10 -CP
R402	06S45675W43	RES,RK JUMPER1/10-CP
R403	06S45675W43	RES,RK JUMPER1/10-CP
R404	06S45674W82	RES,RK 113J 1/10 -CP
R405	06S55366Y23	RES,RK 244J 1/10 -CP
R406	06S45675W14	RES,RK 224J 1/10 -CP
R407	06S45674W95	RES,RK 393J 1/10 -CP
R408	06S55366Y08	RES,RK 563J 1/10 -CP
R409	06S45675W43	RES,RK JUMPER1/10-CP
R410	06S45674W81	RES,RK 103J 1/10 -CP
R414	06S45674W89	RES,RK 223J 1/10 -CP
R415	06S45674W81	RES,RK 103J 1/10 -CP
R417	06S45675W43	RES,RK JUMPER1/10-CP
R418	06S70072F90	RES,CP .1R0-J-1/4-CP
R419	06S45674W71	RES,RK 392J 1/10 -CP
R420	06S45674W77	RES,RK 682J 1/10 -CP
R421	06S45674W65	RES,RK 222J 1/10 -CP
R422	06S45674W55	RES,RK 821J 1/10 -CP
R428	06S45674W65	RES,RK 222J 1/10 -CP
R430	06S45674W55	RES,RK 821J 1/10 -CP
R435	06S45674W89	RES,RK 223J 1/10 -CP
R501	06S55365Y96	RES,RK 203J 1/10 -CP
R502	06S55365Y96	RES,RK 203J 1/10 -CP
R503	06S55365Y97	RES,RK 223J 1/10 -CP
R504	06S55365Y97	RES,RK 223J 1/10 -CP
R505	06S55365Y79	RES,RK 392J 1/10 -CP
R506	06S55365Y79	RES,RK 392J 1/10 -CP
R507	06S55365Y79	RES,RK 392J 1/10 -CP
R508	06S55365Y79	RES,RK 392J 1/10 -CP
R509	06S55366Y14	RES,RK 104J 1/10 -CP
R510	06S55366Y14	RES,RK 104J 1/10 -CP
R511	06S55365Y89	RES,RK 103J 1/10 -CP
R512	06S55365Y89	RES,RK 103J 1/10 -CP
R513	06S55365Y89	RES,RK 103J 1/10 -CP
R514	06S55365Y89	RES,RK 103J 1/10 -CP
R515	06S55365Y49	RES,RK 221J 1/10 -CP
R516	06S55365Y49	RES,RK 221J 1/10 -CP
R517	06S55365Y93	RES,RK 153J 1/10 -CP
R518	06S55365Y93	RES,RK 153J 1/10 -CP
R519	06S55365Y89	RES,RK 103J 1/10 -CP
R520	06S55365Y89	RES,RK 103J 1/10 -CP
R550	06S45674W13	RES,RK 15RJ 1/10 -CP
R551	06S45674W13	RES,RK 15RJ 1/10 -CP
R603	06S45674W89	RES,RK 223J 1/10 -CP
R604	06S45674W89	RES,RK 223J 1/10 -CP
R605	06S45674W81	RES,RK 103J 1/10 -CP
R606	06S45674W81	RES,RK 103J 1/10 -CP
R607	06S45675W43	RES,RK JUMPER1/10-CP
R608	06S45674W89	RES,RK 223J 1/10 -CP
R609	06S45674W73	RES,RK 472J 1/10 -CP
R610	06S45674W33	RES,RK 101J 1/10 -CP
R611	06S45674W93	RES,RK 333J 1/10 -CP
R612	06S45674W85	RES,RK 153J 1/10 -CP
R613	06S45674W33	RES,RK 101J 1/10 -CP
R616	06S45675W43	RES,RK JUMPER1/10-CP
R617	06S45674W97	RES,RK 473J 1/10 -CP
R618	06S45674W33	RES,RK 101J 1/10 -CP

**CDE-9828RB/CDE-9827R/
CDE-9827RM/CDE-9827RR**

R619	06S45674W89	RES,RK 223J 1/10 -CP
R620	06S45674W33	RES,RK 101J 1/10 -CP
R621	06S45675W43	RES,RK JUMPER1/10-CP
R622	06S45675W22	RES,RK 474J 1/10 -CP
RA101	06S45591W02	RES,ARY MNR473J 4-CP
RA102	06S45591W02	RES,ARY MNR473J 4-CP
RA103	06S45591W02	RES,ARY MNR473J 4-CP
RA104	06S45591W07	RES,ARY MNR101J 4-CP
RA105	06S45591W07	RES,ARY MNR101J 4-CP
RA106	06S45591W07	RES,ARY MNR101J 4-CP
RA107	06S45591W07	RES,ARY MNR101J 4-CP
RA108	06S45591W07	RES,ARY MNR101J 4-CP
RA109	06S45591W07	RES,ARY MNR101J 4-CP
RA110	06S45591W07	RES,ARY MNR101J 4-CP
RA111	06S45591W07	RES,ARY MNR101J 4-CP
RA112	06S45591W07	RES,ARY MNR101J 4-CP
RA113	06S45591W07	RES,ARY MNR101J 4-CP
RA115	06S45591W07	RES,ARY MNR101J 4-CP
RA116	06S45591W07	RES,ARY MNR101J 4-CP
RA117	06S45591W07	RES,ARY MNR101J 4-CP
RA201	06S45591W07	RES,ARY MNR101J 4-CP
RA202	06S45591W07	RES,ARY MNR101J 4-CP
RA203	06S45591W07	RES,ARY MNR101J 4-CP
XL102	91T35227Y01	XTL,CS10 16.9344M-E2

=====Miscellaneous

ANT001	01T03151K04	ASSY,ANTCABLE ISO28R
CB501	09T65330Y15	BTB,TMD-V15X-A1 -DB
CB802	09T35343Y16	WTB,IMSA9451B-16 -DB
CH401	09T15298Y15	BTB,TMD-V15P-A1 -B
JK302	01T02234K03	ASSY,CONN NLT1661(F/R)
JK581	09T03156K01	JAC,CK-3.5-14 -DB
#1 LCD401	65T65153Y11	LCD,WTD-22158ABHU-CU
\$1 LCD401	65T65153Y12	LCD,WTD-22158ACHU-CU
%1 LCD401	65T65153Y11	LCD,WTD-22158ABHU-CU
&1 LCD401	65T65153Y13	LCD,WTD-22158ADHU-CU
M801	59T03808K01	MOTOR,DF251R-12LC-07 (FAN MOTOR/12V-60mA)
RCA302	01T35497Y34	ASSY,WIRE RCA 9828R(SUB-W)
SW421	40T75257Y01	ENC,EC11E1564411 -DB (ROTARY ENCODER/MODE)
SW501	40T16096W03	SW ,TACT SKHHLW(RESET)

=====DP23S27R

HD101	81B60955Y01	PICKUP,EP21A68L
M101	01V56100Y14	ASSY,MOTOR WORM 2BO (3.5V-80mA)
M102	01V56100Y12	ASSY,MOTOR SLED 2BO (3.5V-80mA)
M103	01V56100Y11	ASSY,MTR SPINDOL 2BO (3V-90mA)
SW1	40T15494Y01	SW,DETCT SPVG23 -E6 (12cm DISC DETECT (EJECT POSITION/RELOAD))
SW2	40T15494Y02	SW,DETCT SPVG13 -E6 (8/12cm DISC DETECT (INSERT/PULL OUT))

**CDE-9828RB/CDE-9827R/
CDE-9827RM/CDE-9827RR**

SW3	40T15494Y07	SW,DETCT SPVG21 -E6 (8cm DISC DETECT (EJECT POSITION/RELOAD))
SW4	40T15494Y01	SW,DETCT SPVG23 -E6 (DISC CHUCKING END DETECT)
SW105	40T71025F03	SW,DETCT SPPB120 (LIMIT)

**CDE-9828RB/CDE-9827R/
CDE-9827RM/CDE-9827RR**

Cabinet Assembly Parts List

NOTE : The part that has not PART NUMBER will not be supplied.

#1 : For CDE-9828RB Model Only, \$1 : For CDE-9827R Model Only,

%1 : For CDE-9827RM Model Only, &1 : For CDE-9827RR Model Only,

Others : Common.

#1	1	01V76800Y57	ASSY,NOSE UINT 28RN
\$1	1	01V76800Y67	ASSY,NOSE UNIT 27RN
%1	1	01V76800Y75	ASSY,NOSE UNIT 27RM
&1	1	01V76800Y82	ASSY,NOSE UNIT 27RR
	2	-----	COVER, TOP
	3	-----	CHAS, BASE
	4	-----	HEAT, SINK(BASIC-H-R)
	5	14B04104K01	INS, MAIN(BASIC-H-R)
	6	13C02811K01	NOSE, BASE ASSY
	7	03S60822Y12	SCR, S-T 2.6X6 ZN A
#1	8	33C01797K05	FACE, PLATE
\$1	8	33C01797K04	FACE, PLATE
%1	8	33C01797K04	FACE, PLATE
&1	8	33C01797K04	FACE, PLATE
	9	03S60822Y22	SCR, S-T 2.6X14 ZN A
	10	07D00749K01	BKT, SIDE L
	11	07D00749K02	BKT, SIDE R
	12	03T25225Y01	SCR, GND
	13	03S60822Y10	SCR, S-T 2.6X5 ZN A
	15	03S60825Y04	SCR, B-T 3X8 ZN A
	16	07D02853K02	BKT, CHAS REAR(SW)
	18	15C03065K01	CASE, SHIELD(A)
	19	15C03066K01	CASE, SHIELD(B)
	20	14A03067K01	INSULATOR, TUNER
	21	09T84840F01	LUG, STYLE 18MM
	22	41A03685K01	SPRING, SHIELD
	23	81D70427Y01	DP23S27R
	24	30T03013K09	SMCD22X122BDX6(BL)M
	26	15B01768K01	COVER, LCD
	27	26A01773K01	REFLECTOR, SHEET
	28	75T03213K02	RUBBER, ELECTRIC
	29	15D01770K01	CASE, LCD ASSY
	30	03S71677F56	SCR, B-TITE M1.7X12
#1	31	13D02844K06	NOSE, PIECE ASSY(H)
\$1	31	13C02845K02	NOSE, PIECE ASSY(H)
%1	31	13D02844K07	NOSE, PIECE ASSY(H)
&1	31	13D02844K08	NOSE, PIECE ASSY(H)
#1	32	13D02810K02	NOSE, BOTTOM
\$1	32	13D02810K01	NOSE, BOTTOM
%1	32	13D02810K01	NOSE, BOTTOM
&1	32	13D02810K01	NOSE, BOTTOM
#1	33	36B02841K02	KNOB, ROTARY ASSY
\$1	33	36B02841K01	KNOB, ROTARY ASSY
%1	33	36B02841K01	KNOB, ROTARY ASSY
&1	33	36B02841K01	KNOB, ROTARY ASSY

CD Deck Mechanism Assembly Parts List

NOTE : The part that has not PART NUMBER will not be supplied.

1	01V31800Y79	ASSY,ARM GUIDE
2	27C11557Y02	CHASSIS,TOP
3	45B11564Y02	LEVER,LINK-TOP
4	45B11595Y02	LEVER DISC(R)
5	45B11596Y02	LEVER,DISC(L)
6	41B11613Y16	SPRING,PULL
7	15D50248Y02	GUIDE,TOP-DPS2
9	07C50608Y01	BKT,MOTOR LOAD-P
10	03S40014G07	SCR,MCH M2X4
11	44B11578Y02	GEAR,(A)
12	44B11579Y02	GEAR,(B)
13	44B11580Y02	GEAR,(C)
19	27D11602Y04	CHASSIS,PICKUP
20	47A11575Y01	SHAFT,PICK
21	01V28100Y59	ASSY,SHAFT.SCREW
22	44A70590W03	GEAR,MIDDLE
23	03S72235F96	SCR,MCH M1.7X3.5(SW)
24	07B30337Y02	BKT,SPRING NUT
25	41A11606Y02	SPRING NUT
26	03S94385F18	SCR,NYLOK M2X3.5
27	84T01803K01	PANEL,FPC CONT
28	41B11566Y02	SPRING,SHAFT
29	03S70494F13	SCR,P-TITE M2X6 BLK
30	-----	ASSY,RIV ARM CLAMP
31	-----	LEVER,LOCK
34	43A70141Y02	TABLE,CLAMPER
36	-----	SLIDER,DISC
37	45A11599Y02	LEVER,ACTUATOR
38	41B11613Y03	SPRING,PULL
39	41B11613Y05	SPRING,LEV-ACT
40	41A11609Y01	SPRING,LEVER
42	41B11613Y15	SPRING,PULL
43	41A11040Y02	SPRING,SLED-HOE
44	03S70494F52	SCR,P-TITE M1.4X4.5
45	43A21240Y01	SHEET,FPC PICK
46	-----	ASSY,RIV CHAS BASE
47	45B40510Y02	SLIDER,LOAD
48	44B40527Y02	RACK
49	45A11601Y02	LEVER,TRIGER
50	44B11581Y02	GEAR,(D)
51	45B11594Y02	SLIDER,LOCK(L)
52	45A11592Y02	ARM,LOCK(L2)
53	03A11574Y01	SCREW,LOCK
54	45B11591Y02	ARM,LOCK(L1)
55	07A50606Y01	BKT,MOTOR WIRE-P
56	45B11593Y02	SLIDER,LOCK(R)
57	45B11607Y02	ARM,LOCK(R)
58	45A11597Y02	LEVER,SW
59	41B11613Y04	SPRING,TRIGER
60	75C30466Y14	DAMPER,DPS2
61	41B11613Y06	SPRING,PULL
62	41B11613Y07	SPRING,PULL

**CDE-9828RB/CDE-9827R/
CDE-9827RM/CDE-9827RR**

63	41B11613Y08	SPRING,PULL
64	41A40518Y01	SPRING,ROL
65	41A31894Y02	SPRING,SLIDER
66	-----	BKT,SP-TOP
67	03A21791Y01	SCREW,M2X3.5 S-TITE
68	07B20905Y02	BKT,FPC CONT
69	30T15126W15	WIRE,PC JOINT 7P
72	41A21613Y02	SPRING,SPINDLE
74	14A21415Y02	INS,CVR
75	43A31443Y01	ROLLER,ARM DISC (C)
77	75C30466Y15	DAMPER,DPS2
78	41B11613Y14	SPLING,PULL
79	04B41345P52	WASH,1.6X3.5X0.25
82	44B40523Y02	GEAR,BASE
83	04A40528Y01	WASHER,FELT
84	44A40524Y02	GEAR,CLUTCH
85	41A40529Y01	SPRING,CLUTCH
86	44A40525Y02	GEAR,PINION
87	15A40526Y02	HOLDER,CLUTCH
88	43A41446Y02	SLEEVE,CLUTCH
89	04B41345P25	WASH,L. 3.1X6X0.35
90	03S44205G99	SCR,T-TITE M2X3
92	07A70119Y01	BKT,CLAMPER
93	41A70118Y01	SPG,LEVER
94	75A21286Y05	CUSHION,PWB