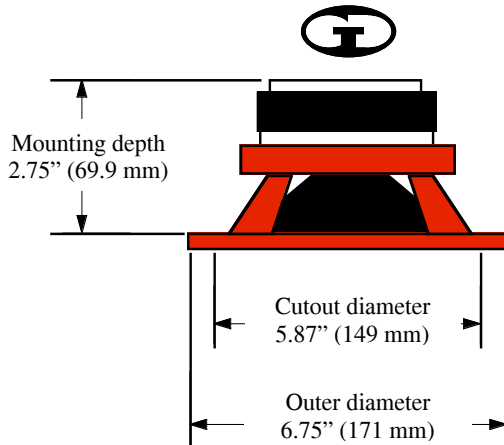


Specifications

Diameter: 6.5" (170mm)
Sensitivity: 93.1 dB
Power Handling: 80 Wrms (160W pk)
Frequency Response: 70 ~ 5000 hz
Nominal Impedance: 4 Ohms
Voice Coil Diameter: 1.0" (26mm)
Dimensions:

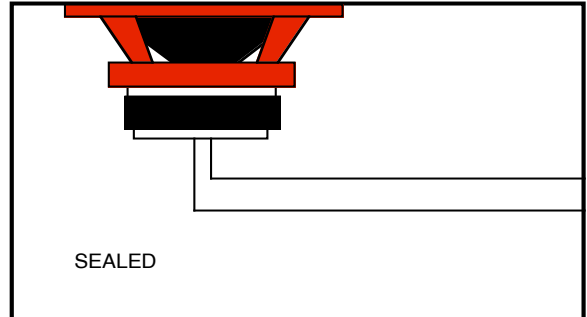


Thiele-Small Paramters

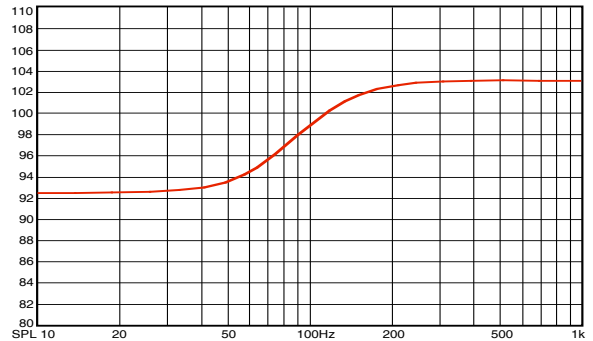
Free Air Resonance: 78.5Hz
Voice Coil DC Resistance: 3.14 ohms
Voice Coil Inductance @ 1 kHz: 0.50 mH
Mechanical Q (Q_{ms}): 2.68
Electrical Q (Q_{es}): 0.56
Total Q (Q_{ts}): 0.46
Compliance Volume (V_{as}): 11.79 l
 0.415 ft³
Moving mass, Diaphragm: 9.11 Gr
Driver Radiating Area (S_d): 137 cm²
 21.23 in²
Motor Force Factor: 5.03 Tm

Note:
 All sealed boxes greater than 0.3 cubic feet are allowable but with non-optimal bass response. Optimal setup for bass in a medium size cab is shown here.

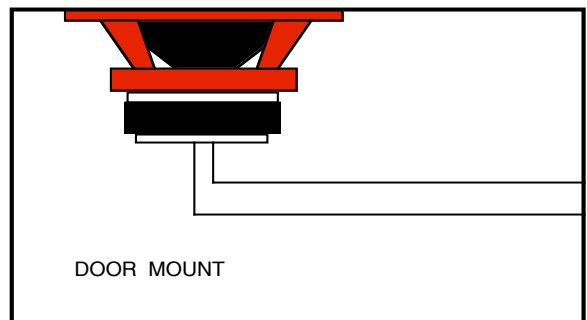
**Box Volume = 0.3 cu. Ft.
(8.5 liters) sealed**



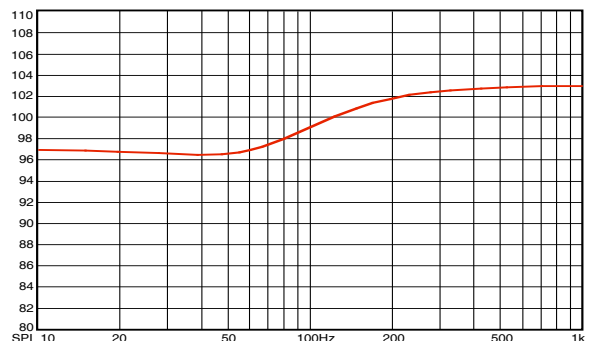
**Sealed Box
Frequency response @ 10 Watts**



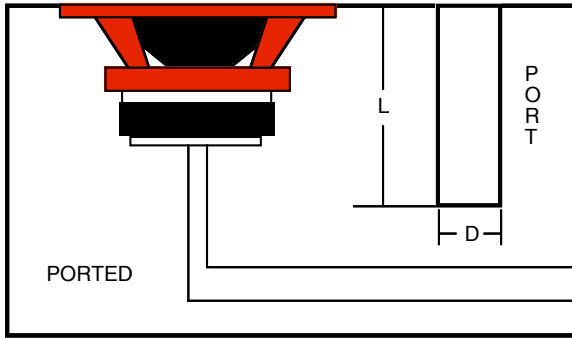
**Door Volume = 1.0cu. Ft.
(28.35 liters)**



**Door Mount
Frequency Response @ 10 Watts**



Box Volume = 0.55 cu. Ft. (15.6 liters)
Tuned to 65hZ Port =2.5”d x 3.9”l



Ported Box
Frequency Response @ 10 Watts

