

The Rockford Fosgate logo is centered in the middle of the page. It features the brand name in a bold, black, sans-serif font. The 'R' is stylized with a triangular shape inside it. The background of the entire page is a light gray with a large, white, stylized graphic of a speaker or woofer cone at the top, which is partially cut off by the top edge of the page.

P18S4

P18S8

P110S4

P110S8

P112S4

P112S8

P115S4

P115S8

P28S4

P28S8

P210S4

P210S8

P212S4

P212S8

P215S4

P215S8

Installation & Operation

Installation et fonctionnement
Instalación y funcionamiento
Einbau und Betrieb
Installazione e funzionamento

Punch Series

SVC - Single Voice Coil Woofers

INTRODUCTION

Dear Customer,

Congratulations on your purchase of the world's finest brand of car audio speakers. At Rockford Fosgate we are fanatics about musical reproduction at its best, and we are pleased you chose our product. Through years of engineering expertise, hand craftsmanship and critical testing procedures, we have created a wide range of products that reproduce music with all the clarity and richness you deserve.

For maximum performance we recommend you have your new Rockford Fosgate product installed by an Authorized Rockford Fosgate Dealer, as we provide specialized training through Rockford Technical Training Institute (RTTI). Please read your warranty and retain your receipt and original carton for possible future use.

Great product and competent installations are only a piece of the puzzle when it comes to your system. Make sure that your installer is using 100% authentic installation accessories from Connecting Punch in your installation. Connecting Punch has everything from RCA cables and speaker wire to Power line and battery connectors. Insist on it! After all, your new system deserves nothing but the best.

To add the finishing touch to your new Rockford Fosgate image order your Rockford accessories, which include everything from T-shirts and jackets to hats and sunglasses.

To get a free brochure on Rockford Fosgate products and Rockford accessories, visit our web site at: www.rockfordfosgate.com or, in the U.S. call 1-800-669-9899 or FAX 1-800-398-3985.

For all other countries, call +001-480-967-3565 or FAX +001-480-967-8132.

PRACTICE SAFE SOUND™

Continuous exposure to sound pressure levels over 100dB may cause permanent hearing loss. High powered auto sound systems may produce sound pressure levels well over 130dB. Use common sense and practice safe sound.

If, after reading your manual, you still have questions regarding this product, we recommend that you see your Rockford Fosgate dealer. If you need further assistance, you can call us direct at 1-800-669-9899. Be sure to have your serial number, model number and date of purchase available when you call.

The serial number can be found on the outside of the box. Please record it in the space provided below as your permanent record. This will serve as verification of your factory warranty and may become useful in recovering your product if it is ever stolen.

Serial Number: _____

Model Number: _____

TABLE OF CONTENTS

Introduction	2	Building an Enclosure	6
Safety Instructions	3	Calculating Volumes	6
Design Features	3	Subwoofer Crossovers	6
Recommended Enclosures	4-5	Specifications	7-8
Sealed Enclosures	4	Limited Warranty Information	9
Vented Enclosures	5	International Instructions	10
Wiring Configurations	6		

NOTE: Review each section for more detailed information.

GETTING STARTED

Welcome to Rockford Fosgate! This manual is designed to provide information for the owner, salesperson and installer. For those of you who want quick information on how to install this product, please turn to the **Installation Section** of this manual. Other information can be located by using the Table of Contents. We, at Rockford Fosgate, have worked very hard to make sure all the information in this manual is current. But, as we are constantly finding new ways to improve our product, this information is subject to change without notice.

SAFETY INSTRUCTIONS

WARNING

This symbol with “**WARNING**” is intended to alert the user to the presence of important instructions. Failure to heed the instructions will result in severe injury or death.

CAUTION

This symbol with “**CAUTION**” is intended to alert the user to the presence of important instructions. Failure to heed the instructions can result in injury or unit damage.

 **CAUTION:** To prevent injury and damage to the unit, please read and follow the instructions in this manual. We want you to enjoy this system, not get a headache.

 **CAUTION** If you feel unsure about installing this system yourself, have it installed by a qualified Rockford Fosgate technician.

 **CAUTION** Before installation, disconnect the battery negative (-) terminal to prevent damage to the unit, fire and/or possible injury.

CONTENTS OF CARTON

Punch SVC Woofer

Installation & Operation Manual

DESIGN FEATURES

The RF Punch SVC Woofers are a full line of low frequency drivers sized from 8" to 15" and are available in 4 or 8 ohm impedance. The RF Punch SVC woofers were designed for use primarily in small, sealed or ported enclosures. By utilizing the latest materials and construction techniques, we are able to offer a speaker with high output at low frequencies while requiring a minimum of operating space.

Visit our web site for the latest information on all Rockford products.

www.rockfordfosgate.com

RECOMMENDED ENCLOSURES

This manual outlines two specific types of enclosures that provide distinctly different performance. This section is to help you decide which type is best for your application.

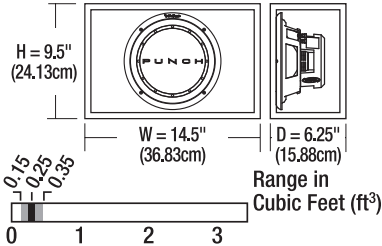
SEALED ENCLOSURES

Sealed enclosures are the simplest to build. The most important part of building a sealed enclosure is to make sure that the enclosure is airtight. Using glue and some type of sealant on all seams will ensure solid construction and prevent air leaks. The box volume will directly impact the performance of the speaker. Larger enclosures will provide flatter response and deeper bass where smaller boxes will provide a bump in the response curve and generally higher output for greater SPL.

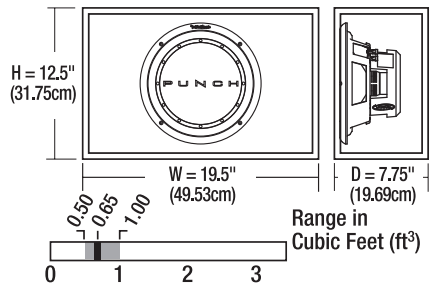
Advantages of sealed enclosures:

- Small enclosures
- Linear (Flat) response
- No port noise
- High power handling at all frequencies
- Excellent for sound quality
- Extended low frequency output when compared to vented enclosures

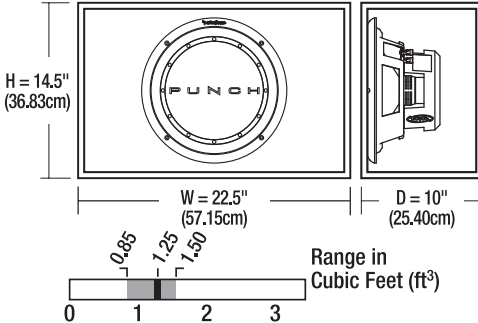
P18S4 / P18S8 / P28S4 / P28S8
Recommended Sealed .25ft³ (7.08L)



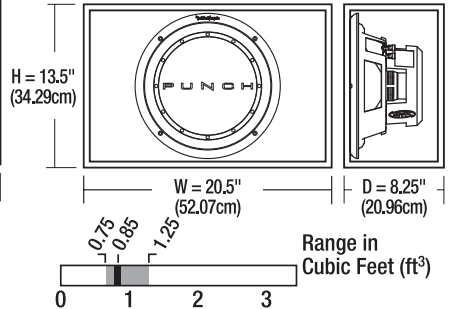
P110S4 / P110S8 / P210S4 / P210S8
Recommended Sealed .65ft³ (18.41L)



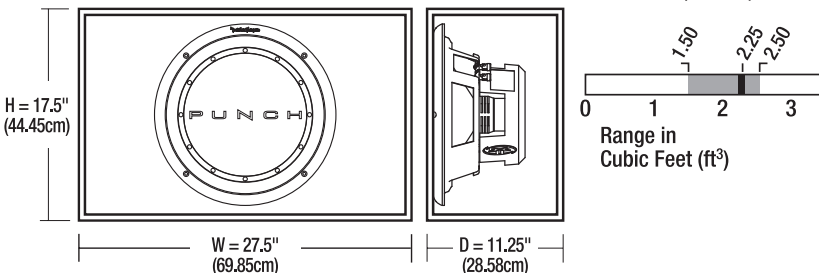
P112S4 / P112S8
Recommended Sealed 1.25ft³ (35.40L)



P212S4 / P212S8
Recommended Sealed .85ft³ (24.07L)



P115S4 / P115S8 / P215S4 / P215S8 Recommended Sealed 2.25ft³ (63.71L)



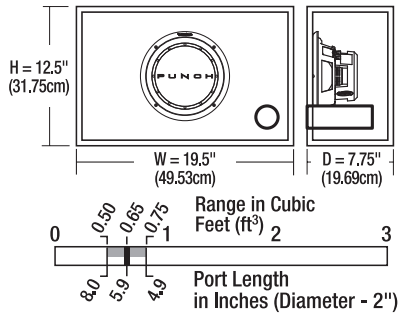
VENTED ENCLOSURES

Vented enclosures vary only from the sealed enclosure in that a vent or port is added to "tune" the enclosure. The enclosures recommended are designed for great overall performance. Larger boxes tend to be easy to tune to lower frequencies while medium and small boxes are easier to tune to higher frequencies. The vented design is less linear in response than the sealed box but with noticeably more output at the tuning frequency.

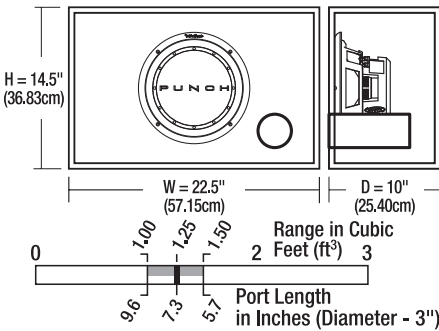
Advantages of vented enclosures:

- Higher average output than sealed
- Tuning frequency can be easily adjusted by changing port length
- Deep bass response with lower power requirements
- Great for high output with limited power

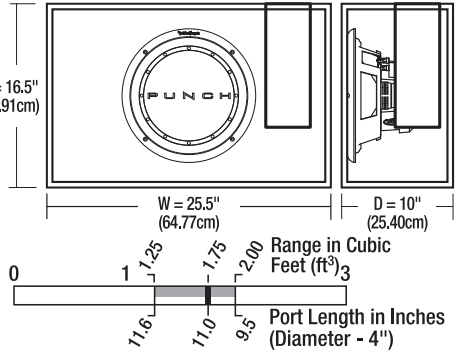
P18S4/P18S8/P28S4/P28S8
Recommended Vented .65ft³ (18.11L)
Recommended Port 2"x 5.9"



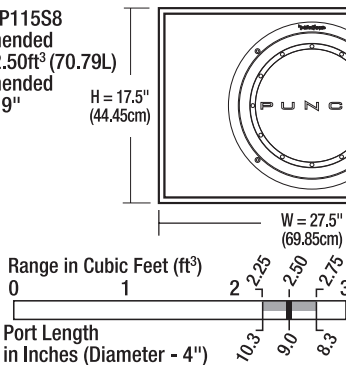
P110S4/P110S8/P210S4/P210S8
Recommended Vented 1.25ft³ (35.40L)
Recommended Port 3"x 7.3"



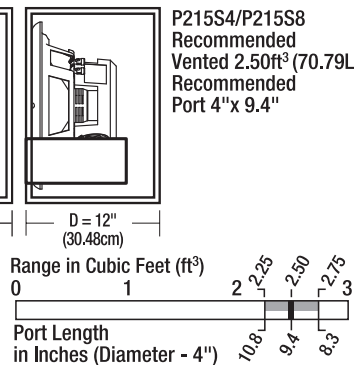
P112S4/P112S8/P212S4/P212S8
Recommended Vented 1.75ft³ (49.55L)
Recommended Port 4"x 11"



P115S4/P115S8
Recommended Vented 2.50ft³ (70.79L)
Recommended Port 4"x 9"



P215S4/P215S8
Recommended Vented 2.50ft³ (70.79L)
Recommended Port 4"x 9.4"

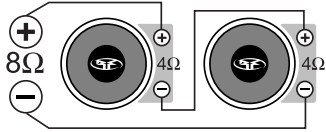


WIRING CONFIGURATIONS

Three configurations for connecting speakers to an amplifier are **Series**, **Parallel**, and **Series-Parallel** wiring. A Series configuration consists of two or more speakers wired in a string (end to end). A Parallel configuration consists of two or more speakers wired with the common terminals connected across each other. A Series-Parallel configuration is a combination of both methods. Determine which method will be compatible with your amplifier.

Series Wiring

(2) 4 ohm Speaker = 8 ohm Load



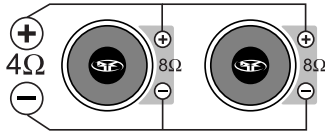
$$R_T = R_1 + R_2 + R_3 + R_4$$

Equations;

R_T = Total Speaker Load $R_1, R_2, \text{ etc.}$ = Each Speaker in System

Parallel Wiring

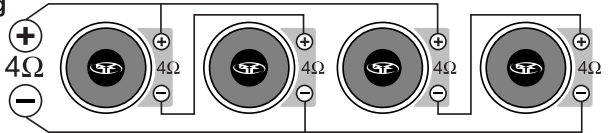
(2) 8 ohm Speaker = 4 ohm Load



$$\frac{1}{R_T} = \frac{1}{R_1} + \frac{1}{R_2} + \frac{1}{R_3} + \frac{1}{R_4}$$

Series-Parallel Wiring

(2) 4 ohm Speaker = 4 ohm Load



BUILDING AN ENCLOSURE

To work properly, the walls of the enclosure must be rigid and not flex when subjected to the high pressures generated by the speaker's operation. For optimum performance, we recommend using 3/4" MDF (Medium Density Fiberboard) and internal bracing. The enclosure should be glued together and secured with nails or screws.

CALCULATING VOLUME

Calculating volume is merely a matter of measuring the dimensions in inches and using the formula:

Box Volume =	Height " x Width" x Depth"
(cubic feet)	1728 cu. in./cu. ft.

If two facing sides are of uneven length, add them together and divide by two to take the average. Using this number will give you the volume without the necessity of calculating the box in sections and adding the sections together. The thickness of the baffle material reduces the internal volume so this must be subtracted from the outside dimensions to determine the internal volume. The speaker itself also reduces the internal volume. The amount of air displaced by each model is listed on the specification sheet and should also be subtracted from the gross volume calculation.

SUBWOOFER CROSSOVERS

There are two operational types of crossovers, passive and active. Passive crossovers (coils or inductors) are placed on the speaker leads between the amplifier and speaker. An active crossover is an electronic filter which separates the audio signal fed to different amplifiers. For optimum subwoofer performance, we recommend using an active 80-100Hz low-pass crossover at 12dB/octave.

FEATURES - Punch SVC P1

- Parabolic Polypropylene Cone
- 1.5" to 2" Voice Coil
- Removable Motor Cover
- 26, 38 and 44oz. Motor Structures
- Flat Spider
- Optimized for Small Sealed Enclosures

Model - Punch SVC	P18S4	P18S8	P110S4	P110S8
Nominal Impedance (ohms)	4	8	4	8
Voice Coil Diameter-inch (mm)	1.5 (38.1)	1.5 (38.1)	1.5 (38.1)	1.5 (38.1)
FS (Hz)	35	36	30	31
QTS	0.518	0.538	0.513	0.524
VAS-cu.ft. (liter)	0.565 (16)	0.565 (16)	1.766 (50)	1.766 (50)
Xmax-inch (mm)	0.276 (7.0)	0.276 (7.0)	0.303 (7.7)	0.303 (7.7)
SPL (dB @ 1w/1m)	83.0	83.0	85.5	85.5
Power Handling (RMS)	150	150	150	150
Power Handling (Max)	300	300	300	300
Mounting Dia.-inch (mm)	7-1/16 (179.38)	7-1/16 (179.38)	9-1/4 (234.95)	9-1/4 (234.95)
Mounting Depth-inch (mm)	4-1/16 (103.19)	4-1/16 (103.19)	5-3/16 (131.76)	5-3/16 (131.76)
Speaker Dis.-cu. ft. (liter)	0.020 (0.508)	0.020 (0.508)	0.034 (0.864)	0.034 (0.864)
Sealed Box Vol.-cu. ft. (liter)	0.25 (7.08)	0.25 (7.08)	0.65 (18.41)	0.65 (18.41)
Vented Box Vol.-cu. ft. (liter)	0.65 (18.41)	0.65 (18.41)	1.25 (35.40)	1.25 (35.40)
Port Diameter & Length (in.)	(1) 2 x 5.9	(1) 2 x 5.9	(1) 3 x 7.3	(1) 3 x 7.3
Port Diameter & Length (cm)	(1) 5.08 x 14.99	(1) 5.08 x 14.99	(1) 7.62 x 18.54	(1) 7.62 x 18.54

Number of ports noted in ()

Model - Punch SVC	P112S4	P112S8	P115S4	P115S8
Nominal Impedance (ohms)	4	8	4	8
Voice Coil Diameter-inch (mm)	1.5 (38.1)	1.5 (38.1)	2.0 (50.8)	2.0 (50.8)
FS (Hz)	25	26	22	23
QTS	0.594	0.624	0.680	0.697
VAS-cu.ft. (liter)	3.779 (107)	3.779 (107)	8.829 (250)	8.829 (250)
Xmax-inch (mm)	0.303 (7.7)	0.303 (7.7)	0.315 (8.0)	0.315 (8.0)
SPL (dB @ 1w/1m)	86.0	86.0	87.0	87.0
Power Handling (RMS)	150	150	200	200
Power Handling (Max)	300	300	400	400
Mounting Dia.-inch (mm)	11-1/8 (282.58)	11-1/8 (282.58)	13-7/8 (352.43)	13-7/8 (352.43)
Mounting Depth-inch (mm)	5-5/8 (142.88)	5-5/8 (142.88)	7-1/8 (180.98)	7-1/8 (180.98)
Speaker Dis.-cu. ft. (liter)	0.042 (1.067)	0.042 (1.067)	0.077 (1.956)	0.077 (1.956)
Sealed Box Vol.-cu. ft. (liter)	1.25 (35.40)	1.25 (35.40)	2.25 (63.71)	2.25 (63.71)
Vented Box Vol.-cu. ft. (liter)	1.75 (49.55)	1.75 (49.55)	2.50 (70.79)	2.50 (70.79)
Port Diameter & Length (in.)	(1) 4 x 11	(1) 4 x 11	(1) 4 x 9	(1) 4 x 9
Port Diameter & Length (cm)	(1) 10.16 x 27.94	(1) 10.16 x 27.94	(1) 10.16 x 22.86	(1) 10.16 x 22.86

Number of ports noted in ()

Specifications subject to change without notice

SPECIFICATIONS

FEATURES - Punch SVC P2

- Parabolic Injection Molded Polypropylene Cone
- 2" Voice Coil
- Steel Basket with Removable Motor Cover
- 30 and 60oz. Motor Structures
- Linear Spider
- Optimized for Small Sealed Enclosures

Model - Punch SVC	P28S4	P28S8	P210S4	P210S8
Nominal Impedance (ohms)	4	8	4	8
Voice Coil Diameter-inch (mm)	2.0 (50.8)	2.0 (50.8)	2.0 (50.8)	2.0 (50.8)
FS (Hz)	35	36	28	29
QTS	0.491	0.515	0.437	0.500
VAS-cu.ft. (liter)	0.565 (16)	0.565 (16)	1.483 (42)	1.483 (42)
Xmax-inch (mm)	0.315 (8.0)	0.315 (8.0)	0.433 (11.0)	0.433 (11.0)
SPL (dB @ 1w/1m)	84.0	84.0	85.8	85.8
Power Handling (RMS)	200	200	200	200
Power Handling (Max)	400	400	400	400
Mounting Dia.-inch (mm)	7-1/16 (179.38)	7-1/16 (179.38)	9-1/4 (234.95)	9-1/4 (234.95)
Mounting Depth-inch (mm)	4 (101.60)	4 (101.60)	5-5/8 (142.88)	5-5/8 (142.88)
Speaker Dis.-cu. ft. (liter)	0.024 (0.610)	0.024 (0.610)	0.040 (1.016)	0.040 (1.016)
Sealed Box Vol.-cu. ft. (liter)	0.25 (7.08)	0.25 (7.08)	0.65 (18.41)	0.65 (18.41)
Vented Box Vol.-cu. ft. (liter)	0.65 (18.41)	0.65 (18.41)	1.25 (35.40)	1.25 (35.40)
Port Diameter & Length (in.)	(1) 2 x 5.9	(1) 2 x 5.9	(1) 3 x 7.3	(1) 3 x 7.3
Port Diameter & Length (cm)	(1) 5.08 x 14.99	(1) 5.08 x 14.99	(1) 7.62 x 18.54	(1) 7.62 x 18.54

Number of ports noted in ()

Model - Punch SVC	P212S4	P212S8	P215S4	P215S8
Nominal Impedance (ohms)	4	8	4	8
Voice Coil Diameter-inch (mm)	2.0 (50.8)	2.0 (50.8)	2.0 (50.8)	2.0 (50.8)
FS (Hz)	25	26	21	22
QTS	0.488	0.526	0.560	0.578
VAS-cu.ft. (liter)	3.426 (97)	3.426 (97)	8.829 (250)	8.829 (250)
Xmax-inch (mm)	0.433 (11.0)	0.433 (11.0)	0.433 (11.0)	0.433 (11.0)
SPL (dB @ 1w/1m)	86.0	86.0	87.5	87.5
Power Handling (RMS)	200	200	250	250
Power Handling (Max)	400	400	500	500
Mounting Dia.-inch (mm)	11-1/8 (282.58)	11-1/8 (282.58)	13-7/8 (352.43)	13-7/8 (352.43)
Mounting Depth-inch (mm)	6-1/16 (153.98)	6-1/16 (153.98)	7-3/8 (187.33)	7-3/8 (187.33)
Speaker Dis.-cu. ft. (liter)	0.049 (1.245)	0.049 (1.245)	0.076 (1.930)	0.076 (1.930)
Sealed Box Vol.-cu. ft. (liter)	0.85 (24.07)	0.85 (24.07)	2.25 (63.71)	2.25 (63.71)
Vented Box Vol.-cu. ft. (liter)	1.75 (49.55)	1.75 (49.55)	2.50 (70.79)	2.50 (70.79)
Port Diameter & Length (in.)	(1) 4 x 11	(1) 4 x 11	(1) 4 x 9.4	(1) 4 x 9.4
Port Diameter & Length (cm)	(1) 10.16 x 27.94	(1) 10.16 x 27.94	(1) 10.16 x 23.88	(1) 10.16 x 23.88

Number of ports noted in ()

Specifications subject to change without notice

Rockford Corporation offers a limited warranty on Rockford Fosgate products on the following terms:

Length of Warranty

Source Units, Speakers, Signal Processors and PUNCH Amplifiers – 1 Year
POWER Amplifiers – 2 Years Type RF Amplifiers – 3 Years
Any Factory Refurbished Product – 90 days (receipt required)

What is Covered

This warranty applies only to Rockford Fosgate products sold to consumers by Authorized Rockford Fosgate Dealers in the United States of America or its possessions. Product purchased by consumers from an Authorized Rockford Fosgate Dealer in another country are covered only by that country's Distributor and not by Rockford Corporation.

Who is Covered

This warranty covers only the original purchaser of Rockford product purchased from an Authorized Rockford Fosgate Dealer in the United States. In order to receive service, the purchaser must provide Rockford with a copy of the receipt stating the customer name, dealer name, product purchased and date of purchase.

Products found to be defective during the warranty period will be repaired or replaced (with a product deemed to be equivalent) at Rockford's discretion.

What is Not Covered

1. Damage caused by accident, abuse, improper operations, water, theft, shipping
2. Any cost or expense related to the removal or reinstallation of product
3. Service performed by anyone other than Rockford or an Authorized Rockford Fosgate Service Center
4. Any product which has had the serial number defaced, altered, or removed
5. Subsequent damage to other components
6. Any product purchased outside the U.S.
7. Any product not purchased from an Authorized Rockford Fosgate Dealer

Limit on Implied Warranties

Any implied warranties including warranties of fitness for use and merchantability are limited in duration to the period of the express warranty set forth above. Some states do not allow limitations on the length of an implied warranty, so this limitation may not apply. No person is authorized to assume for Rockford Fosgate any other liability in connection with the sale of the product.

How to Obtain Service

Contact the Authorized Rockford Fosgate Dealer you purchased this product from. If you need further assistance, call 1-800-669-9899 for Rockford Customer Service. You must obtain an RA# (Return Authorization number) to return any product to Rockford Fosgate. You are responsible for shipment of product to Rockford.

EU Warranty

This product meets the current EU warranty requirements, see your Authorized dealer for details.

Ship to: **Electronics**
Rockford Corporation
Warranty Repair Department
2055 E. 5th Street
Tempe, AZ 85281
RA#: _____

Ship to: **Speakers**
Rockford Acoustic Design
Speaker Returns
2356 Turner Ave. NW
Grand Rapids, MI 49544
RA#: _____

INTRODUCTION

Cher client,

Français

Toutes nos félicitations pour avoir acheté la meilleure marque de haut-parleurs pour automobile. Chez Rockford Fosgate nous sommes des mordus de la reproduction musicale à son meilleur. C'est pourquoi nous sommes heureux que vous ayez choisi notre produit. Des années d'expertise en ingénierie, de savoir-faire et d'essais poussés nous ont permis de créer une vaste gamme de produits capables de reproduire toute la clarté et la richesse musicales que vous méritez.

Pour obtenir les meilleurs résultats, nous vous recommandons de faire installer votre nouvel appareil par un distributeur agréé Rockford Fosgate formé spécialement par notre Institut de formation technique Rockford (RTTI). Prenez soin de lire la garantie et conservez votre reçu ainsi que l'emballage d'origine pour usage ultérieur.

Pour monter un excellent système, il ne suffit pas de posséder un super produit et d'assurer une installation qualifiée compétente. Vous devez veiller à ce que votre installateur utilise des accessoires d'origine fournis par Connecting Punch. Connecting Punch a tout ce qu'il vous faut, des câbles RCA aux câbles de haut-parleurs, en passant par les câbles d'alimentation et les connecteurs de batterie. Insistez pour les avoir! Après tout, votre nouveau système ne mérite rien de moins.

Pour compléter votre nouvelle image Rockford Fosgate, commandez des accessoires Rockford tels que T-shirts, vestes, chapeaux et lunettes de soleil.

Pour obtenir une brochure gratuite sur les produits Rockford Fosgate et les accessoires Rockford, Visitez notre site Web : www.rockfordfosgate.com

ou, aux États-Unis, appelez le 1-800-669-9899 ou envoyez un fax au 1-800-398-3985.

Pour tous les autres pays, appelez le +001-480-967-3565 ou faxez au +001-480-967-8132.

PRATIQUEZ UNE ÉCOUTE SANS RISQUES^{MD}

Une exposition continue à des niveaux de pression acoustique supérieurs à 100 dB peut causer une perte d'acuité auditive permanente. Les systèmes audio de forte puissance pour auto peuvent produire des niveaux de pression acoustique bien au-delà de 130 dB.

Faites preuve de bon sens et pratiquez une écoute sans risques

Si vous avez encore des questions à propos de ce produit, même après avoir lu ce manuel, contactez votre concessionnaire Rockford Fosgate agréé. Si vous avez besoin d'aide, appelez-nous au 1-800-669-9899. Veuillez avoir les numéros de modèle et de série, ainsi que la date d'achat de l'appareil à portée de main lorsque vous appelez.

Le numéro de série est indiqué sur l'extérieur de l'emballage. Veuillez l'inscrire ci-dessous dans l'espace réservé à cet effet. Ceci permettra de vérifier votre garantie et de retrouver votre appareil en cas de vol.

Numéro de série :

Numéro de modèle : _____

TABLE DES MATIÈRES

Introduction	2	Fabrication d'une enceinte	5
Consignes de sécurité	3	Calcul du volume	5
Particularités techniques	3	Filtres de subwoofer	5
Enceintes recommandées	4	Caractéristiques	6
Enceintes étanches	4	Information sur la garantie limitée	7
Enceintes à évent	4		
Configuration du câblage	4		

NOTE : consultez chaque section pour de plus amples informations.

AVANT DE COMMENCER

Bienvenue à Rockford Fosgate ! Ce manuel vise à informer le propriétaire, le vendeur et l'installateur de l'appareil. Si vous désirez apprendre rapidement comment installer ce produit, consultez la section Installation du manuel. Reportez-vous à la Table des matières pour d'autres informations. Nous nous efforçons de faire en sorte que toutes les informations contenues dans ce manuel soient à jour. Mais comme nous améliorons constamment nos produits, nous nous réservons le droit de modifier ces informations sans aucun préavis.


CONSIGNES DE SÉCURITÉ


AVERTISSEMENT


Le symbole accompagnant le mot « **AVERTISSEMENT** » signale à l'utilisateur la présence d'instructions importantes. Le non-respect de ces instructions causera des blessures graves ou la mort.

MISE EN GARDE

Le symbole accompagnant l'expression « **MISE EN GARDE** » signale à l'utilisateur la présence d'instructions importantes. Le non-respect de ces instructions peut causer des blessures ou endommager l'appareil.

 **MISE EN GARDE :** pour éviter des blessures et ne pas endommager l'appareil, veuillez lire et suivre les instructions du manuel. Nous espérons que ce système vous procurera du plaisir et non des tracas.

 **MISE EN GARDE :** si vous vous sentez incapable d'installer l'appareil vous-même, confiez la tâche à un technicien Rockford Fosgate qualifié.

 **MISE EN GARDE :** avant d'entamer l'installation, déconnectez la broche négative (-) de la batterie pour éviter tout risque de blessures, d'incendie ou de dommages à l'appareil.

CONTENU DE L'EMBALLAGE

Haut-parleur de graves Punch SVC

Manuel d'installation et d'utilisation

PARTICULARITÉS TECHNIQUES

Les haut-parleurs de graves RF Punch SVC constituent une gamme complète de haut-parleurs à basse fréquence mesurant 8 à 15 pouces et disponibles avec des impédances de 4 ou 8 ohms. Les haut-parleurs de graves RF Punch SVC ont été spécialement conçus pour des enceintes petites, étanches ou résonnantes. L'utilisation des matériaux et des techniques de fabrication les plus modernes nous permettent d'offrir un haut-parleur basses fréquences très puissant mais peu encombrant.

Visitez notre site Web pour obtenir les dernières informations sur tous les produits Rockford.

www.rockfordfosgate.com

ENCEINTES RECOMMANDÉES

Ce manuel décrit deux types particuliers d'enceintes aux performances tout à fait distinctes. Cette section vous permettra de décider celui qui vous conviendra le mieux.

ENCEINTES ÉTANCHES

Les enceintes étanches sont les plus faciles à fabriquer. À cet égard, la chose la plus importante dans leur fabrication est de vous assurer qu'elles sont vraiment hermétiques. Appliquez de la colle et un produit d'étanchéité sur tous les joints pour solidifier l'ensemble et empêcher toute fuite d'air. Le volume du caisson influe directement sur la performance du haut-parleur. Les enceintes de plus grande dimension délivrent une réponse uniforme en fréquence avec des graves profonds alors que les enceintes plus petites ont une courbe de réponse plus prononcée et un rendement généralement supérieur pour un niveau de pression acoustique plus élevé.

Avantage des enceintes étanches :

- Petites enceintes
- Réponse linéaire (uniforme)
- Pas de bruit d'évent
- Puissance élevée sur toutes les fréquences
- Excellentes en ce qui concerne la qualité du son

ENCEINTES À ÉVENT

Les enceintes à événement se distinguent des enceintes étanches du fait qu'on y ajoute un événement ou port pour les « accorder ». Les enceintes recommandées sont conçues pour offrir d'excellentes performances. Il est généralement plus facile d'accorder les caissons plus grands pour l'obtention de basses fréquences et les caissons moyens et petits pour des fréquences plus élevées. Les enceintes à événement ont une réponse moins linéaire que les enceintes étanches mais dégagent nettement plus de puissance à la fréquence d'accord.

Avantages des enceintes à événement :

- Rendement moyen supérieur par rapport aux modèles étanches
- La fréquence d'accord peut être facilement réglée en changeant la longueur de l'événement
- Reproduction profonde des basses avec une puissance d'entrée moindre
- Excellent choix pour un rendement élevé à faible puissance d'entrée

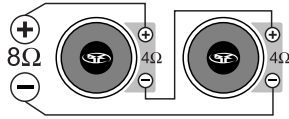
Voir « Enclosures » (enceintes) aux pages 4 et 5 de la section en anglais

CONFIGURATION DU CÂBLAGE

Il existe trois façons de brancher des haut-parleurs à un ampli : câblage **série**, **parallèle** ou **série/parallèle**. La configuration série consiste à câbler deux ou plusieurs haut-parleurs en chaîne (bout à bout). La configuration parallèle consiste à câbler deux ou plusieurs haut-parleurs en branchant ensemble leurs bornes communes. La configuration série/parallèle combine les deux méthodes. Déterminez la méthode qui est compatible avec votre ampli.

Series Wiring

(2) 4 ohm Speaker = 8 ohm Load



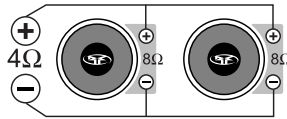
$$R_T = R_1 + R_2 + R_3 + R_4$$

Equations;

R_T = Total Speaker Load $R_1, R_2, \text{ etc.}$ = Each Speaker in System

Parallel Wiring

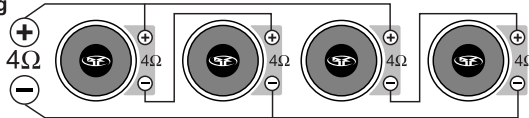
(2) 8 ohm Speaker = 4 ohm Load



$$\frac{1}{R_T} = \frac{1}{R_1} + \frac{1}{R_2} + \frac{1}{R_3} + \frac{1}{R_4}$$

Series-Parallel Wiring

(2) 4 ohm Speaker
= 4 ohm Load



CONSTRUIRE UN CAISSON

Pour fonctionner convenablement les parois du caisson doivent être rigides lorsqu'elles sont soumises aux hautes pressions dues au fonctionnement du haut-parleur. Nous vous recommandons d'utiliser des panneaux de bois aggloméré à haute ou moyenne densité de particules de type "MDF". Ces panneaux sont disponibles dans la plupart des magasins de bricolage. Pour un caisson de grand volume il est recommandé de placer des renforts à l'intérieur du caisson. Les différents côtés devront être collés (colle à bois) et vissés (ou éventuellement cloués). Il est recommandé de mettre un joint de silicone dans les arêtes internes du caisson afin d'éviter les fuites d'air.

CALCU DU VOLUME

On calcule le volume en mesurant la dimension de chaque côté et en utilisant la formule suivante:

Volume du caisson =	$\frac{\text{Hauteur (cm)} \times \text{Longueur (cm)} \times \text{Largeur (cm)}}{1000 \text{ cc/liter}}$
(Litres)	

Si les deux côtés qui se font face n'ont pas la même longueur, additionnez les et divisez le résultat par deux pour obtenir la moyenne des deux longueurs. Utilisez le nombre ainsi obtenu dans la formule pour déterminer le litrage. Cette méthode permet d'obtenir le volume du caisson sans devoir faire de calculs compliqués de section de volume. L'épaisseur du matériau dont est fait le caisson réduit le volume interne de celui-ci. Lorsqu'on mesure les côtés du caisson il ne faut donc pas oublier d'oter des mesures l'épaisseur du matériau. Le haut-parleur lui-même diminue le volume interne du caisson. Le volume d'air déplacé par chaque modèle de haut-parleur est repris dans les spécifications techniques et doit également être soustrait du volume total.

FILTRES DE SUBWOOFER

On distingue deux types de filtres opérationnels : passif et actif. Les filtres passifs (bobines ou inducteurs) sont placés sur les fils de haut-parleur, entre l'ampli et le haut-parleur. Un filtre actif est un filtre électronique qui sépare le signal audio envoyé à différents amplis. Pour obtenir une performance optimale du subwoofer, nous recommandons l'utilisation d'un filtre actif passe-bas 80-100 Hz à 12 dB/octave.

CARACTÉRISTIQUES

Voir « *Specifications* » (*caractéristiques techniques*) aux pages 7 et 8 de la section en anglais

Français

Les spécifications sont sujettes à changements sans préavis

Rockford Corporation offre une garantie limitée sur les produits Rockford Fosgate selon les termes suivants :

Durée de la garantie

Sources audio, haut-parleurs, processeurs de signaux et amplificateurs PUNCH — 1 an

Amplificateurs POWER — 2 ans

Amplificateurs Type RF — 3 ans

Tout produit remis à neuf en usine — 90 jours (reçu obligatoire)

Couverture

Cette garantie s'applique uniquement aux produits Rockford Fosgate vendus à des consommateurs par des distributeurs agréés Rockford Fosgate, aux États-Unis d'Amérique et leurs territoires. Les produits achetés par des consommateurs auprès d'un distributeur agréé Rockford Fosgate, dans un autre pays, sont couverts par le distributeur de ce pays et non par Rockford Corporation.

Qui est couvert?

Cette garantie s'applique uniquement à l'acheteur initial du produit Rockford acheté aux États-Unis auprès d'un distributeur agréé Rockford Fosgate. Afin de bénéficier du service de garantie, l'acheteur doit fournir à Rockford une copie du reçu indiquant le nom du client, le nom du distributeur, le produit acheté et la date d'achat.

Les produits jugés défectueux durant la période de garantie seront réparés ou remplacés (par un produit jugé équivalent) au choix de Rockford.

Non-couverture

1. Dommages pour cause d'accident, d'abus, de mauvaise utilisation, d'eau, de vol, de transport
2. Coûts et frais relatifs au retrait ou à la réinstallation du produit
3. Service effectué par quelqu'un d'autre que Rockford ou un centre de service autorisé Rockford Fosgate
4. Tout produit dont le numéro de série a été oblitéré, altéré ou enlevé
5. Dommages subséquents infligés à d'autres composants
6. Tout produit acheté en dehors des États-Unis
7. Tout produit qui n'a pas été acheté auprès d'un distributeur agréé Rockford Fosgate

Limite sur les garanties implicites

Toute garantie implicite, y compris toute garantie d'adéquation à un usage particulier et de commercialité, est limitée dans le temps à la période de la garantie expresse énoncée ci-dessus. Certaines juridictions ne permettent pas de limitation sur la durée des garanties implicites. En conséquence, l'exclusion ci-dessus peut ne pas vous être applicable. Aucune personne n'est autorisée à assumer une quelconque autre responsabilité au nom de Rockford Fosgate relative à la vente de ce produit.

Pour l'obtention de service

Contactez le distributeur agréé Rockford Fosgate qui vous a vendu ce produit.

Si vous avez besoin d'aide, appelez le service à la clientèle Rockford au 1-800-669-9899. Vous devez obtenir un numéro d'autorisation de retour de marchandise (RA#) avant de renvoyer le produit à Rockford Fosgate. La responsabilité de l'envoi du produit à Rockford vous incombe entièrement.

Garantie de l'Union Européenne

Ce produit est conforme aux exigences de garantie actuelles de l'UE. Voir votre distributeur agréé pour plus de détails.

Destinataire : **Electronics**
Rockford Corporation
Warranty Repair Department
2055 E. 5th Street
Tempe, AZ 85281
RA# : _____

Destinataire : **Speakers**
Rockford Acoustic Design
Speaker Returns
2356 Turner Ave. NW
Grand Rapids, MI 49544
RA# : _____

INTRODUCCIÓN

Estimado Cliente:

Felicitaciones por la compra de la mejor marca del mundo en altavoces para automóviles. En Rockford Fosgate somos fanáticos de la mejor reproducción musical y estamos agradecidos de que haya escogido nuestro producto. Con muchos años de experiencia en ingeniería, conocimiento del oficio y procedimientos de prueba críticos, hemos creado un amplio rango de productos que reproducen música con toda la claridad y riqueza que usted se merece.

Para obtener el mejor rendimiento, le recomendamos que su nuevo producto de Rockford Fosgate sea instalado por un Concesionario Autorizado de Rockford Fosgate, ya que a través del Instituto de Capacitación Técnica Rockford (RTTI) ofrecemos capacitación especializada. Por favor lea su garantía y retenga su recibo y caja original para uso como referencia en el futuro.

Cuando se trata de su sistema, la excelencia del producto y la instalación competente sólo representan una pieza del rompecabezas. Asegúrese de que la persona que instale su sistema utilice accesorios de Connecting Punch 100% auténticos. Connecting Punch tiene todos los accesorios necesarios. Desde cables RCA y cableado para parlantes hasta líneas de alimentación y conectores de batería. ¡Insista en esto! Después de todo, su nuevo sistema sólo se merece lo mejor.

Para agregar el toque final a su nueva imagen Rockford Fosgate pida sus accesorios Rockford, que incluyen playeras, chaquetas, gorras y anteojos para sol.

Para obtener un folleto gratis de los productos de Rockford Fosgate y accesorios Rockford

visite nuestro sitio web en: www.rockfordfosgate.com

o, en los EE.UU. llame al 1-800-669-9899 o por fax al 1-800-398-3985.

Para todos los demás países, llame al +001-480-967-3565 o envíe un FAX al +001-480-967-8132.

PRACTIQUE EL SONIDO SEGURO

El contacto continuo con niveles de presión de sonido superiores a 100 dB puede causar la pérdida permanente de la audición. Los sistemas de sonido para automóviles de alta potencia pueden producir niveles de presión de sonido superiores a los 130 dB. Use su sentido común y practique el sonido seguro.

Si después de leer su manual tiene preguntas sobre este producto, le recomendamos que consulte a su concesionario de Rockford Fosgate. Si necesita asistencia adicional, puede llamarnos directamente al 1-800-669-9899. Asegúrese de tener su número de serie, número de modelo y fecha de compra disponibles cuando usted llame.

El número de serie se encuentra en el exterior de la caja. Por favor, escríbalo en el espacio que se indica a continuación para tener una anotación permanente. Eso servirá como verificación de la garantía de fábrica y podría ser de utilidad para recuperar su producto si se lo roban.

Número de serie: _____

Número de modelo: _____

ÍNDICE DE MATERIAS

Introducción	2
Instrucciones de seguridad	3
Características del diseño	3
Cajas recomendadas	4
Cajas cerradas	4
Cajas con orificios	4
Configuraciones del cableado	4

Construcción de una caja	5
Cálculo de volúmenes	5
Filtros de transición del altavoz para sonidos graves (Subwoofer X-Overs)	5
Especificaciones	6
Información sobre la garantía limitada	7

NOTA: Lea cada sección para obtener información más detallada.

CÓMO COMENZAR

¡Bienvenido a Rockford Fosgate! Este manual ha sido creado para proporcionarle información al dueño, vendedor y técnico de instalación. Para quienes desean información rápida sobre cómo instalar este producto, por favor vean la **Sección Instalación** de este manual. El resto de la información puede encontrarse usando el Índice de Materias. Nosotros, en Rockford Fosgate, hemos trabajado mucho para asegurarnos que toda la información de este manual esté actualizada. Pero, como estamos encontrando nuevas maneras de mejorar nuestros productos constantemente, esta información está sujeta a cambio sin previo aviso.

INSTRUCCIONES DE SEGURIDAD



ADVERTENCIA

Este símbolo de **"ADVERTENCIA"** tiene por objeto alertar al usuario sobre la presencia de instrucciones de importancia. No tener en cuenta las instrucciones podría resultar en lesiones severas o muerte.



PRECAUCIÓN

Este símbolo de **"PRECAUCIÓN"** tiene por objeto alertar al usuario sobre la presencia de instrucciones de importancia. No tener en cuenta las instrucciones podría resultar en lesiones o daños a la unidad.



PRECAUCIÓN:

Para prevenir lesiones y daño a la unidad, por favor lea y cumpla las instrucciones de este manual. Queremos que disfrute este sistema, no que le de un dolor de cabeza.



PRECAUCIÓN

Si no tiene la certeza de poder instalar el sistema, hágalo instalar por una persona técnicamente calificada por Rockford Fosgate.



PRECAUCIÓN

Antes de la instalación, desconecte el terminal negativo (-) de la batería para que evite posibles lesiones, daños a la unidad o incendio.

CONTENIDOS DE LA CAJA

Altavoz Punch SVC de sonidos graves

Manual de instalación y funcionamiento

CARACTERÍSTICAS DEL DISEÑO

Los altavoces RF Punch SVC son una línea completa de altavoces de baja frecuencia en tamaños de 8" a 15" y están disponibles con impedancias de 4 u 8 ohmios. Los altavoces RF Punch SVC fueron diseñados para usarlos primordialmente en cajas pequeñas, cerradas o con orificios. Al utilizar lo último en materiales y técnicas de construcción, podemos ofrecer un altavoz con gran salida a bajas frecuencias, a la vez que exige un mínimo de espacio para funcionamiento.

Visite nuestro sitio web para obtener la información más reciente sobre todos los productos Rockford.

www.rockfordfosgate.com

CAJAS RECOMENDADAS

Este manual delinea dos tipos específicos de cajas que producen rendimientos inconfundiblemente diferentes. Esta sección es para ayudarle a decidir cuál tipo es el mejor para su aplicación.

CAJAS CERRADAS

Las cajas cerradas son las más fáciles de hacer. La parte más importante de la construcción de una caja cerrada es garantizar su hermetismo. El uso de pegante y algún tipo de sellador en todos los bordes garantizará una construcción sólida y evitará fugas de aire. El volumen de la caja impacta directamente el rendimiento del altavoz. Las cajas más grandes ofrecen una respuesta más plana y un bajo más profundo, mientras que las más pequeñas ofrecen un incremento en la curva de respuesta y generalmente una salida mayor, para un mayor NPS.

Ventajas de las cajas cerradas:

- Cajas pequeñas
- Respuesta lineal (plana)
- No hay ruido del orificio
- Capacidad de alta potencia en todas las frecuencias
- Excelentes para la calidad del sonido

CAJAS CON ORIFICIOS

Las cajas con orificios sólo se diferencian de las cerradas en que se les hace un orificio para "sintonizarlas." Las cajas recomendadas son diseñadas para un gran rendimiento general. Las cajas grandes tienden a ser fáciles de sintonizar en las frecuencias graves, mientras que medianas y pequeñas son más fáciles de sintonizar en las frecuencias más altas. El diseño con orificios es de una respuesta menos lineal que el de la caja cerrada, pero tiene una salida notablemente mayor en la frecuencia de sintonización.

Ventajas de las cajas con orificios:

- Un promedio de salida mayor que las cerradas
- La frecuencia de sintonización se ajusta fácilmente al cambiar la longitud del orificio
- Respuesta de bajo profundo con menos exigencia de potencia
- Fabulosas para salida alta con potencia limitada

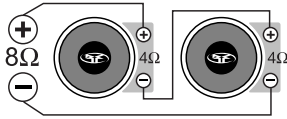
Ver las inclusiones en las páginas 4 y 5 de la sección en inglés

CONFIGURACIONES DEL CABLEADO

Tres configuraciones para conectar los altavoces a un amplificador son el cableado en **Serie, Paralelo y Serie-Paralelo**. La configuración en serie consiste en dos o más altavoces conectados en cadena (de punta a punta). La configuración paralela consiste en la conexión de los terminales en común de dos o más altavoces entre sí. La configuración en Serie-Paralela es una combinación de ambos métodos. Determine cuál de los métodos es compatible con su amplificador.

Series Wiring

(2) 4 ohm Speaker = 8 ohm Load



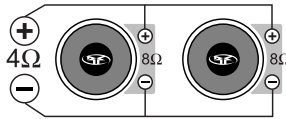
$$R_T = R_1 + R_2 + R_3 + R_4$$

Equations;

R_T = Total Speaker Load $R_1, R_2, \text{ etc.}$ = Each Speaker in System

Parallel Wiring

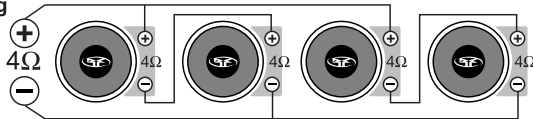
(2) 8 ohm Speaker = 4 ohm Load



$$\frac{1}{R_T} = \frac{1}{R_1} + \frac{1}{R_2} + \frac{1}{R_3} + \frac{1}{R_4}$$

Series-Parallel Wiring

(2) 4 ohm Speaker = 4 ohm Load



CONSTRUCCIÓN DE UNA CAJA

Para un buen funcionamiento las paredes de la caja deben ser rígidas y no se deben doblar cuando sean sometidas a la gran presión que ejerce el funcionamiento del altavoz. Recomendamos usar madera comprimida de mediana densidad, de 1.9 cm o fibra de media densidad. Si la caja es muy grande es necesario reforzarla internamente. Las juntas deben ser encoladas y aseguradas con tornillos o grapas. Internamente los bordes deben ser sellados con silicona para prevenir las fugas de aire. La cola para madera es la mejor opción.

CÁLCULO DE VOLÚMENES

Para calcular el volumen sólo se han de medir las dimensiones en centímetros y aplicar la fórmula:

<p style="text-align: center;"> Volumen du la caja = $\frac{\text{Alto(cm)} \times \text{Ancho(cm)} \times \text{Profundidad(cm)}}{1000 \text{ cc/litro}}$ (en litros) </p>
--

Si dos caras opuestas son de diferente tamaño, súmelas y divida el total por dos para obtener el promedio. Usando esta técnica se ahorrara el cálculo por secciones. El espesor del material con que está construida la caja reduce el volumen interno, de manera que ha de restarse de las dimensiones exteriores para determinar el volumen interior. La cantidad de aire que ocupa cada modelo viene especificado en la hoja de características y también debe sustraerse para obtener el volumen neto interior.

FILTROS DE TRANSICIÓN DEL ALTAVOZ PARA SONIDOS GRAVES (SUBWOOFER X-OVER)

Hay dos tipos funcionales de filtros de transición, pasivos y activos. Los pasivos (bobinas o inductores) se conectan a los cables del altavoz, entre el amplificador y el altavoz. Un filtro de transición activo es un filtro electrónico que separa la señal de audio alimentada a diferentes amplificadores. Para un rendimiento óptimo del altavoz para sonidos graves, recomendamos el uso de un filtro de transición activo de 80-100Hz, paso bajo a 12dB/octava.

ESPECIFICACIONES

Ver las especificaciones en las páginas 7 y 8 de la sección en inglés

Español

Estas especificaciones están sujetas a cambio sin previo aviso

Rockford Corporation ofrece una garantía limitada para los productos Rockford Fosgate bajo los siguientes términos:

Duración de la garantía

Unidades Fuente, altavoces, procesadores de señales y amplificadores PUNCH—1 año

Amplificadores POWER—2 años

Amplificadores Type RF—3 años

Cualquier producto de fábrica restaurado—90 días (comprobante de compra requerido)

Qué está cubierto

Esta garantía se aplica solamente a los productos Rockford Fosgate vendidos a consumidores por Concesionarios Autorizados Rockford Fosgate en los Estados Unidos o sus posesiones. Los productos comprados por los consumidores en un Distribuidor Autorizado Rockford Fosgate de otro país están cubiertos solamente por el Distribuidor de dicho país y no por Rockford Corporation.

Quién está cubierto

Esta garantía cubre solamente al comprador original del producto Rockford comprado en un Concesionario Autorizado de Rockford Fosgate de los Estados Unidos. Para poder recibir el servicio, el comprador debe presentarle a Rockford una copia del recibo indicando el nombre del cliente, nombre del distribuidor, producto comprado y la fecha de la compra.

Los productos que estén defectuosos durante el periodo de la garantía serán arreglados o reemplazados (con un producto equivalente) a entera discreción de Rockford.

Qué no está cubierto

1. Daños causados por accidentes, maltrato, operación incorrecta, agua, robo, transporte
2. Cualquier costo o gasto relacionado con la desinstalación o nueva instalación del producto
3. Servicios prestados por alguien que no sea un Centro de Servicio Autorizado por Rockford Fosgate
4. Cualquier producto que tenga el número de serie borrado, alterado o removido
5. Daños posteriores a otros componentes
6. Cualquier producto comprado fuera de los EE.UU.
7. Cualquier producto no comprado en un Distribuidor Autorizado de Rockford Fosgate

Límite de las garantías implícitas

Cualquier garantía implícita incluyendo las garantías de aptitud de uso y comerciabilidad, está limitada, en duración al período de la garantía expresa indicada anteriormente. Algunos estados no permiten limitaciones en la duración de una garantía implícita, de modo que esta limitación puede no aplicarse. Ninguna persona está autorizada a adoptar ninguna otra obligación en conexión con la venta del producto en nombre de Rockford Fosgate.

Cómo obtener servicio

Comuníquese con el distribuidor autorizado de Rockford Fosgate donde compró este producto.

Si necesita ayuda adicional, llame al 1-800-669-9899 para hablar con la oficina de Servicio al Cliente de Rockford. Debe obtener un # NADM (Número de Autorización para la Devolución del Material) para enviar cualquier producto a Rockford Fosgate. Usted es responsable por el envío del producto a Rockford.

Garantía UE

Este producto satisface los requisitos de garantía de la UE actuales, ver al distribuidor autorizado para mayores detalles.

Enviar a: **Electronics**
Rockford Corporation
Warranty Repair Department
2055 E. 5th Street
Tempe, AZ 85281
RA#: _____

Enviar a: **Speakers**
Rockford Acoustic Design
Speaker Returns
2356 Turner Ave. NW
Grand Rapids, MI 49544
RA#: _____

EINLEITUNG

Liebe Kundin, lieber Kunde,

wir gratulieren Ihnen zu Ihrem Kauf von Autolautsprechern der besten Marke weltweit. Wir bei Rockford Fosgate sind Fanatiker, wenn es um die beste musikalische Reproduktion geht, und freuen uns darüber, dass Sie unser Produkt gewählt haben. Durch jahrelange Ingenieurserfahrung, Handwerkskunst und kritische Testverfahren haben wir ein weites Spektrum an Produkten geschaffen, die die Musik mit aller Klarheit und Klangsönheit reproduziert, die Sie verdienen.

Zur maximalen Performance empfehlen wir, dass Sie Ihr neues Rockford Fosgate Produkt von einem Vertragshändler von Rockford Fosgate einbauen lassen, da wir durch das Rockford Technical Training Institute (RTTI) spezialisierte Ausbildung bieten. Bitte lesen Sie Ihre Garantie und bewahren Sie Ihre Quittung und Originalverpackung zum eventuellen späteren Gebrauch auf.

Hervorragende Produkte und kompetenter Einbau sind nur Teile des Puzzles, wenn es um Ihr System geht. Vergewissern Sie sich, dass derjenige, der Ihr System einbaut, nur authentischen Installationszubehör von Connecting Punch bei Ihrem Einbau verwendet. Connecting Punch führt alles von RCA- und Lautsprecherkabeln zu Stromkabeln und Batterieadaptoren. Bestehen Sie darauf! Schließlich verdient Ihr neues System nur das Beste.

Um Ihrem neuen Rockford Fosgate Image den letzten Schliff zu geben, bestellen Sie Ihre Rockford Accessoires. Dazu gehört alles von T-Shirts und Jacken zu Kappen und Sonnenbrillen.

Eine kostenlose Broschüre über Rockford Fosgate Produkte und Rockford Accessoires besuchen Sie uns im Web unter: www.rockfordfosgate.com oder wählen Sie in den USA 1-800-669-9899 oder FAX 1-800-398-3985. Anrufer aus anderen Ländern wählen bitte zunächst die Ländervorwahl +001.

Deutsch

PRAKTIZIEREN SIE SICHEREN SOUND

Fortgesetzte Geräuschdruckpegel von über 100 dB können beim Menschen zu permanentem Hörverlust führen. Leistungsstarke Autosoundsysteme können Geräuschdruckpegel erzeugen, die weit über 130 dB liegen. Bitte wenden Sie gesunden Menschenverstand an und praktizieren Sie sicheren Sound.

Falls Sie nach der Lektüre Ihrer Gebrauchsanleitung noch Fragen hinsichtlich dieses Produkts haben, empfehlen wir, dass Sie einen Rockford Fosgate Vertragshändler kontaktieren. Wenn Sie weitere Fragen haben, können Sie uns direkt unter 1-800-669-9899 anrufen. Bei Ihrem Anruf haben Sie bitte die Seriennummer, Modellnummer und das Kaufdatum griffbereit.

Die Seriennummer befindet sich auf der Außenseite der Verpackung. Bitte notieren Sie diese Nummer nachfolgend, so dass sie stets bei Ihren Unterlagen ist. Sie dient zur Verifizierung Ihrer Werksgarantie und kann sich als nützlich erweisen, sollte Ihr Gerät jemals gestohlen werden.

Seriennummer: _____

Modellnummer: _____

INHALTSVERZEICHNIS

Einleitung	2	Bau des Gehäuses	5
Sicherheitshinweise	3	Berechnung des Volumens	5
Designcharakteristiken	3	Subwoofer-Crossover	5
Empfohlene Gehäuse	4	Technische Daten	6
Geschlossene Gehäuse	4	Informationen zur beschränkten Garantie	7
Belüftete Gehäuse	4		
Verkabelungskonfigurationen	4		

HINWEIS: Lesen Sie jeden Abschnitt für detaillierte Informationen.

HIER GEHT'S LOS

Willkommen bei Rockford Fosgate! Diese Anleitung bietet dem Besitzer, Verkäufer und Einbauenden Informationen. Kurzgefasste Informationen zum Einbau dieses Produkts finden sich im **Abschnitt „Einbau“** dieser Anleitung. Andere Informationen können Sie mithilfe des Inhaltsverzeichnisses auffinden. Wir bei Rockford Fosgate haben uns sehr darum bemüht, dass alle in dieser Anleitung enthaltenen Informationen auf dem neusten Stand sind. Da wir unsere Produkte jedoch ständig weiterentwickeln, können sich diese Informationen jedoch ohne Ankündigung ändern.

SICHERHEITSHINWEISE

WARNUNG

Dieses Symbol mit dem Wort „**WARNUNG**“ soll den Benutzer auf wichtige Hinweise aufmerksam machen. Nichtbeachtung der Hinweise führt zu schweren Verletzungen oder Tod.

VORSICHT

Dieses Symbol mit dem Wort „**VORSICHT**“ soll den Benutzer auf wichtige Hinweise aufmerksam machen. Nichtbeachtung der Hinweise kann zu Verletzungen oder Schäden am Gerät führen.

VORSICHT:

Bitte lesen Sie zur Vermeidung von Verletzungen und Schäden am Gerät die Hinweise in dieser Anleitung. Wir möchten, dass Ihnen dieses System Freude, nicht Kopfschmerzen bereitet.

VORSICHT:

Wenn Sie beim Einbau des Geräts unsicher sind, lassen Sie es bitte von einem qualifizierten Rockford Fosgate Techniker einbauen.

VORSICHT:

Entfernen Sie vor dem Einbau den negative Batteriepol, um Schäden am Gerät, Feuer bzw. mögliche Verletzungen zu vermeiden.

INHALT DES KARTONS

Punch SVC Tieftöner

Einbau- und Bedienungsanleitung

DESIGNCHARAKTERISTIKEN

Die RF Punch SVC Tieftöner sind eine komplette Serie von Tieffrequenzlautsprechern in den Größen 20,32 cm bis 38,1 cm mit 4 oder 8 Ohm-Impedanz. Die RF Punch SVC Tieftöner wurden hauptsächlich für die Verwendung in kleinen Gehäusen konstruiert, die entweder geschlossen oder mit Öffnungen versehen sind. Durch Verwendung neuester Materialien und Konstruktionstechniken sind wir in der Lage, einen Lautsprecher mit hoher Leistung im niedrigen Frequenzbereich anzubieten bei gleichzeitigem geringen Raumbedarf für den Betrieb.

Die neusten Informationen über alle Rockford Produkte finden Sie auf unserer Website im Internet.

www.rockfordfosgate.com

EMPFOHLENE GEHÄUSE

Diese Anleitung beschreibt zwei spezifische Typen von Gehäusen, die grundsätzlich verschiedene Performancemerkmale bieten. Dieser Abschnitt soll Ihnen dabei helfen zu entscheiden, welcher der beste Typ für Ihre Anwendung ist.

GESCHLOSSENE GEHÄUSE

Geschlossene Gehäuse lassen sich am leichtesten bauen. Der wichtigste Aspekt beim Bau eines geschlossenen Gehäuses ist zu gewährleisten, dass es luftdicht ist. Die Verwendung von Klebstoff und anderen Dichtungsmitteln an allen Fugen gewährleistet eine solide Konstruktion und verhindert Luftverlust. Das Gehäusevolumen wirkt sich unmittelbar auf die Performance des Lautsprechers aus. Größere Gehäuse bieten eine flachere Reaktion und tiefere Bässe, wohingegen kleinere Gehäuse eine Abweichung in der Reaktionskurve bieten und im Allgemeinen durch höhere Leistung zu einem höheren Schalldruckpegel führen.

Vorteile von geschlossenen Gehäusen:

- Kleine Gehäuse
- Lineare (flache) Reaktion
- Keine Öffnungsgeräusche
- Hohe Nennbelastbarkeit in allen Frequenzbereichen
- Ausgezeichnete Klangqualität

BELÜFTETE GEHÄUSE

Belüftete Gehäuse unterscheiden sich von geschlossenen Gehäusen nur in sofern, als dass ein Luftschlitz bzw. eine Öffnung hinzugefügt wird, um das Gehäuse zu „stimmen“. Die empfohlenen Gehäuse sind für hervorragende Gesamtperformance konstruiert. Größere Gehäuse lassen sich in der Regel leichter auf niedrigere Frequenzen abstimmen, wohingegen sich mittlere und kleine Gehäuse leichter auf höhere Frequenzen abstimmen lassen. Das belüftete Design zeigt eine weniger lineare Reaktion als das geschlossene Gehäuse, erbringt jedoch eine feststellbar höhere Leistung auf der abgestimmten Frequenz.

Vorteile von belüfteten Gehäusen:

- Höhere Durchschnittsleistung als geschlossene Gehäuse
- Abstimmfrequenz kann leicht durch Änderung der Öffnungslänge angepasst werden
- Tiefes Bassverhalten bei geringerem Kraftbedarf
- Gut geeignet für hohe Leistung bei beschränkter Kraft

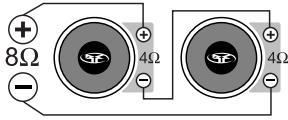
Siehe die Gehäuse auf Seite 4 und 5 des englischen Teils

VERKABELUNGSKONFIGURATIONEN

Es gibt drei Konfigurationen zum Anschließen von Lautsprechern an einen Verstärker, und zwar **Reihen-**, **Parallel-** oder **Reihen-Parallel-**Verkabelungen. Eine Reihenkonfiguration besteht aus wenigstens zwei Lautsprechern, die in einer Reihe verkabelt sind (von Ende zu Ende). Eine Parallelkonfiguration verwendet mindestens zwei Lautsprecher, die über gemeinsame Anschlüsse verkabelt werden. Die Reihen-Parallel-Konfiguration kombiniert beide Techniken. Wählen Sie die Methode, die mit Ihrem Verstärker kompatibel ist.

Series Wiring

(2) 4 ohm Speaker = 8 ohm Load



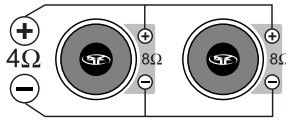
$$R_T = R_1 + R_2 + R_3 + R_4$$

Equations;

R_T = Total Speaker Load $R_1, R_2, \text{ etc.}$ = Each Speaker in System

Parallel Wiring

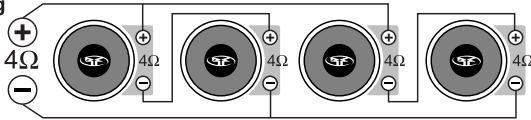
(2) 8 ohm Speaker = 4 ohm Load



$$\frac{1}{R_T} = \frac{1}{R_1} + \frac{1}{R_2} + \frac{1}{R_3} + \frac{1}{R_4}$$

Series-Parallel Wiring

(2) 4 ohm Speaker
= 4 ohm Load



BAU DES GEHÄUSES

Um ordnungsgemäß zu funktionieren, müssen die Gehäusewände steif sein und dürfen nicht nachgeben, wenn sie dem hohen Druck ausgesetzt sind, der bei Betrieb des Lautsprechers entsteht. Für optimale Performance empfehlen wir Faserplatte mittlerer Dichte (Stärke ca. 1,9 cm) und interne Aussteifungen. Das Gehäuse wird verleimt und mit Nägeln oder Schrauben befestigt. Da Faserplatte luftdurchlässig ist, wird geraten, das Gehäuse von außen mit Polyurethan zu behandeln.

BERECHNUNG DES VOLUMENS

Zur Berechnung des Volumens einfach die Maße feststellen und folgende Formel anwenden:

Gehäusevolumen =	$\frac{\text{Höhe (cm)} \times \text{Breite (cm)} \times \text{Tiefe (cm)}}{1000 \text{ cc/l}}$
(Liter)	

Sind zwei gegenüber liegende Seiten ungleich lang, die Durchschnittslänge der beiden Seiten berechnen. Das Volumen lässt sich mithilfe dieser Zahl berechnen, ohne das Gehäuse in Abschnitten berechnen zu müssen. Die Stärke des Resonanzwandmaterials reduziert das Innenvolumen und muss daher zur Feststellung des Innenvolumens vom Außenvolumen subtrahiert werden. Der Lautsprecher selbst reduziert das Innenvolumen ebenfalls. Die Luftverdrängung für jedes Modell ist unter Technische Daten aufgeführt und muss bei der Gesamtkalkulation des Volumens ebenfalls subtrahiert werden.

SUBWOOFER-CROSSOVER

Es gibt zwei Betriebstypen für Crossover, und zwar passive und aktive. Passive Crossover (Spulen oder Induktoren) werden auf den Lautsprecherkabeln zwischen Verstärker und Lautsprecher platziert. Ein aktives Crossover ist ein elektronischer Filter, der das Audiosignal trennt, das verschiedenen Verstärkern zugeführt wird. Zur optimalen Subwoofer-Performance empfehlen wir die Verwendung von aktiven 80-100 Hz-Niedrigpass-Crossovern bei 12 dB/Oktav.

Siehe Technische Daten auf Seite 8 und 9 des englischen Abschnitts

Die technischen Daten können sich ohne Ankündigung ändern.

Rockford Corporation bietet für Rockford Fosgate Produkte eine beschränkte Garantie zu folgenden Bedingungen:

Laufzeit der Garantie

Source-Geräte, Lautsprecher, Signalprozessoren und PUNCH-Verstärker – 1 Jahr
POWER-Verstärker – 2 Jahre **Type RF-Verstärker – 3 Jahre**
Alle werkseitig aufgearbeiteten Produkte – 90 Tage (Quittung erforderlich)

Was gedeckt ist

Diese Garantie erstreckt sich nur auf Rockford Fosgate Produkte, die von Rockford Fosgates Vertragshändlern an Verbraucher in den Vereinigten Staaten von Amerika oder deren Besitzungen verkauft wurden. Produkte, die von Rockford Fosgates Vertragshändlern an Verbraucher in einem anderen Land verkauft wurden, sind nur durch den Händler in dem betreffenden Land, nicht jedoch durch die Rockford Corporation gedeckt.

Wer ist gedeckt

Diese Garantie deckt nur den ursprünglichen Käufer von Rockford Produkten, die von einem Rockford Fosgate Vertragshändler in den Vereinigten Staaten gekauft wurden. Um Leistungen in Anspruch zu nehmen, muss der Käufer Rockford eine Kopie der Quittung vorlegen, die den Kundennamen, den Händlernamen, das Produkt und das Kaufdatum angibt.

Produkte, die sich während der Garantiezeit als defekt erweisen, werden nach Rockford Fosgates Ermessen repariert oder (mit einem Produkt, das als gleichwertig erachtet wird,) ersetzt.

Was nicht gedeckt ist

1. Durch Unfall, Missbrauch, unsachgemäßen Betrieb, Wasser, Diebstahl oder Versand verursachte Schäden
2. Jegliche Kosten, die im Zusammenhang mit Ein- bzw. Ausbau des Produkts entstanden sind
3. Leistungen, die nicht von Rockford oder einem autorisierten Rockford Fosgate Servicecenter erbracht wurden
4. Produkte, an denen die Seriennummer unkenntlich gemacht, verändert oder entfernt wurde
5. Folgeschäden an anderen Komponenten
6. Produkte, die außerhalb der USA gekauft wurden
7. Produkte, die nicht von einem Rockford Fosgate Vertragshändler gekauft wurden

Einschränkung von implizierten Garantien

Implizierte Garantien, einschließlich von Garantien der Eignung für einen bestimmten Zweck und Marktgängigkeit, werden auf den Zeitraum der obenstehenden ausdrücklichen Garantie beschränkt. Manche Staaten erlauben Einschränkungen der Gültigkeit der implizierten Garantie nicht. Daher trifft diese Einschränkung nicht in allen Fällen zu.

Inanspruchnahme des Kundendienstes

Kontaktieren Sie bitte den Rockford Fosgate Vertragshändler, bei dem Sie dieses Produkt gekauft haben. Benötigen Sie zusätzliche Hilfe, rufen Sie den Kundendienst von Rockford unter 1-800-669-9899 an. Sie erhalten dann eine RA# (Rücksendungsautorisierungsnummer), um jegliche Produkte an Rockford Fosgate zurückzusenden. Sie sind für die Rücksendung des Produkts an Rockford verantwortlich.

EU-Garantie

Dieses Produkt entspricht den gültigen EU-Garantiebestimmungen. Sprechen Sie mit Ihrem Vertragshändler über die Einzelheiten.

Senden an: **Electronics**
Rockford Corporation
Warranty Repair Department
2055 E. 5th Street
Tempe, AZ 85281
RA#: _____

Senden an: **Speakers**
Rockford Acoustic Design
Speaker Returns
2356 Turner Ave. NW
Grand Rapids, MI 49544
RA#: _____

INTRODUZIONE

Egregio cliente,

Congratulazioni per aver acquistato la miglior marca di altoparlanti per auto a livello mondiale. Alla Rockford Fosgate, siamo fanatici per quanto riguarda la miglior riproduzione musicale e siamo compiaciuti che abbiate scelto il nostro prodotto. Dopo anni di competenza ingegneristica, maestria manuale e procedure di prova critica, abbiamo creato una larga gamma di prodotti che riproducono la musica con la limpidezza e la pienezza che vi meritate.

Per ottenere le massime prestazioni vi consigliamo di far installare il vostro nuovo prodotto Rockford Fosgate da un rivenditore autorizzato, in quanto noi forniamo un addestramento specializzato ai nostri tecnici attraverso il Rockford Fosgate Technical Training Institute (RTTI). Vi preghiamo di leggere con cura i termini della garanzia e di serbare sia la ricevuta che l'imballaggio originale per qualsiasi evenienza futura.

Un prodotto superiore ed un'installazione competente rappresentano soltanto una parte del quadro generale quando si tratta del vostro sistema audio. Dovrete assicurarvi che il vostro installatore abbia utilizzato accessori da installazione della Connecting Punch, autentici al 100%. La Connecting Punch ha proprio tutto—da cavi e fili RCA per altoparlanti a connettori Power di linea e di batterie. Insistete! Dopo tutto, il vostro nuovo sistema audio si merita solo il meglio.

Per aggiungere poi il tocco finale alla vostra nuova immagine da Rockford Fosgate, dovrete ordinare gli accessori Rockford, che comprendono di tutto—dalle magliette e le giacche ai cappelli e gli occhiali da sole.

Per ottenere un opuscolo gratuito illustrante i prodotti della Rockford Fosgate nonché gli accessori,

visitate il nostro sito: www.rockfordfosgate.com

oppure, negli USA, chiamare il numero 1-800-669-9899 o il FAX 1-800-398-3985.

Da tutti gli altri paesi, telefonare al numero +001-480-967-3565 oppure inviare una fax al numero +001-480-967-8132.

ITALIANO

OSSERVATE LE REGOLE DEL "SUONO SENZA PERICOLI"

La costante esposizione a livelli di pressione acustica al di sopra dei 100dB possono causare la perdita permanente dell'udito. I sistemi audio ad alta potenza possono produrre livelli di pressione acustica ben superiori ai 130dB. Si consiglia il buon senso e l'osservanza delle regole del "suono senza pericoli"

Se dopo aver letto il vostro manuale, avete ancora delle domande al riguardo del vostro prodotto, vi preghiamo di consultare il vostro rivenditore Rockford Fosgate. Se necessitaste di qualsiasi assistenza ulteriore, potrete telefonarci direttamente al numero 1-800-669-9899. Vi chiederemo di fornire il vostro numero di serie, numero di modello, e la data d'acquisto.

Il numero di serie è ubicato sull'esterno della scatola. Vi preghiamo di annotarlo in modo permanente nello spazio fornito di sotto. Questo numero vi servirà da verifica nei confronti della vostra garanzia di fabbrica e potrebbe rivelarsi utile nel recupero del vostro prodotto se mai venisse rubato.

Numero di serie: _____

Numero di modello: _____

INDICE

Introduzione	2
Istruzioni di sicurezza	3
Caratteristiche del design	3
Armadietti raccomandati	4
Armadietti a tenuta	4
Armadietti a foro	4
Configurazioni del cablaggio	4

Come costruire un armadietto	5
Come calcolare i volumi	5
Frequenze di incrocio del sottoaltoparlante per toni bassi	5
Specifiche	6
Informazioni inerenti alla garanzia limitata	7

NOTA: Ripassare ciascuna sezione per ulteriori ragguagli.

PRIMI PASSI

Benvenuti alla Rockford Fosgate! Questo manuale è stato concepito per fornire ragguagli al proprietario, al rivenditore e all'installatore. Per coloro che desiderano informazioni rapide circa l'installazione di questo prodotto, vi preghiamo di consultare la **sezione Installazione** di questo manuale. Altri ragguagli sono disponibili attraverso l'Indice. Alla Rockford Fosgate, abbiamo fatto di tutto per assicurarci che tutte le informazioni contenute in questo manuale fossero d'uso corrente. Pertanto, dato che siamo sempre alla ricerca di nuovi modi per migliorare i nostri prodotti, tali informazioni sono soggette a modifiche senza preavviso.

ISTRUZIONI DI SICUREZZA

AVVERTIMENTO

Questo simbolo con la dicitura "**AVVERTIMENTO**" intende avvertire l'utente alla presenza di istruzioni importanti. La mancata osservanza di queste istruzioni potrebbe causare gravi lesioni personali o persino la morte.

ATTENZIONE

Questo simbolo con la dicitura "**ATTENZIONE**" intende avvertire l'utente alla presenza di istruzioni importanti. La mancata osservanza di queste istruzioni potrebbe causare gravi lesioni personali o danni all'unità.

ATTENZIONE:

Per evitare lesioni personali e danni all'unità, vi preghiamo di leggere e seguire le istruzioni in questo manuale. Desideriamo che questo sistema audio vi procuri soddisfazione, non un mal di capo.

ATTENZIONE:

Se avete dei dubbi circa l'installazione, rivolgetevi ad un tecnico qualificato della Rockford Fosgate.

ATTENZIONE:

Prima dell'installazione, scollegate il terminale negativo (-) della batteria per evitare danni all'unità, pericoli d'incendio e/o potenziali lesioni personali.

CONTENUTO DELL'IMBALLAGGIO

Altoparlante per toni bassi Punch SVC

Manuale di installazione e di funzionamento

CARATTERISTICHE DEL DESIGN

Gli altoparlanti per toni bassi RF Punch SVC rappresentano una gamma intera di piloti a bassa frequenza aventi dimensioni che variano da 20,32 cm a 38,1 cm e sono disponibili con impedenze da 4 a 8 ohm. Gli altoparlanti per toni bassi RF Punch SVC sono stati progettati principalmente per l'uso in piccoli armadietti a tenuta oppure a foro. Tramite l'utilizzo dei materiali e delle tecniche di costruzione più recenti, siamo in grado di offrirvi un altoparlante ad alto rendimento e a basse frequenze il cui funzionamento richiede un minimo di spazio.

Vi preghiamo di visitare il nostro sito internet per le più recenti informazioni su tutti i prodotti Rockford.

www.rockfordfosgate.com

ARMADIETTI RACCOMANDATI

Questo manuale delinea due tipi specifici di armadietti che forniscono prestazioni nettamente diverse. Questa sezione vi aiuterà a decidere quale tipo di armadietto si adatta meglio alle vostre applicazioni.

ARMADIETTI A TENUTA

Gli armadietti a tenuta sono i più semplici da costruire. La cosa più importante è di assicurarsi che l'armadietto sia a tenuta d'aria. Un pò di colla e qualche tipo di sigillante sparso lungo le giunzioni renderanno più solida la costruzione ed impediranno le fughe d'aria. Il volume della scatola influirà direttamente sulle prestazioni dell'altoparlante. Armadietti a dimensioni più grandi daranno luogo sia ad una risposta più piatta che a toni bassi più profondi mentre quelli aventi dimensioni più piccole daranno luogo ad un sobbalzo nella curva di risposta e ad un rendimento generalmente più alto per un SPL maggiore.

Vantaggi degli armadietti a tenuta:

- Armadietti piccoli
- Risposta lineare (piatta)
- Nessuna rumorosità proveniente da fori
- Buon comando dell'alta potenza a tutte le frequenze
- Eccellente qualità dell'audio

ARMADIETTI A FORO

Gli armadietti a foro variano da quelli a tenuta solo per l'aggiunta di un foro per "sintonizzare" l'armadietto. Gli armadietti raccomandati sono stati progettati per fornire prestazioni complessive ottimali. Gli armadietti a dimensioni più grandi sono generalmente più facili da sintonizzare a basse frequenze mentre quelli aventi dimensioni medie o piccole sono più facili da sintonizzare a frequenze più alte. Il disegno a foro è meno lineare in risposta di quello a tenuta ma è in grado di produrre un rendimento notevolmente più alto alla frequenza di sintonizzazione.

Vantaggi degli armadietti a foro:

- Rendimento medio più alto rispetto agli armadietti a tenuta.
- Frequenza di sintonizzazione facilmente regolabile modificando la lunghezza del foro
- Risposta più profonda nei toni bassi con requisiti di potenza minori
- Ideale per alto rendimento a potenza limitata

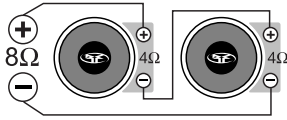
Vi preghiamo di esaminare gli armadietti illustrati alle pagine 4 e 5 nella sezione inglese.

CONFIGURAZIONI DEL CABLAGGIO

Ci sono tre configurazioni per poter collegare alcuni altoparlanti ad un amplificatore—le configurazioni **in serie**, **in parallelo**, e **serie-parallelo**. Una configurazione in serie consiste di due o più altoparlanti cablati in sequenza (estremità ad estremità). Una configurazione in parallelo consiste di due o più altoparlanti cablati in modo che i terminali comuni siano collegati l'uno attraverso l'altro. Una configurazione serie-parallelo è una combinazione tra i due metodi. Determinate quale metodo sarà più compatibile con il vostro amplificatore.

Series Wiring

(2) 4 ohm Speaker = 8 ohm Load



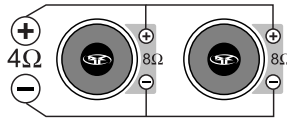
$$R_T = R_1 + R_2 + R_3 + R_4$$

Equations;

R_T = Total Speaker Load $R_1, R_2, \text{ etc.}$ = Each Speaker in System

Parallel Wiring

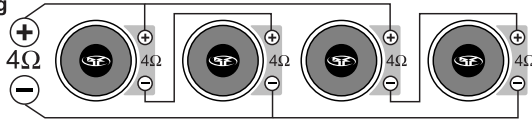
(2) 8 ohm Speaker = 4 ohm Load



$$\frac{1}{R_T} = \frac{1}{R_1} + \frac{1}{R_2} + \frac{1}{R_3} + \frac{1}{R_4}$$

Series-Parallel Wiring

(2) 4 ohm Speaker
= 4 ohm Load



COSTRUIRE UNA CASSA

Per ottenere le prestazioni massime, le pareti della cassa devono essere rigide e non flettere sotto la sollecitazione della elevata pressione generata dal woofer. Noi raccomandiamo l'impiego di MDF con uno spessore minimo di 19 mm, materiale facilmente reperibile in tutte le falegnamerie. Per casse di dimensioni molto grandi è indispensabile prevedere dei rinforzi interni. Le giunture devono essere incollate e fissate con viti o chiodi in abbondanza. Interamente le giunture devono essere silconate per impedire trafiletti d'aria. Anche la colla da legno funziona bene.

CALCOLO DEL VOLUME

Calcolare il volume è essenzialmente solo un problema di misurazione delle dimensioni in centimetri della cassa e di applicazione della formula:

$\text{Volume della cassa} = \frac{\text{Alteza(cm)} \times \text{Larghezza(cm)} \times \text{Profondità(cm)}}{1000 \text{ cc/liter}}$ <p style="text-align: center;">(litri)</p>

Se due pareti parallele sono di dimensioni diverse (prisma), semplicemente sommatele e dividete il risultato per due. Impiegando il risultato ottenuto potete calcolare il volume senza dividere la cassa in sezioni. Lo spessore del legno riduce il volume interno, per cui è necessario sottrarre dalle dimensioni esterne. Anche il volume dell'altoparlante stesso riduce il volume della cassa e deve essere sottratto. Il volume che ciascun altoparlante contribuisce a togliere dalla cassa è indicato nelle tabelle con le specifiche.

FREQUENZE DI INCROCIO DEL SOTTOALTOPARLANTE PER TONI BASSI

Ci sono due tipi operativi di frequenze di incrocio, passive e attive. Le frequenze di incrocio passive (bobine o induttori) vengono poste sui cavi dell'altoparlante tra l'amplificatore e l'altoparlante. Una frequenza di incrocio attiva è un filtro elettronico in grado di separare il segnale audio che alimenta diversi amplificatori. Per ottenere prestazioni ottimali a livello del sottoaltoparlante per toni bassi, noi raccomandiamo l'uso di una frequenza di incrocio attiva passa-basso da 80 a 100Hz a 12dB/ottava.

SPECIFICHE

Vi preghiamo di esaminare le specifiche alle pagine 7 e 8 della sezione inglese.

Italiano

Specifiche soggette a modifiche senza preavviso

La Rockford Corporation offre una garanzia limitata sui prodotti della Rockford Fosgate alle seguenti condizioni:

Lunghezza della garanzia

Unità di fonte, altoparlanti, elaboratori di segnali e amplificatori PUNCH — 1 anno
Amplificatori POWER — 2 anni **Amplificatori Type RF — 3 anni**
Prodotti rimessi a nuovo dalla fabbrica — 90 giorni (è necessaria la ricevuta)

Ciò che è coperto dalla garanzia

Questa garanzia è solamente applicabile ai prodotti della Rockford Fosgate venduti a clienti da parte di rivenditori autorizzati della Rockford Fosgate negli USA o nei suoi possedimenti. Prodotti acquistati da clienti presso un rivenditore autorizzato della Rockford Fosgate in paesi esteri saranno coperti solamente dal distributore di quel paese e non dalla Rockford Corporation.

Chi è coperto dalla garanzia

Questa garanzia copre solamente l'acquirente originale di un prodotto della Rockford che sia stato acquistato presso un rivenditore autorizzato della Rockford Fosgate negli USA. Per richiedere l'assistenza, l'acquirente deve fornire alla Rockford una copia della sua ricevuta, indicare il nome dell'acquirente, il nome del rivenditore, il prodotto acquistato e la data di acquisto.

I prodotti che risulteranno difettosi durante il periodo della garanzia saranno riparati oppure sostituiti (con un prodotto giudicato equivalente) alla piena discrezione della Rockford.

Ciò che non è coperto dalla garanzia

1. Danni causati da incidente, abuso, uso erraneo, acqua, furto, spedizione.
2. Qualsiasi costo o spesa relativa alla rimozione o alla reinstallazione del prodotto.
3. L'assistenza tecnica eseguita da chiunque non sia alle dipendenze della Rockford o di un centro di assistenza tecnica autorizzato della Rockford Fosgate
4. Qualsiasi prodotto su cui il numero di serie è stato deturpato, alterato o rimosso
5. Danni susseguenti ad altre componenti
6. Qualsiasi prodotto acquistato fuori dagli USA
7. Qualsiasi prodotto non acquistato presso un rivenditore autorizzato della Rockford Fosgate

Limite sulle garanzie tacite

Qualsiasi garanzia tacita, comprese le garanzie di idoneità all'uso ed alla commerciabilità, sono limitate nella loro durata al periodo coperto dalla garanzia esplicita spiegata di sopra. Alcuni stati non permettono limitazioni sulla lunghezza di una garanzia tacita. Pertanto, questa limitazione potrebbe non essere applicabile. È vietato assumere, a nome della Rockford Fosgate, qualsiasi altra responsabilità in relazione alla vendita del prodotto.

Come richiedere l'assistenza tecnica

Contattare il rivenditore autorizzato Rockford Fosgate dal quale si è acquistato il prodotto.

Per ulteriore aiuto, si può chiamare l'assistenza clienti Rockford al numero 1-800-669-9899. Dovrete ottenere un numero RA (numero di autorizzazione per la restituzione) per restituire qualsiasi prodotto alla Rockford Fosgate. Sarete responsabili della spedizione del prodotto alla Rockford.

Garanzia UE

Questo prodotto risponde ai requisiti della garanzia UE tuttora in vigore. Vi preghiamo di rivolgervi al vostro rivenditore autorizzato per ulteriori dettagli.

Spedire a: **Electronics**
Rockford Corporation
Warranty Repair Department
2055 E. 5th Street
Tempe, AZ 85281
RA#: _____

Spedire a: **Speakers**
Rockford Acoustic Design
Speaker Returns
2356 Turner Ave. NW
Grand Rapids, MI 49544
RA#: _____

Rockford Fosgate®

Installation assistance available at:

RFTECH

www.rockfordfosgate.com/rftech



Rockford Fosgate
Rockford Corporation
546 South Rockford Drive
Tempe, Arizona 85281 U.S.A.
In U.S.A., (480) 967-3565
In Europe, Fax (49) 8503-934014
In Japan, Fax (81) 559-79-1265

www.rockfordfosgate.com