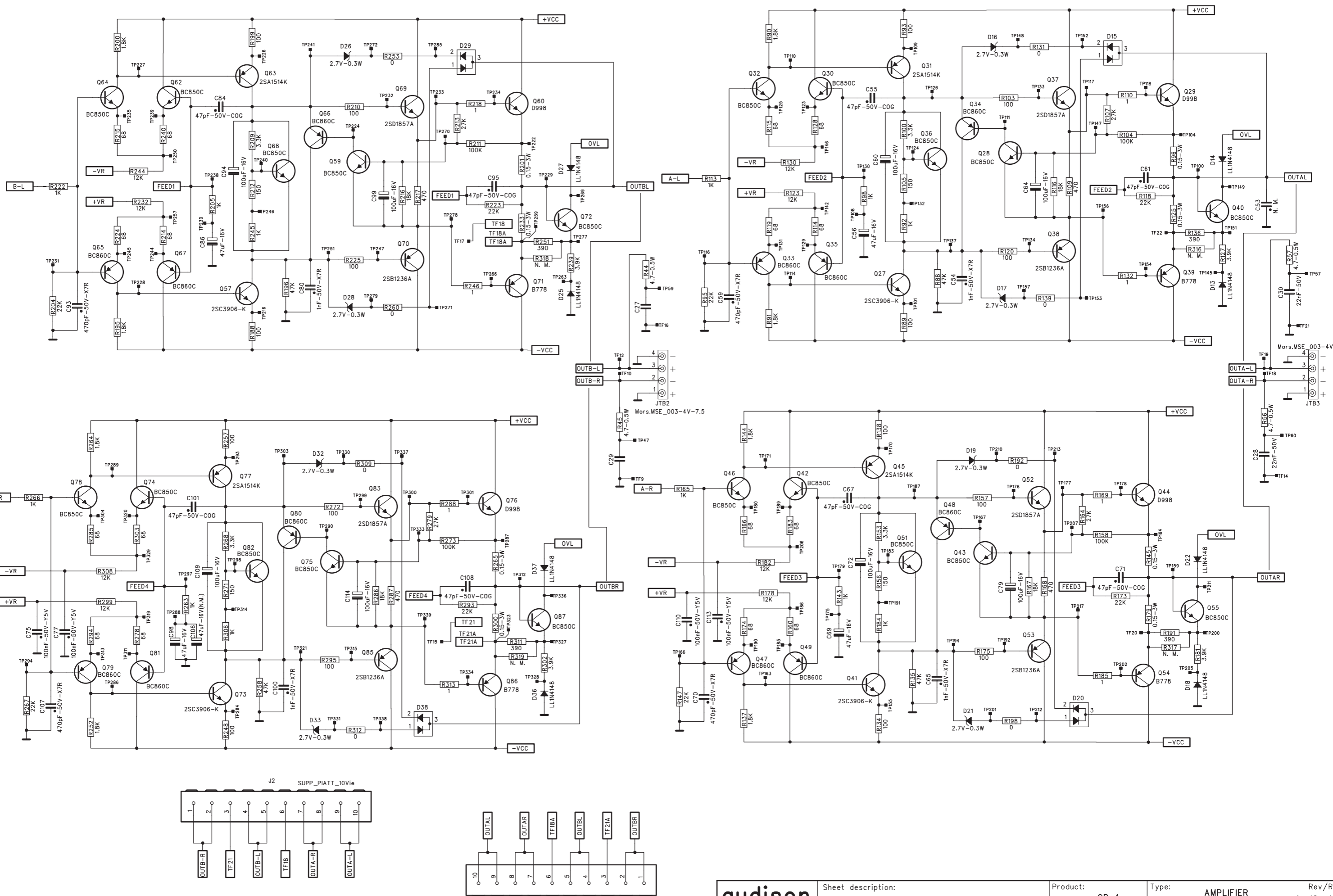
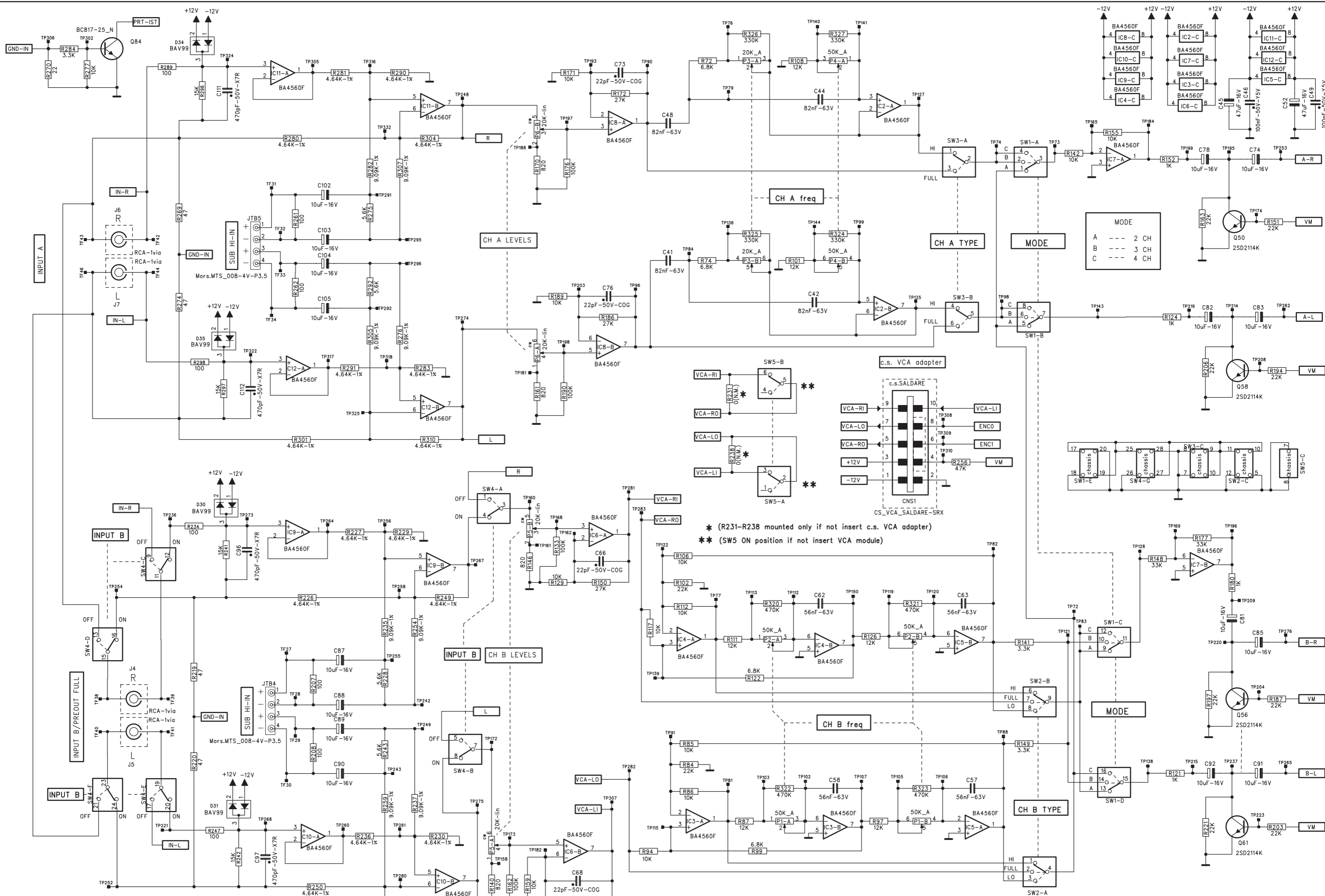


COPYRIGHT
This drawing/specification is released on condition
that is not copied, printed or given to third
without previous written consent by **elctromedia**

elctromedia s.a.s.
S.S. Regina Km 6.250 - 62018 Potenza Picena (MC) - Italy
Tel. 0733/870870 r.a. Fax 0733/870880 e-mail: com@audison.com



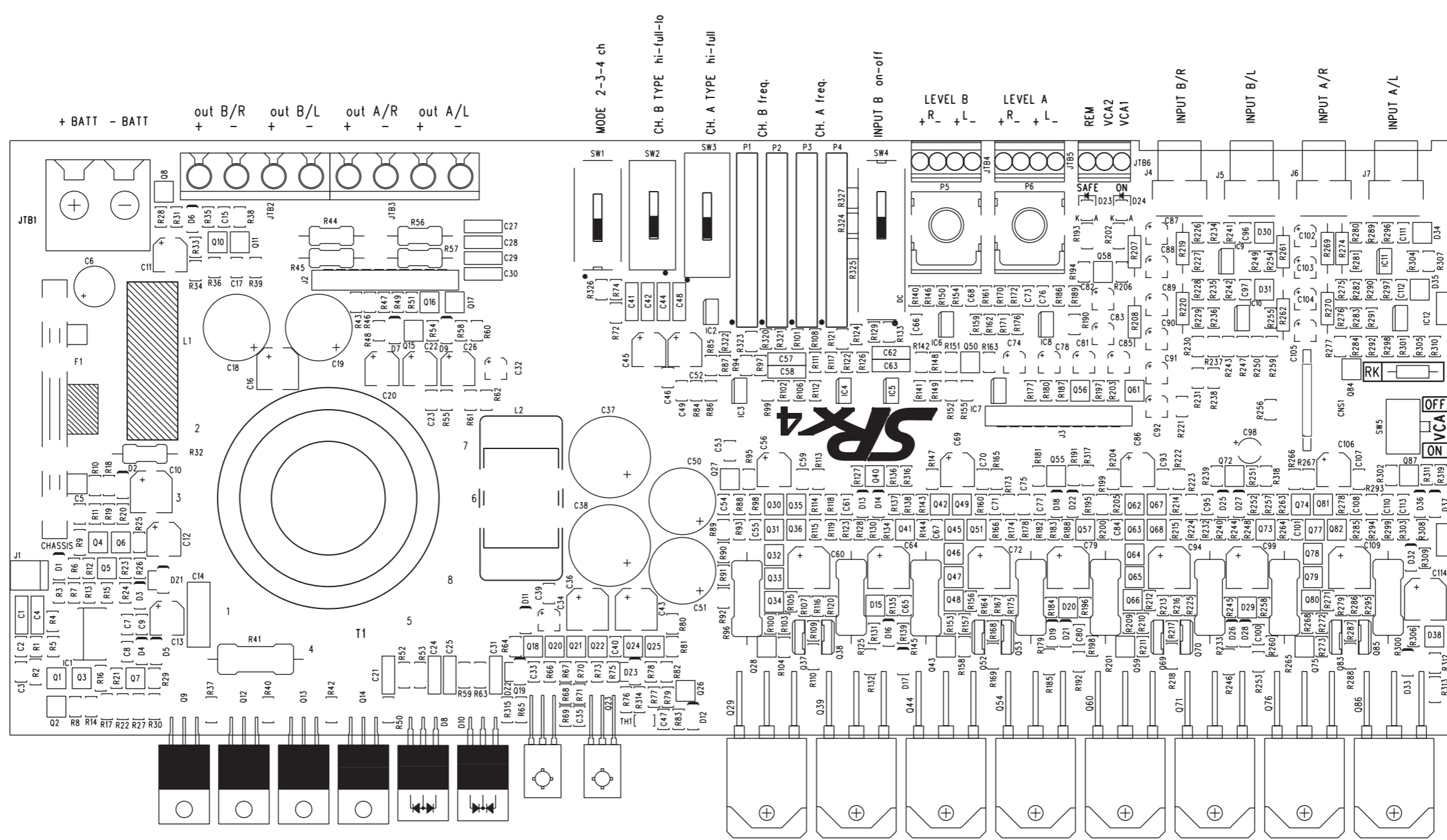
audison	Sheet description:		Product:	Type:	Rev/RK:
	FRONT & REAR CHANNELS		SRx4	AMPLIFIER	10 ohm
TS: BAF042D			PCB code:	Date:	Sheet:
			16727300 E/F	21/10/2002	2 of 3



audison
TS: BAF042D

Sheet description:
INPUTS AND FILTERS

Product:	SRx4	Type:	FILTERS	Rev/RK:	10 ohm
PCB code:	16727300 E/F	Date:	21/10/2002	Sheet:	3 of 3



audison TS: BAC055C	Sheet description:	Product: SRx4	Type: MAIN BOARD	Rev/RK: 10 ohm
	TOPOGRAFICO LATO TOP	PCB code: 16727300 E	Date: 18/06/2002	Sheet: 1 OF 1