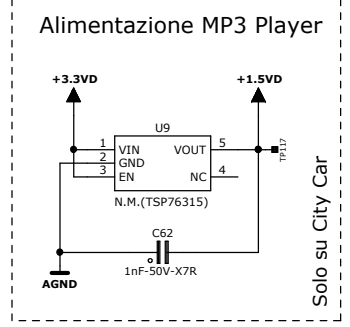
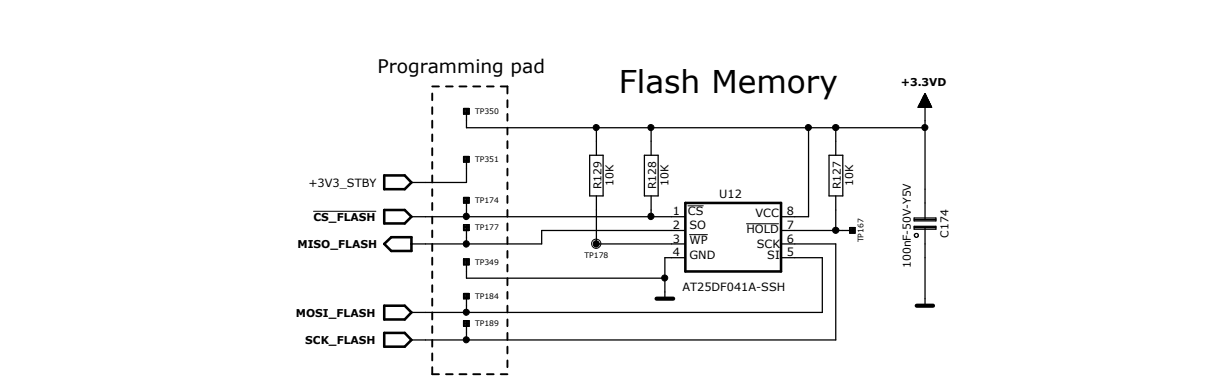
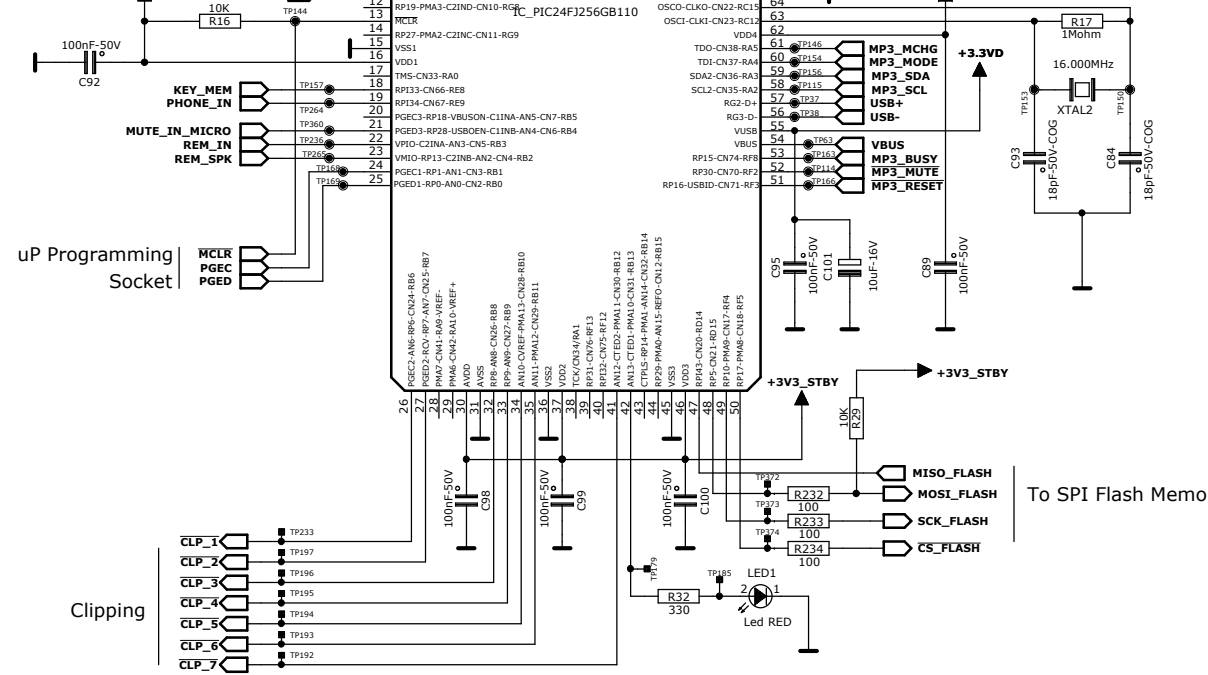
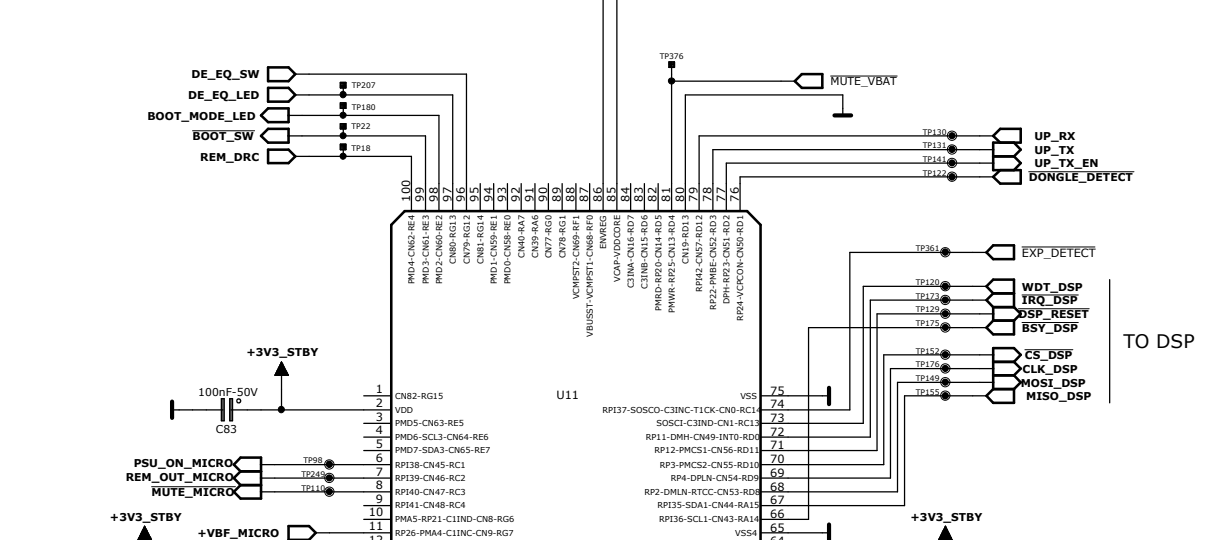
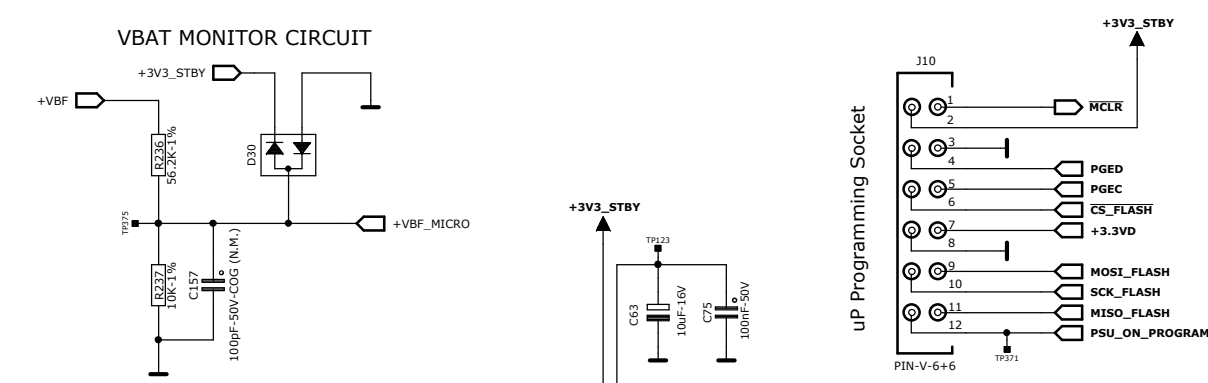
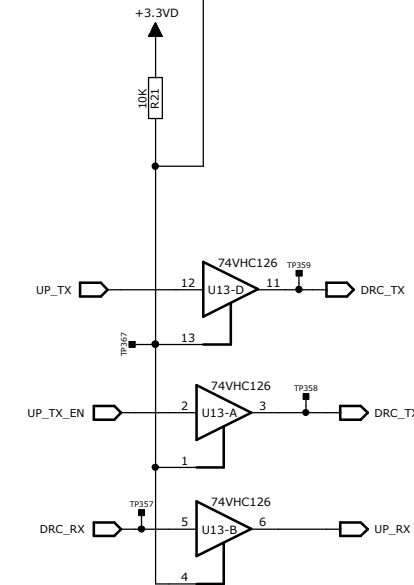
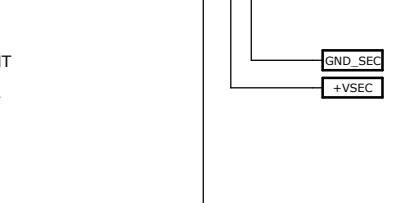
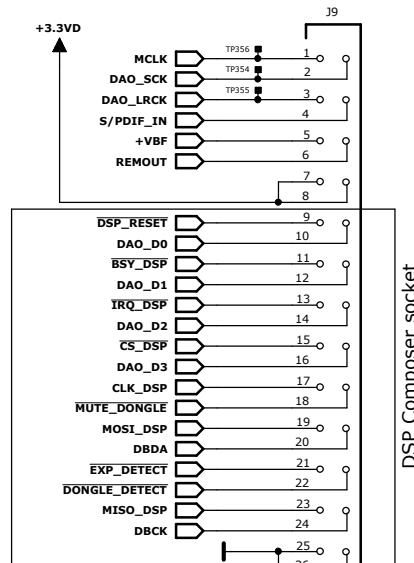
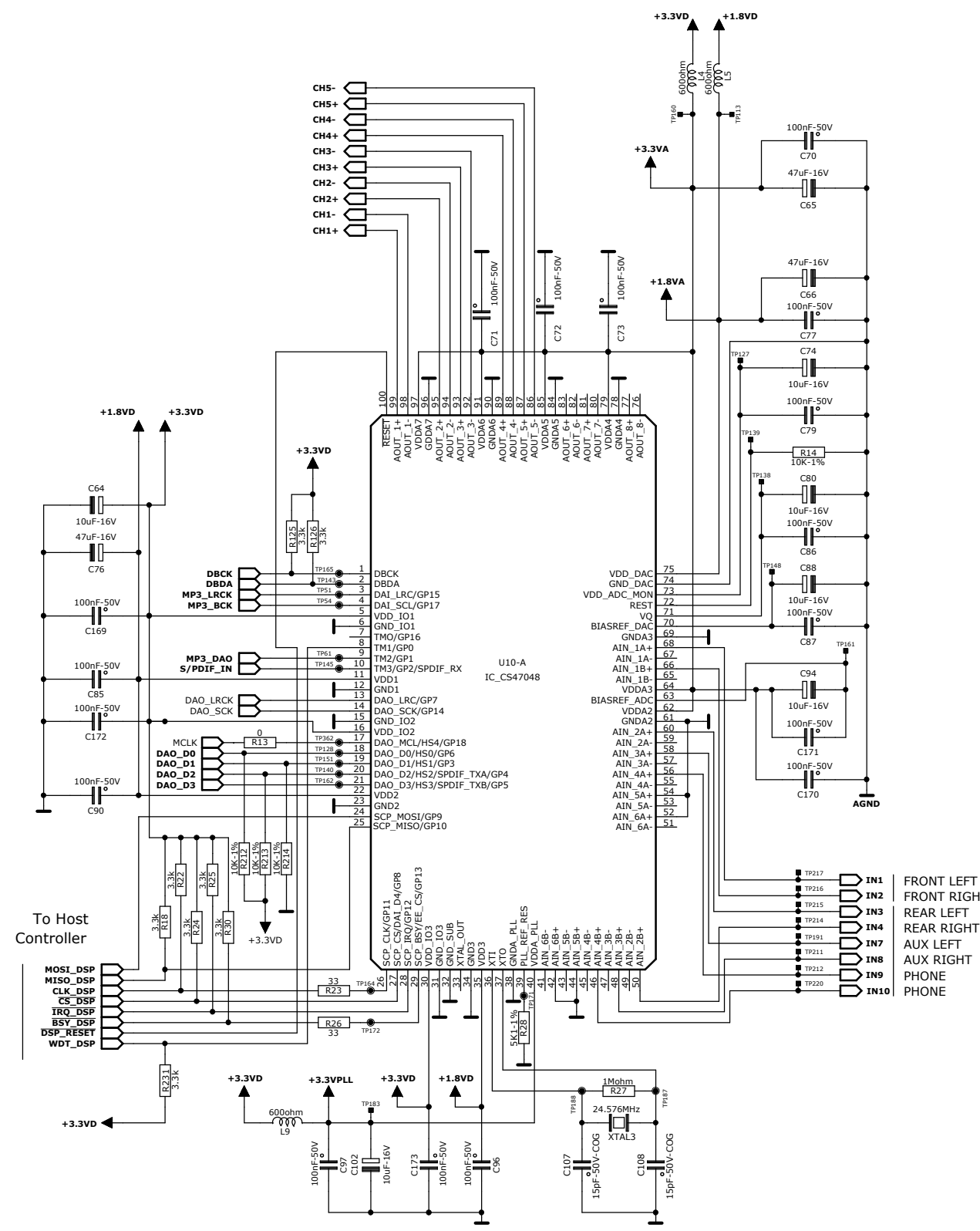


**audison**  
 TS: **BAF219 G**

Sheet description:  
**Power Supply**

Product:	Bit Ten	Type:	-	Rev/RK:	
PCB code:	16752000 E	Date:	25/05/2011	Sheet:	1 of 6





Solo su City Car

