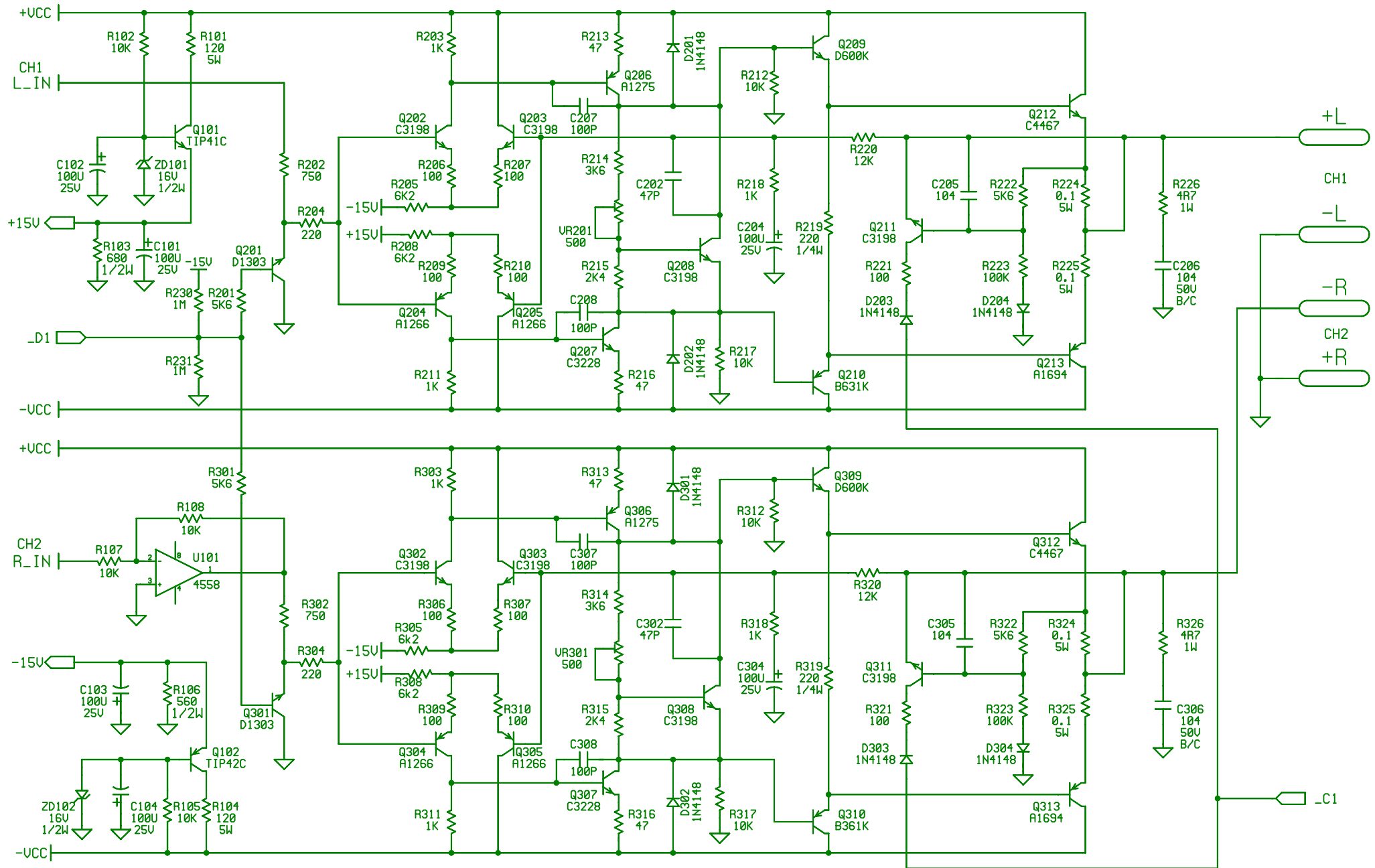
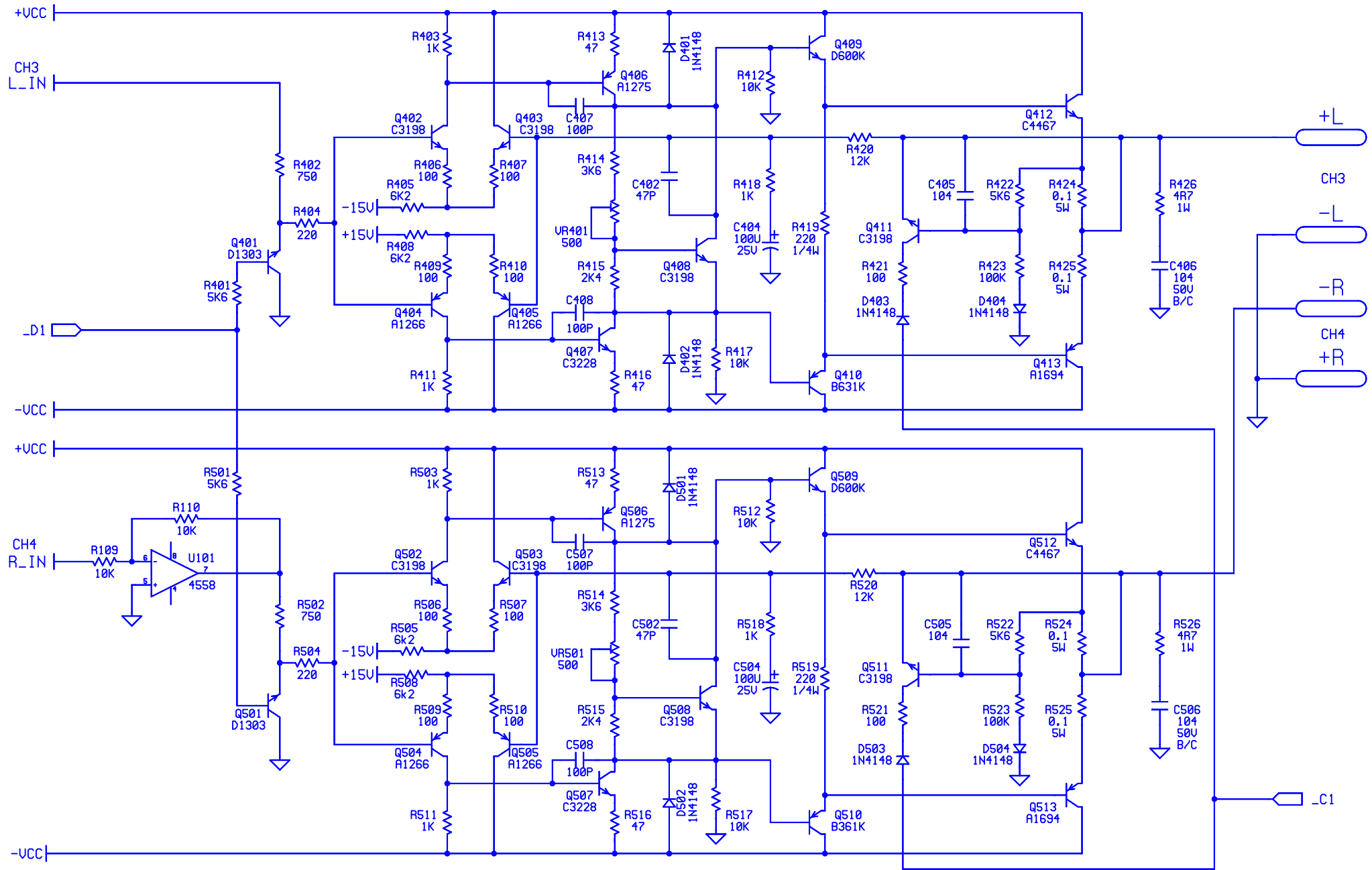


U2 (PIN4=GND, PIN8=USS)

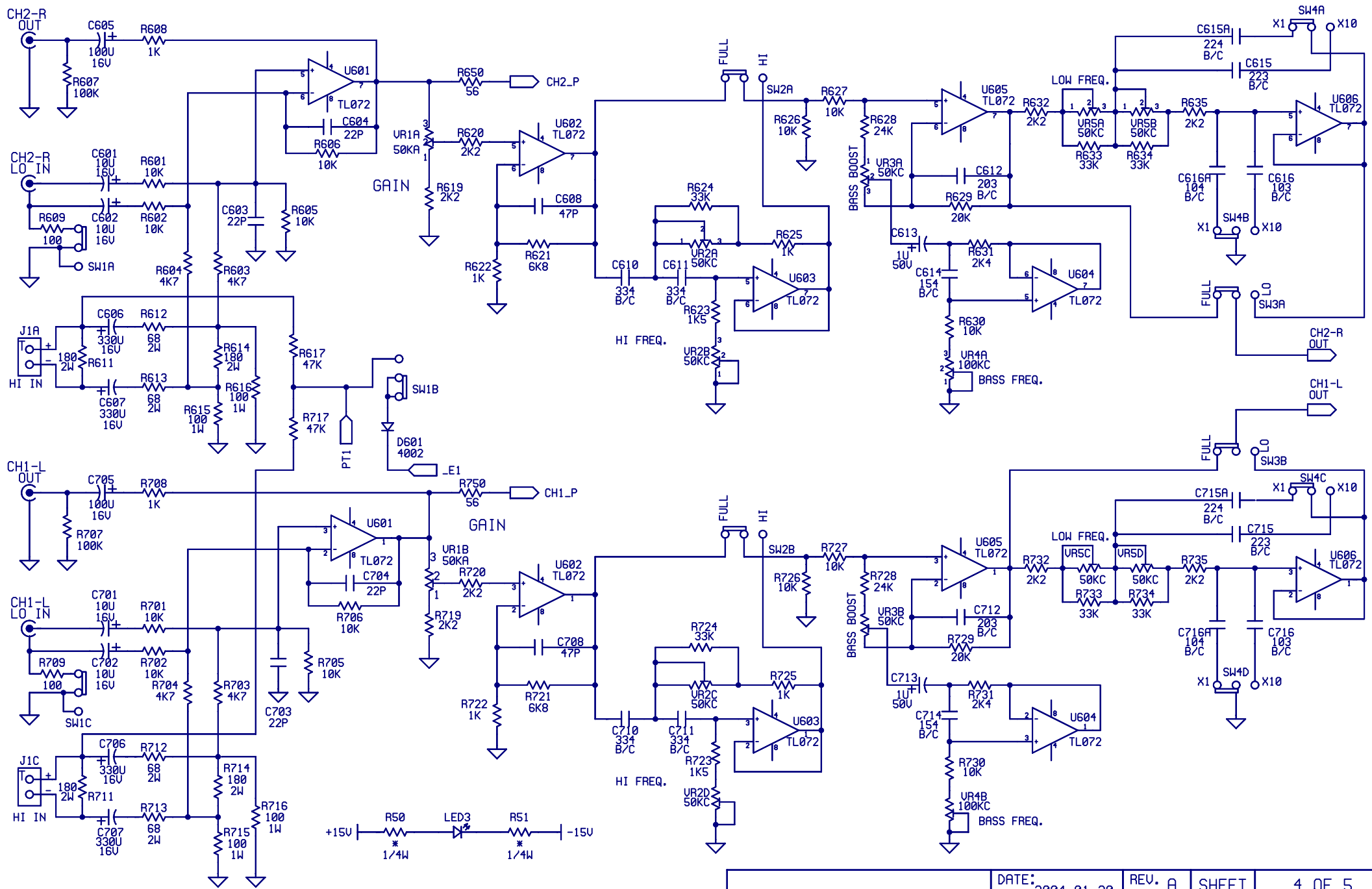
		DATE: 2004.01.30	REV. A	SHEET	1 OF 5
DRAWN BY	CHECKED BY	APPROVED BY	MODEL NO	10100	
			DESCRIPTION		
			DRAWING NO	00-10100-00	



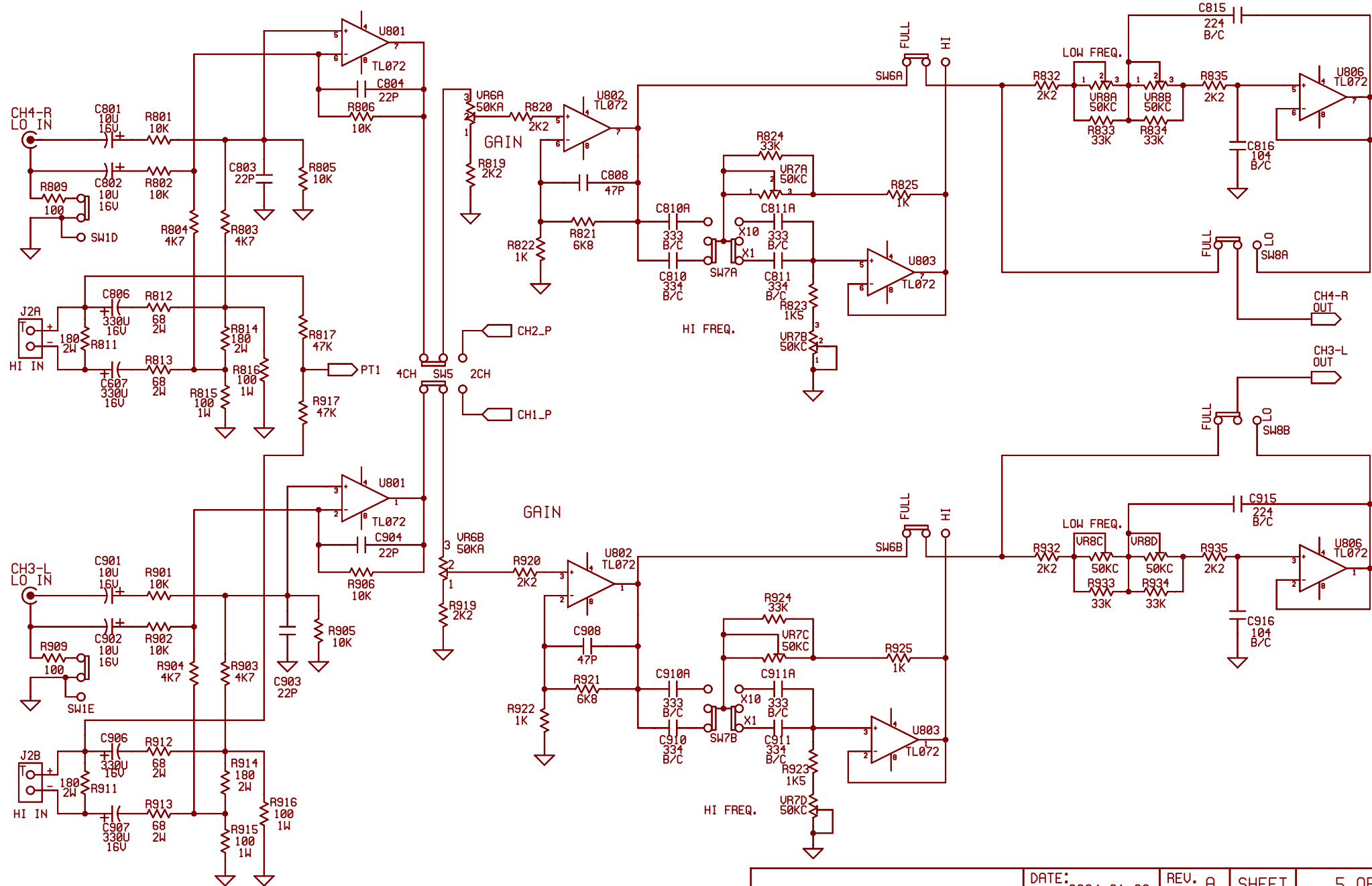
		DATE: 2004.01.30	REV. A	SHEET	2 OF 5
DRAWN BY	CHECKED BY	APPROVED BY	MODEL NO	10100	
			DESCRIPTION		
			DRAWING NO	00-10100-00	



		DATE: 2004.01.30	REV. A	SHEET	3 OF 5
DRAWN BY	CHECKED BY	APPROVED BY	MODEL NO	10100	
			DESCRIPTION		
			DRAWING NO	00-10100-00	



		DATE: 2004.01.30	REV. A	SHEET	4 OF 5
DRAWN BY	CHECKED BY	APPROVED BY	MODEL NO	10100	
			DESCRIPTION		
			DRAWING NO	00-10100-00	



		DATE: 2004.01.30	REV. A	SHEET	5 OF 5
DRAWN BY	CHECKED BY	APPROVED BY	MODEL NO	10100	
			DESCRIPTION		
			DRAWING NO	00-10100-00	