



audison

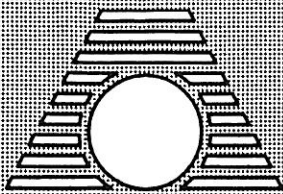
- SERVICE MANUAL -

LR 3042

LR 3062

PRELIMINARY

Issued February 1995



audison

MANUALE DI SERVIZIO
OWNER'S MANUAL

BEDIENUNGSANLEITUNG
MANUAL D'ASSISTANCE

Amplificatore di potenza per auto

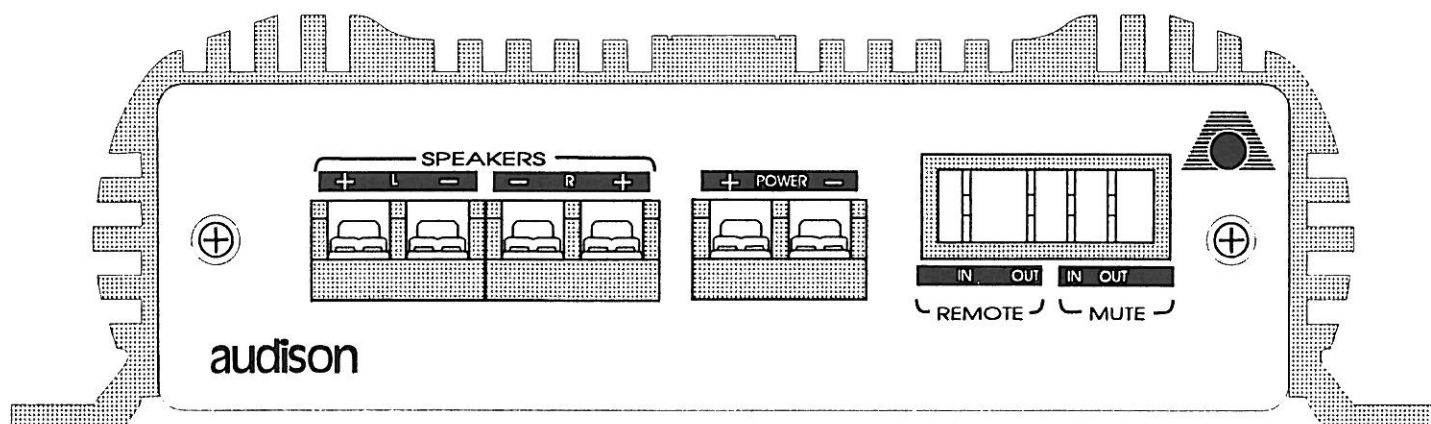
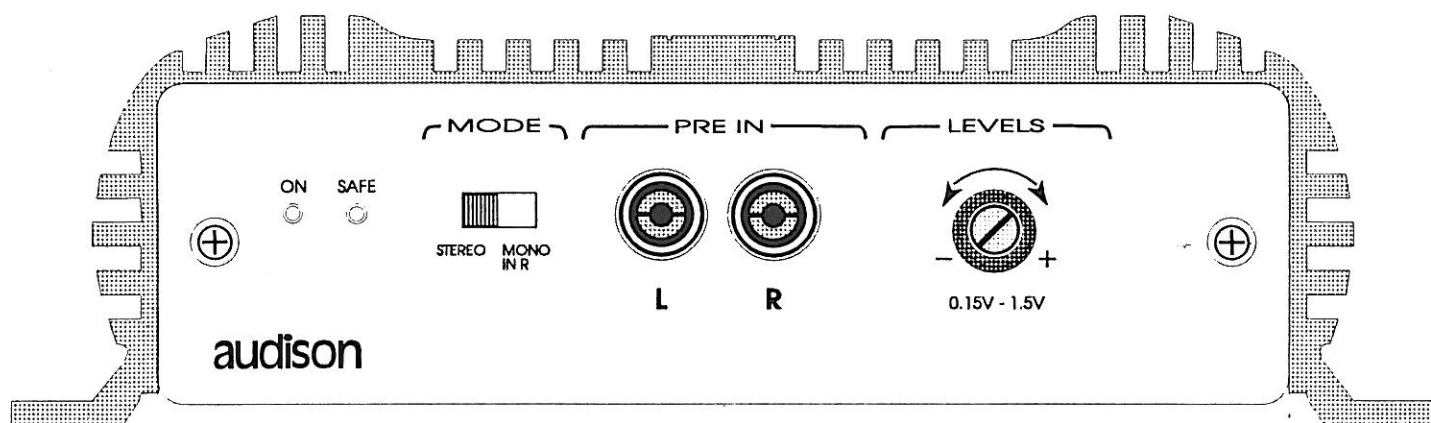
Auto Hi Fi Endstufen

Car power amplifier

Amplificateur de puissance pour l'automobile

LR 3042

LR 3062



ENGLISH

CHARACTERISTICS

LR 3042, LR 3062: Two-channel amplifiers of compact dimensions and excellent musical performances.

The outstanding features of the sophisticated circuitry are: "FRONT END" stages realized by two complementary differential stages, final stages made of an inverted triplet at pure complementary symmetry, final transistors with current capacity of 15 A and MOSFET PWM power supply with high energy supply.

The design of the LR 30 (LR 3042 - LR 3062) dimension allows an easy work nominal loads of 2 Ohms in stereo configuration and 4 Ohms in bridge mono configuration.

These features allow a great versatility in the use both of the multiway systems drive and in the connection with mono SUBWOOFERS or in TRI-MODE connection.

PRECAUTIONS

- In order for this device to function properly it's important that it be installed in a spot where the temperature doesn't fall below 0° C (32° F) or rise above 55° C (131° F).
- It must be installed in a dry and well ventilated spot.
- The power supply voltage is 12 VCC negative to ground. Make sure that the characteristics of the vehicle electrical system are compatible.
- For safe driving it's advised to listen to music at volume level that won't drown out external traffic noise.

INSTALLATION

For mounting use 4 self-threading screws and protective plastic rings provided.

For a very good result we suggest to use **audison cable** products to complete your installation. These include: power cables, signal cables, speaker wires RCA connectors and all accessories needed to complete the wiring.

WARNING

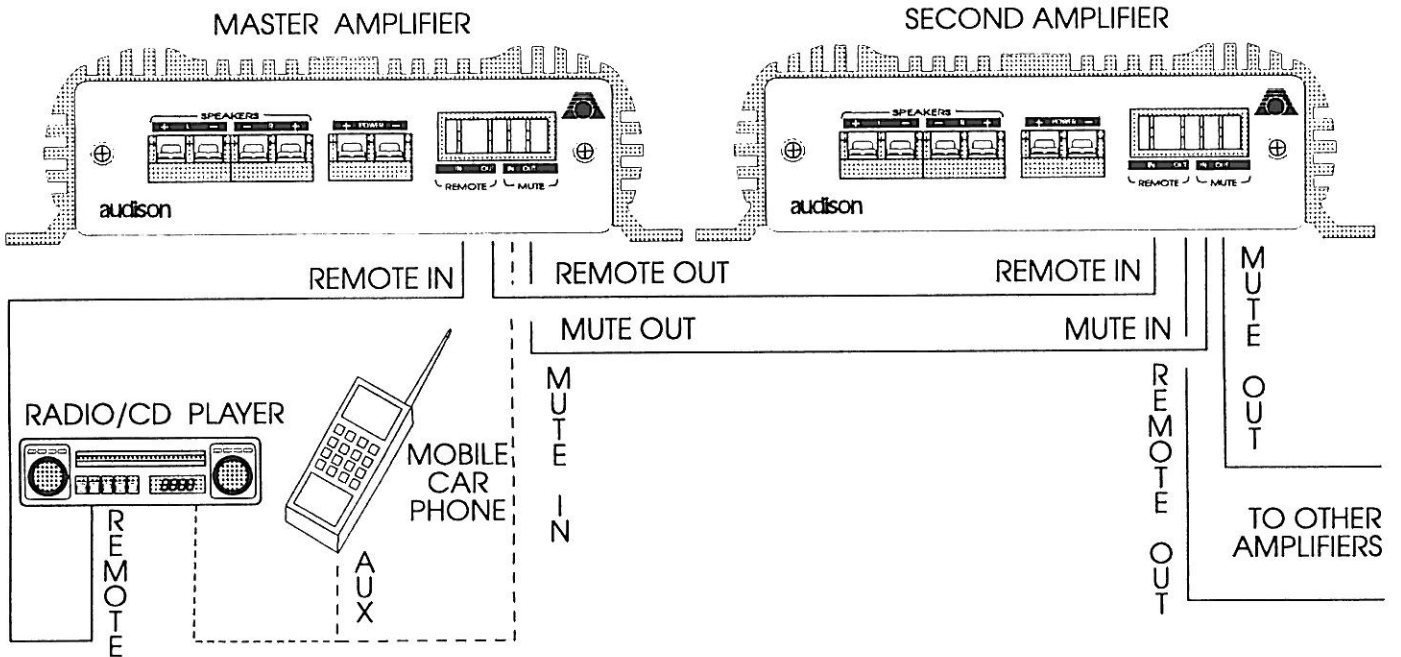
- **INPUT:** If the radio-cassette player's output GND isn't connected to car body, the braided shield of shielded cable must be connected to the radio-cassette player chassis.
 - **OUTPUTS:** Never connect the output to ground or to each other.
- If a crossover filter is used be sure the two channels don't have a common ground.
- **REGULATION:** If you should hear distortion phenomena at moderate volume levels it means a distorted signal is coming from the radio-cassette player.

Turn radio-cassette player volume down until there's no longer any distortion.

Then adjust amplifier levels until just beginning to hear slight distortion phenomena.

LR 3042 - LR 3062

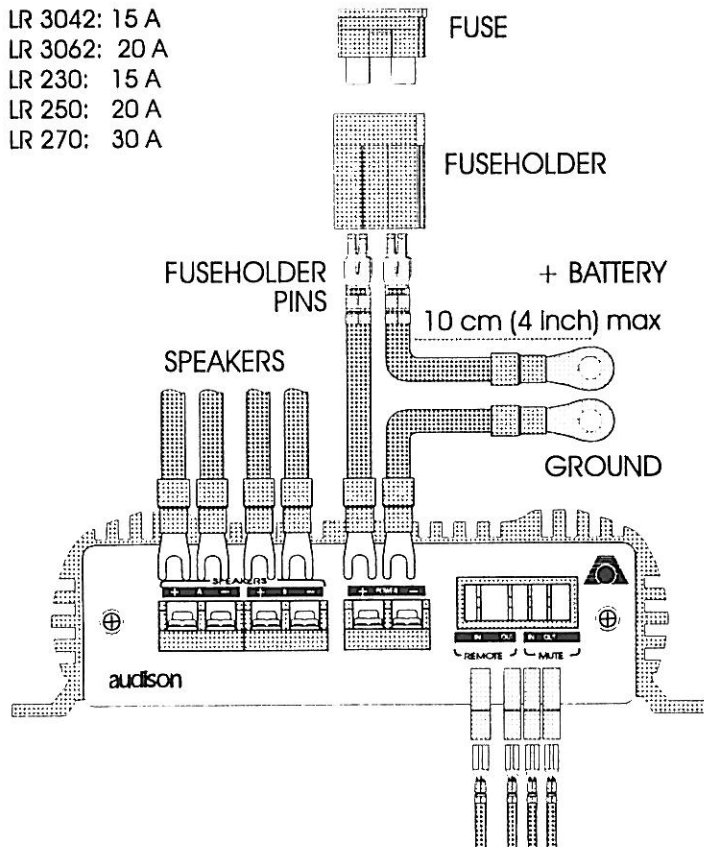
MUTE AND REMOTE MASTER SLAVE CONNECTION



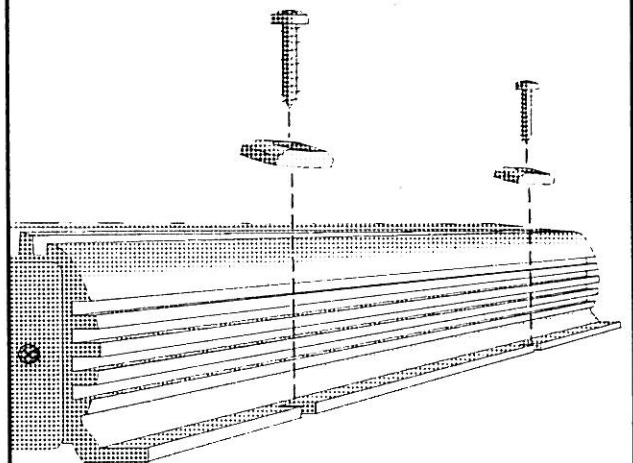
LR 3042 - LR 3062

SERVICE CONNECTIONS

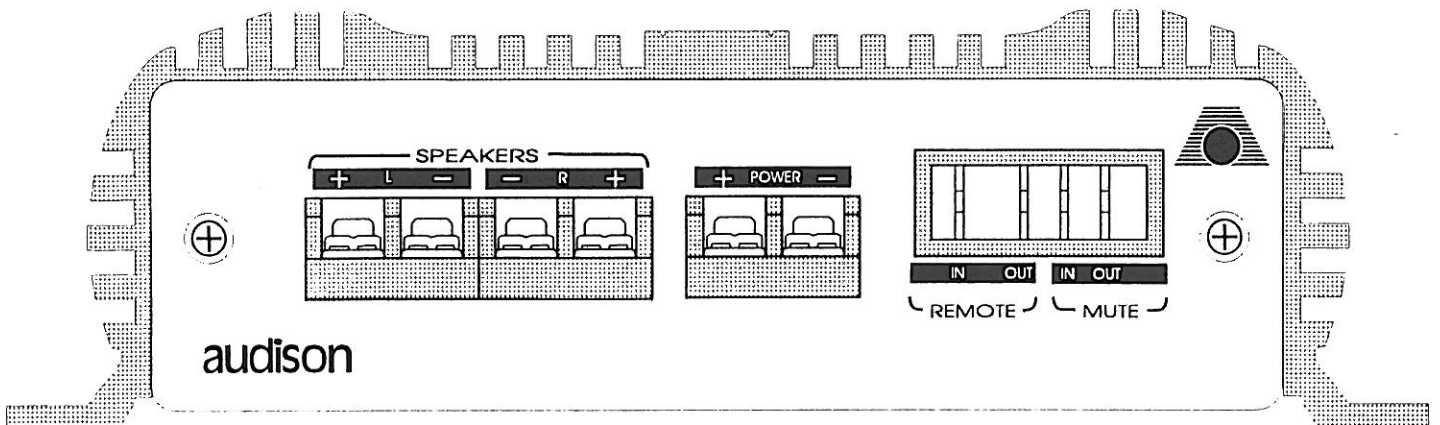
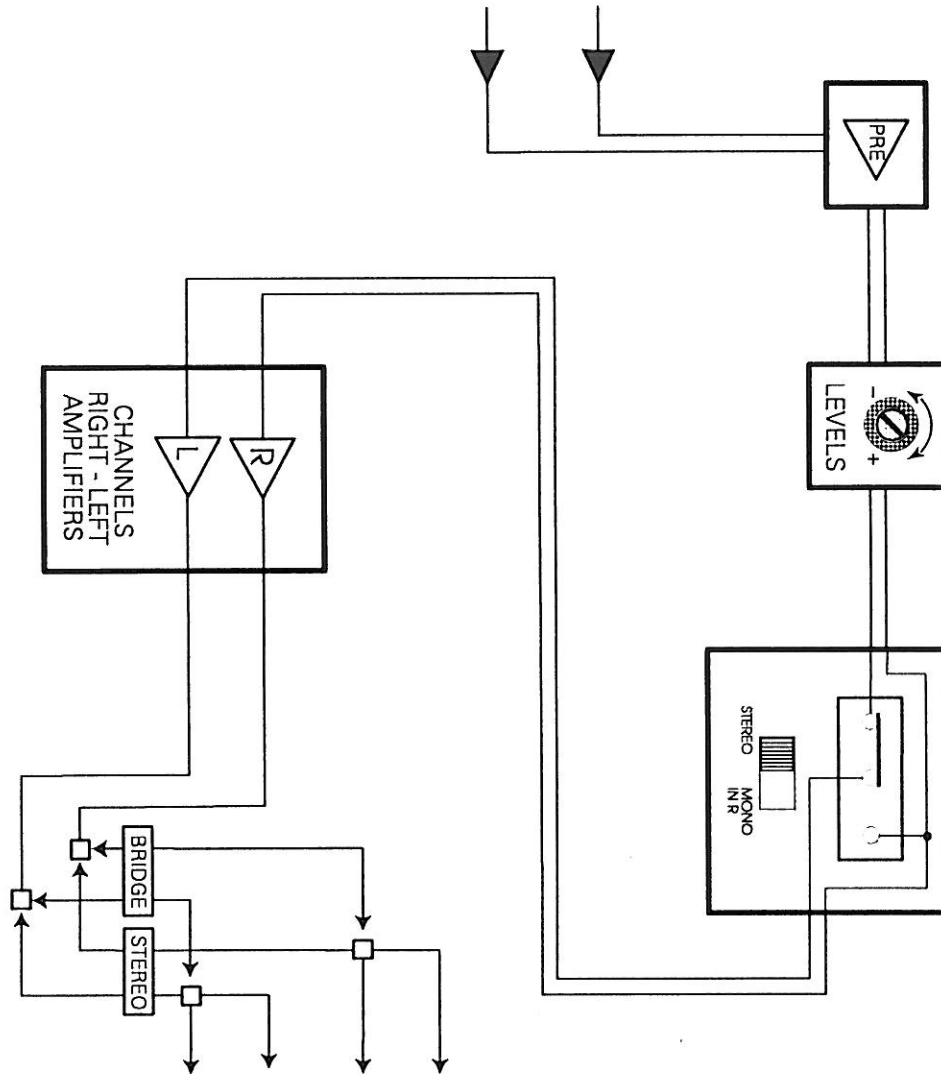
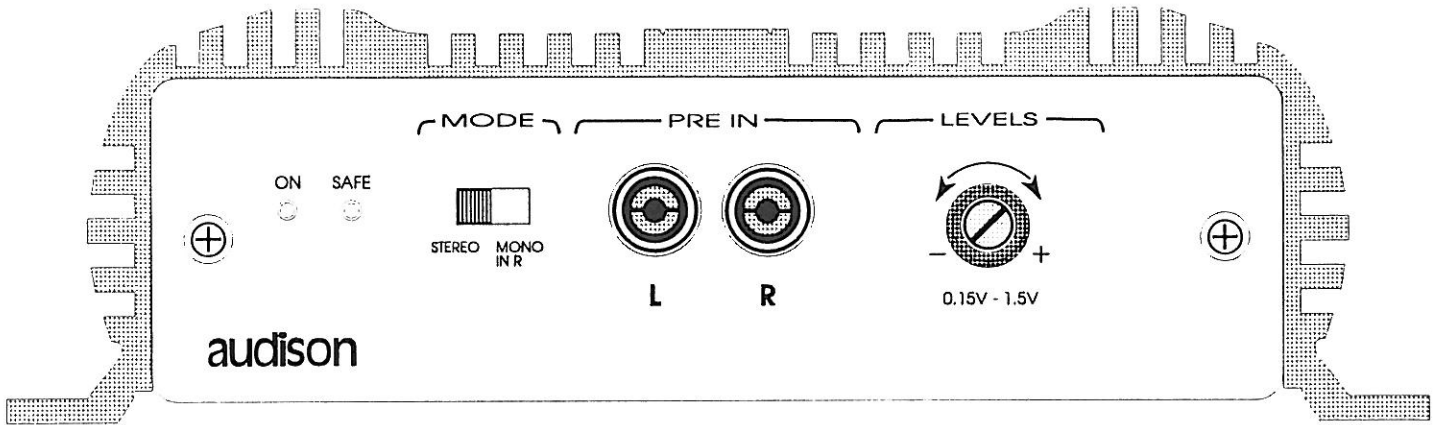
- LR 3042: 15 A
- LR 3062: 20 A
- LR 230: 15 A
- LR 250: 20 A
- LR 270: 30 A



UNIT FIXING

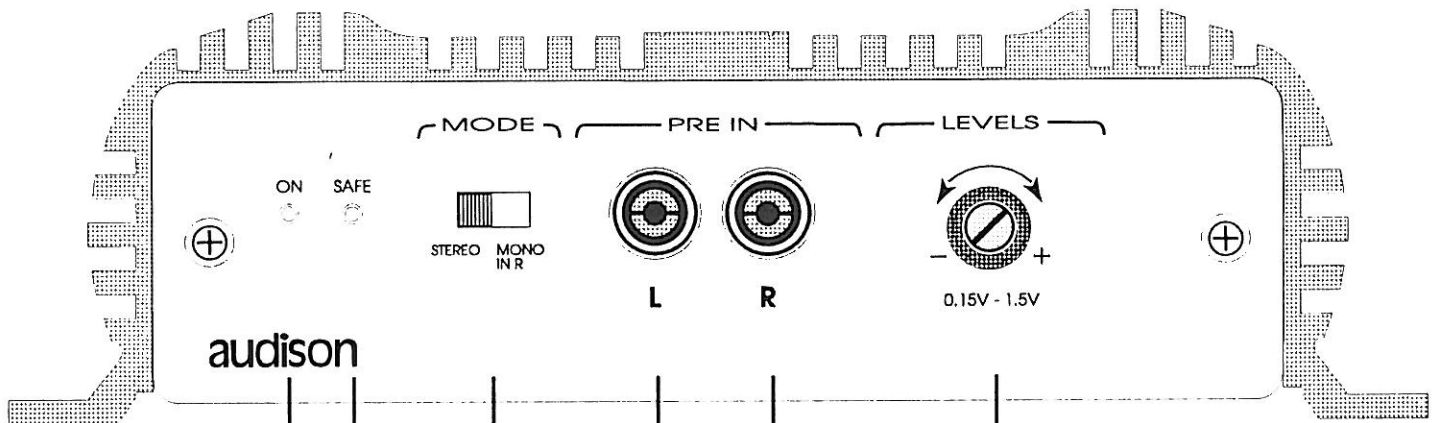


LR 3042 - LR 3062 BLOCK DIAGRAM



LR 3042 - LR 3062

CONTROLS AND FUNCTIONS



INDICATORS LIGHTS

ON

Lit when amplifier is ON.

SAFE

When lit indicates intervention of protection circuits in case of overheating (temperature exceeding 80° C /176° F) or output trouble (presence of continuous current, short circuit, or dangerously low-impedance load).
When protection circuits intervene the amplifier shuts down. Turn power off.
When problem is corrected turn amplifier back on.

FUNCTION SELECTION

MODE

STEREO:
Amplifier is set for stereo function.

MONO IN R:
Amplifier is set for mono function. Right input is used.

INPUTS

PRE IN

Amplifier's Left-Right inputs. Can be used to amplify the PRE output of a signal source (radio, CD-DAT), electronic crossover output, or preamplified output of any type of signal processor.

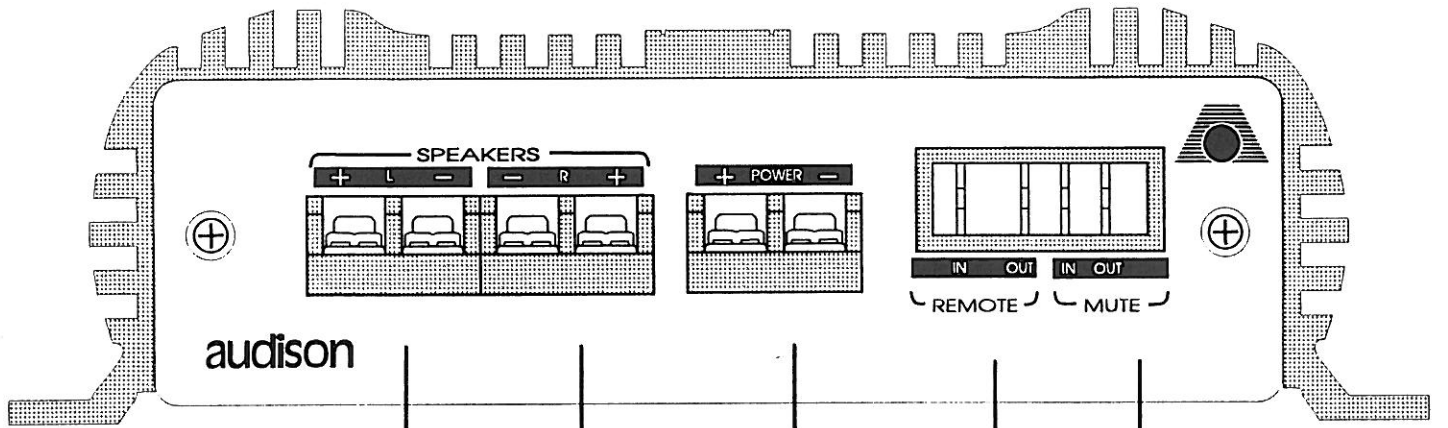
LEVEL CONTROLS

LEVELS

Level adjustment for amplifier's output. Sensitivity varies from 150mV to 1.5V.

LR 3042 - LR 3062

CONFIGURATION OF CONNECTING CLAMPS



OUTPUT POWER CLAMPS

L / R
Power outputs for amplifier's Left and Right channels. Connect speakers respecting indicated polarity.

MONO
Outputs for bridged mono configuration. To be used when amplifier is set in MONO IN R mode by mode switch found on amplifier's front panel.

POWER SUPPLY CLAMPS

POWER
Input clamps for amplifier's power supply. Connect to battery according to polarity indicated. Voltage applied must be between 11 and 15 VDC.

REMOTE

IN
Turn on command for amplifier coming from radio/cassette player (or any source provided with remote output for amplifiers). Voltage applied must be between 3 and 16 VDC.

OUT
Output leading to other amplifiers in sound system. Is connected to REMOTE IN of successive amplifiers for relaying turn-on command. Available voltage at this output is 12 VDC with a current equal to 250 mA.

MUTE

IN
Mute command coming from radio/cassette player (or any source provided with mute output for amplifiers). Especially for connection to mute output of a cellular telephone in order to silence amplifier for incoming calls and reactivate musical reproduction at the end of phone conversation. Can be connected to MUTE OUT of a preceding amplifier to grant simultaneous silencing of all amplifiers connected in cascade. Voltage applied must be between 3 and 16 VDC.

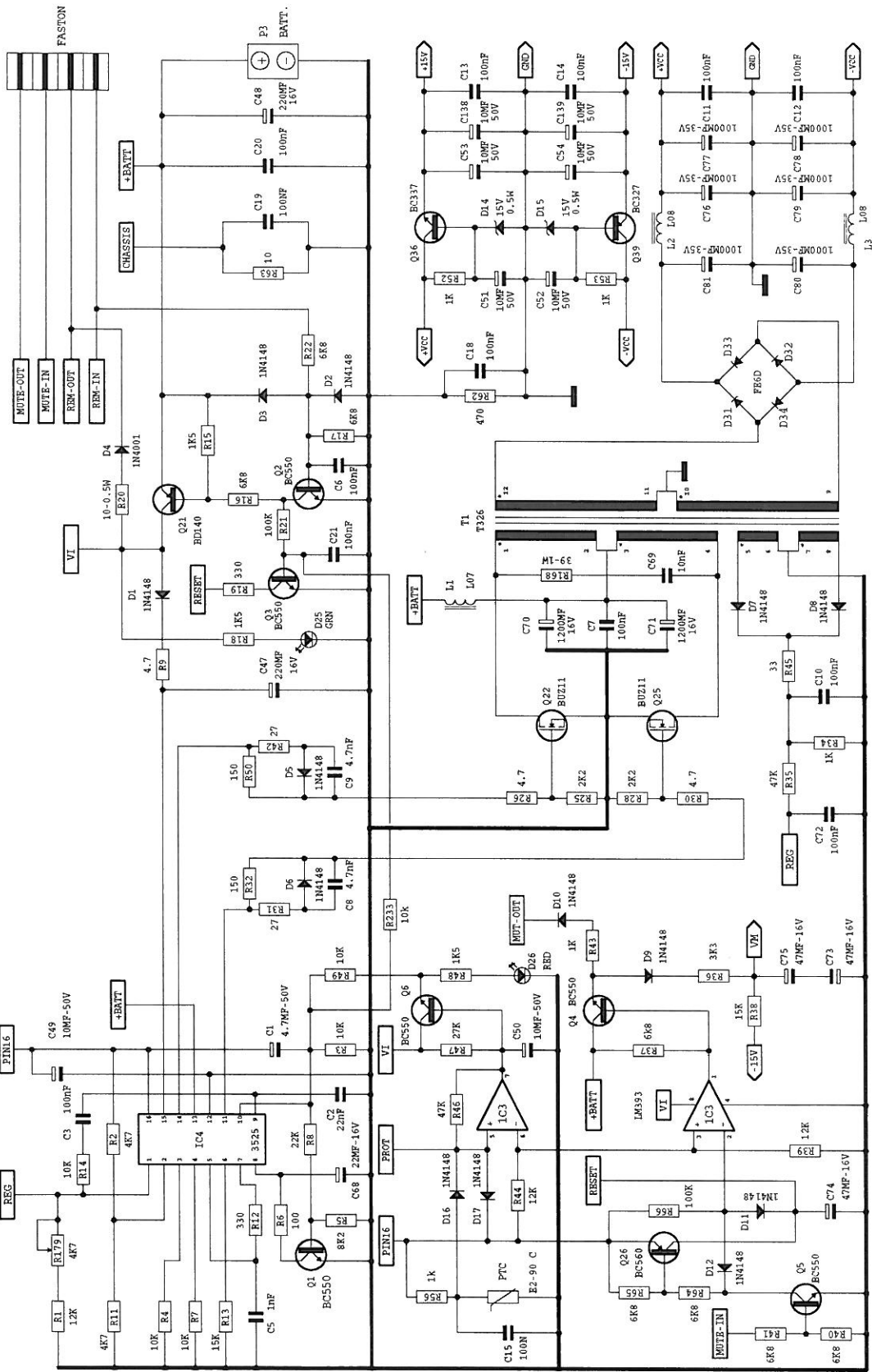
OUT
Output leading to other amplifiers in sound system. Is connected to MUTE IN of successive amplifier to allow simultaneous silencing of all amplifiers connected in cascade. Available voltage at this output is 12 VDC with current equal to 5 mA.

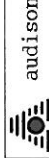
LR 3042

ENGLISH

TECHNICAL DATA

| | |
|---------------------------------|---|
| POWER SUPPLY | 11 - 15 VDC |
| IDLING CURRENT | 0.7 A |
| MAX CONSUMPTION (2 Ch x 4 Ohm) | 14 A |
| DISTORTION THD (1 KHz) | 0.07 % |
| OUT POWER CONT. (2 Ch x 4 Ohm) | 2 x 40 W (RMS) |
| OUT POWER CONT. (2 Ch x 2 Ohm) | 2 x 60 W (RMS) |
| OUT POWER MONO (bridge) (4 Ohm) | 120 W (RMS) |
| TRI-MODE CONNECT. (4 Ohm) | 40+40+120 W (RMS) (pulse) |
| BANDWIDTH (-3 dB) | 4 Hz - 70 KHz |
| DAMPING FACTOR | 120 |
| RISE TIME | 4.5 μ S |
| S/N RATIO (W "A") | 98 dB |
| REMOTE IN | 3 - 16 VDC |
| REMOTE OUT | 12 VDC |
| MUTE IN | 3 - 16 VDC |
| MUTE OUT | 12 VDC |
| INPUT SENSITIVITY | 0.15 V - 1.5 V |
| INPUT IMPEDANCE | 15 KOhm |
| OUTPUT IMPEDANCE | 2 - 4 - 8 Ohm |
| SIZE (WxHxD) | 175 x 50 x 250 mm (6.89 x 1.97 x 9.84 inch) |



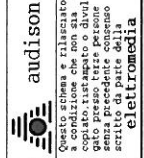

DESCRIPTION: LR 3042 power supply
REVISION: B **DATE:** 29-07-1995
DRAWN: 167217 **SHEET:** 1 OF 3

Questo schema è rilasciato
 coperto, ristampato o divul-
 gato presso senza permesso
 scritto da parte della
elettronica

| | | | |
|---|--|--|--|
| | | | |
| H | | | |
| G | | | |
| | | | |

| | | | |
|---|--|--|--|
| | | | |
| D | | | |
| C | | | |
| | | | |

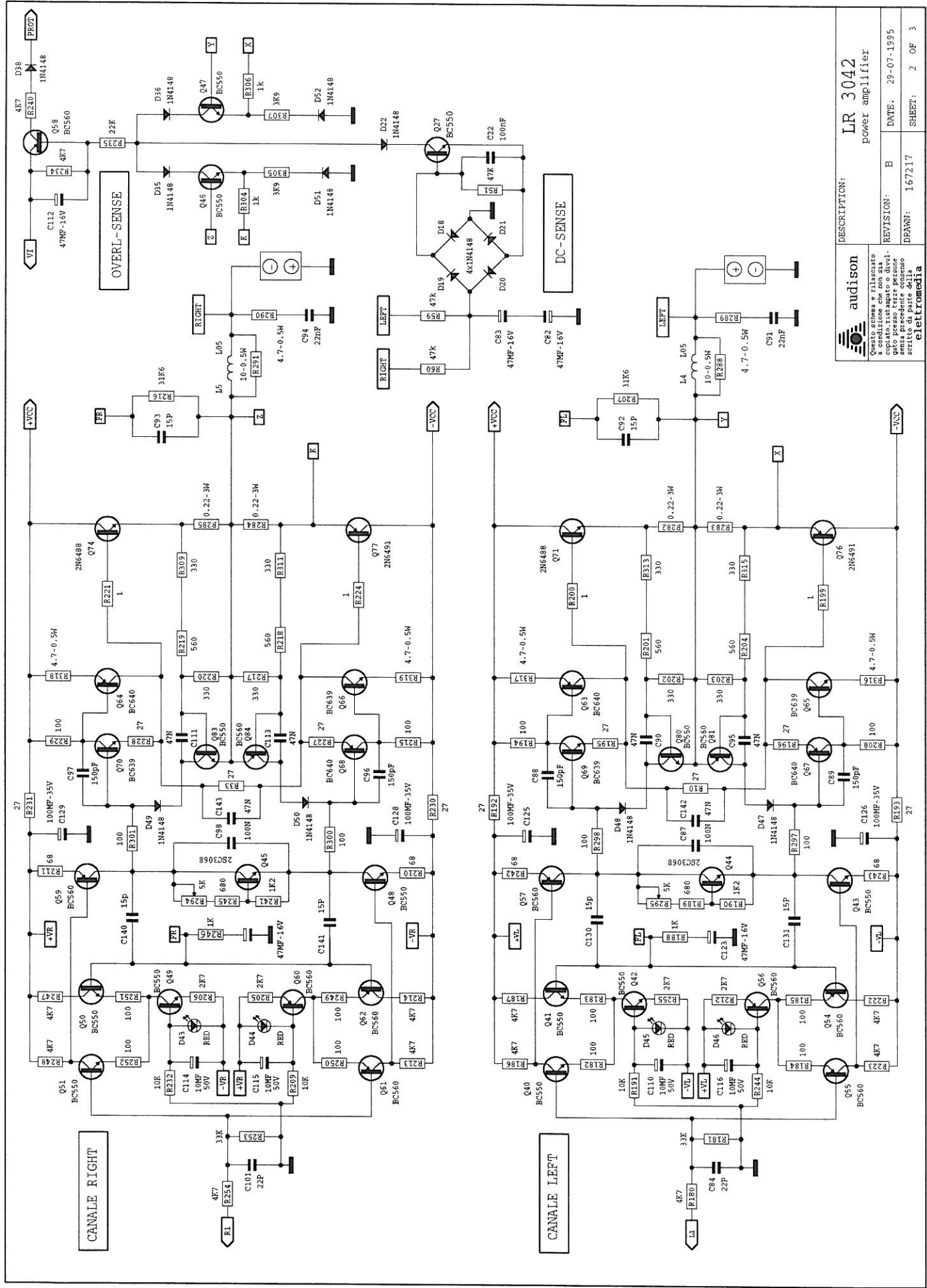
| | | | |
|--|--|--|--|
| | | | |
| | | | |
| | | | |
| | | | |



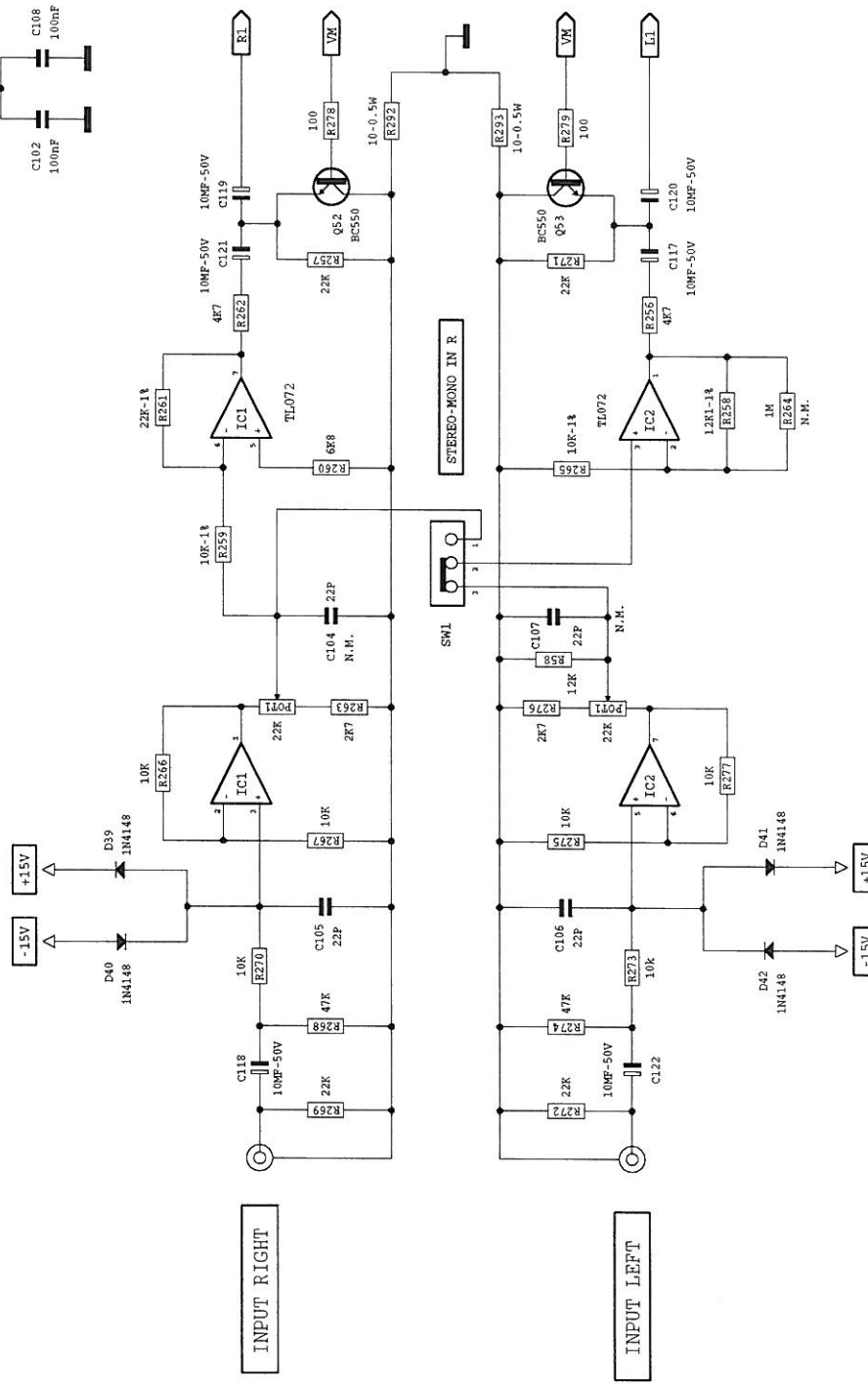
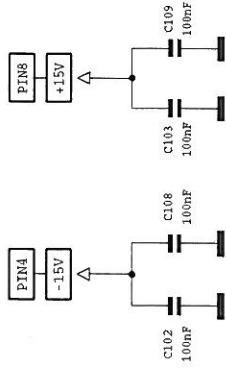
Questo schema e' rilasciato in forma di disegno coperto, ristampato o divulgato senza permesso scritto e' considerato reato penale.

DESCRIPTION: LR 3042 power amplifier

REVISION: B DATE: 29-07-1995
DRAWN: 167217 SHEET: 2 OF 3



| | | | |
|--|--|--|--|
| | | | |
| | | | |
| | | | |
| | | | |



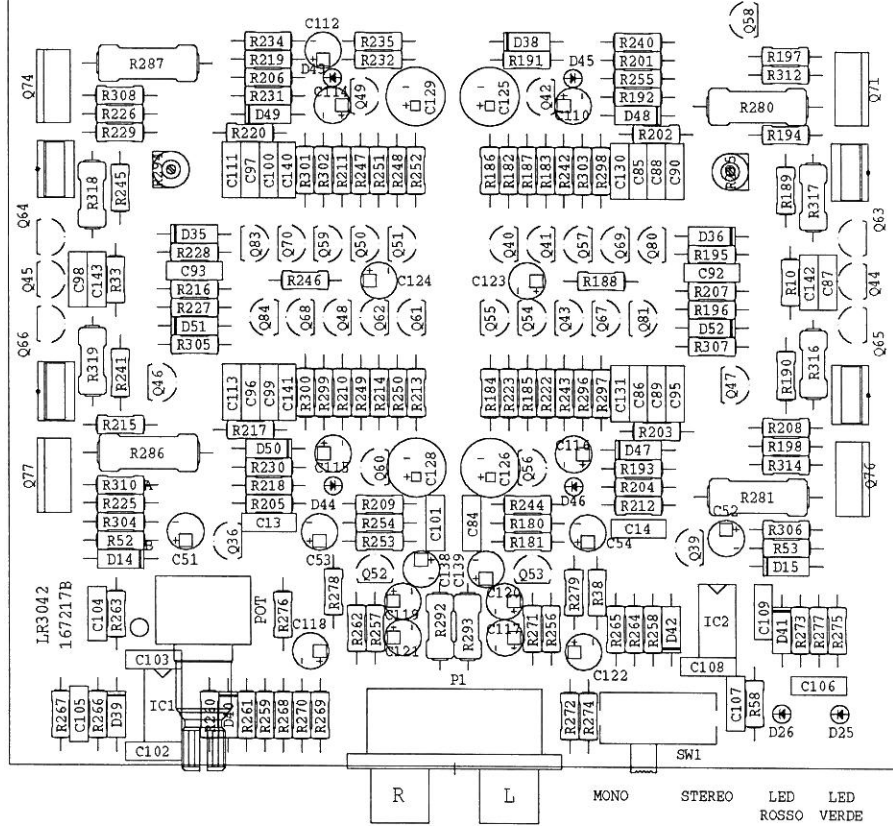
audison
 Questo schema è rilasciato
 sotto licenza di diritto di
 copiato, ristampato o divul-
 gato presso tutte persone
 interessate, purché sia
 scritto da parte della
elettronedia

DESCRIPTION: LR 3042
 input left-right
 REVISION: B DATE: 29-07-1995
 DRAWN: 167217 SHEET: 3 OF 3

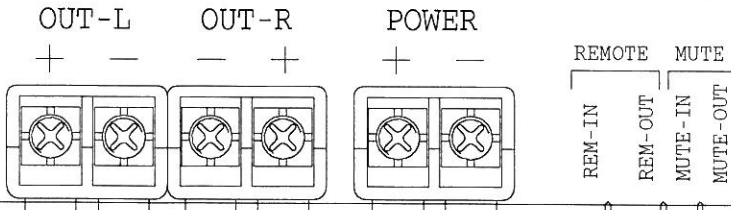
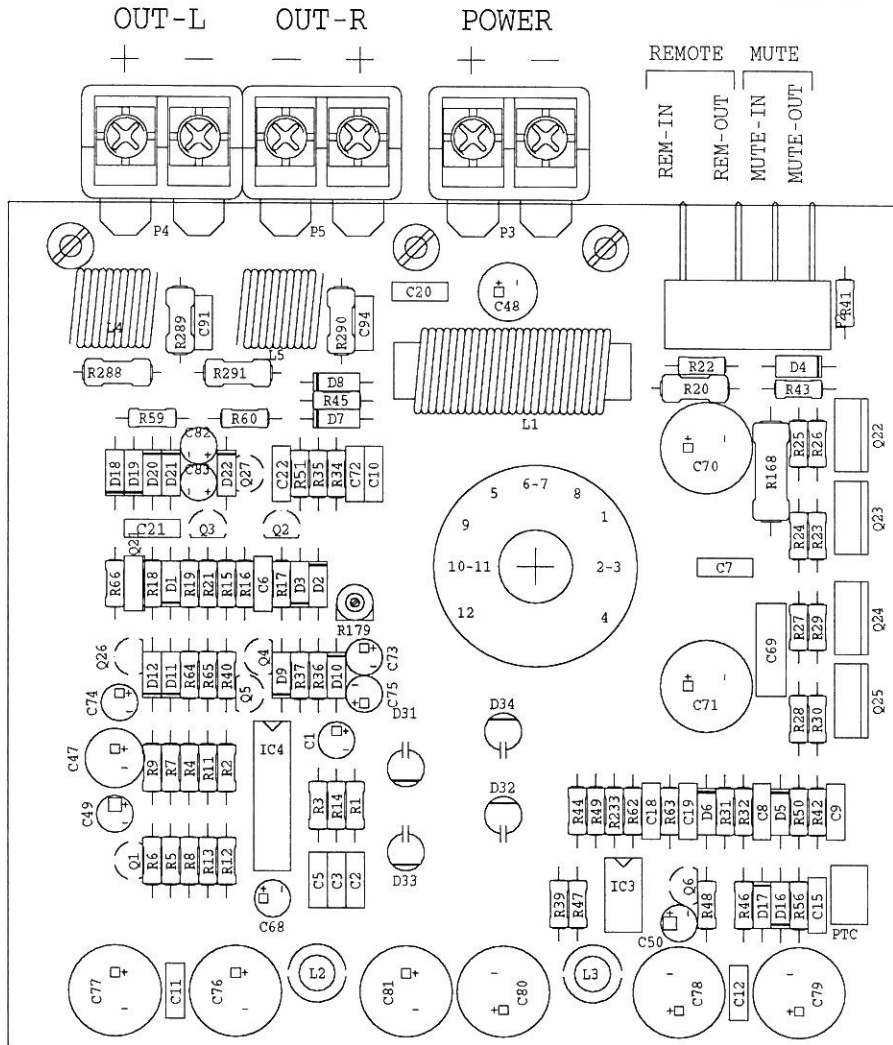
| | |
|--|----|
| | H |
| | G |
| | E4 |
| | E3 |

| | |
|--|---|
| | B |
| | C |
| | A |

CANALE R



CANALE L



\$\$\$1

audison
 Questo schema è rilasciato a condizione che non sia copiato, ristampato o divulgato senza permesso scritto dalla **elettromedia**

| | |
|----------------------|------------------|
| DESCRIPTION: LR 3042 | DATE: 04-07-1995 |
| REVISION: B | DRAWN: 167217 |
| SHEET: 1 OF 1 | |

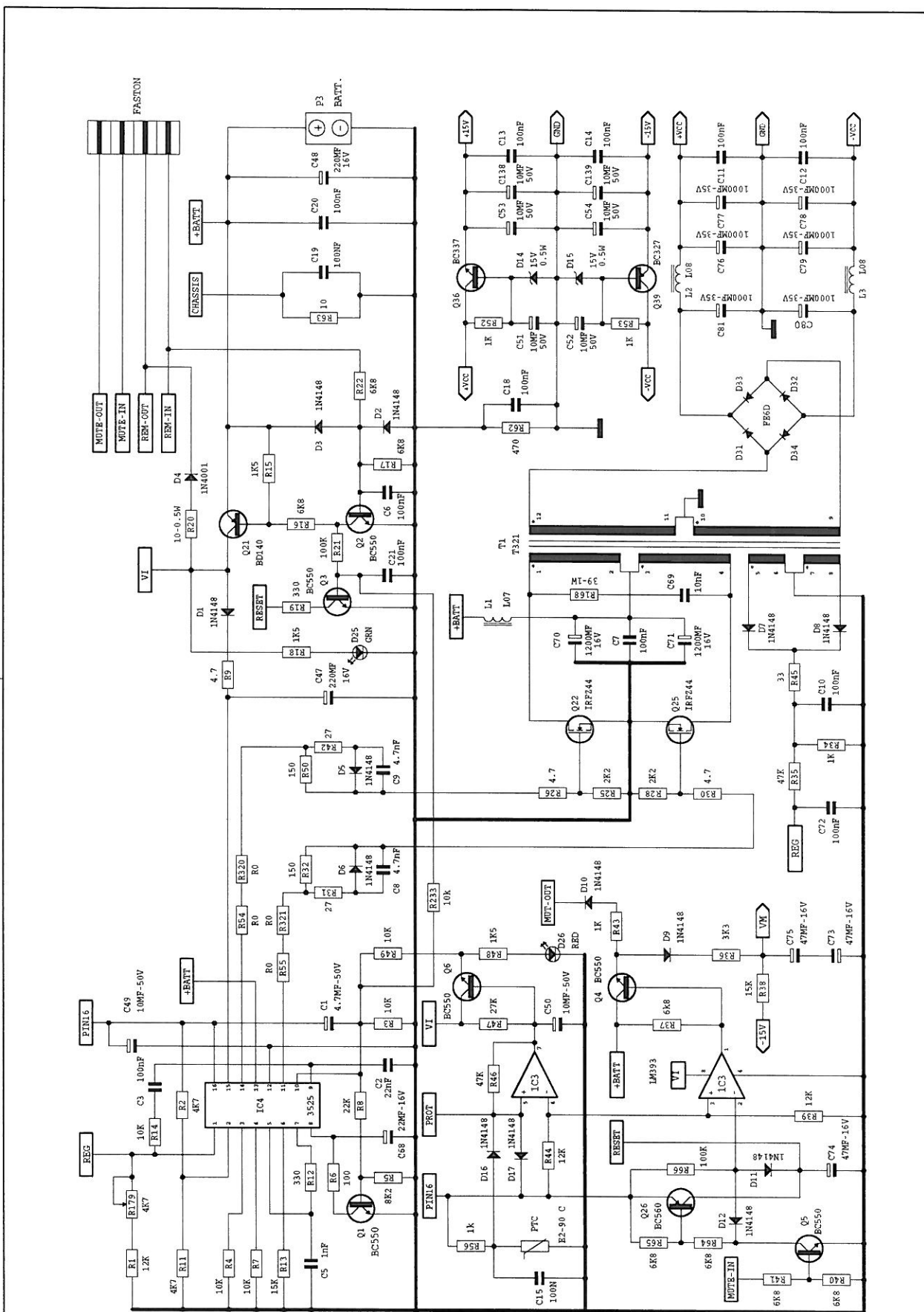
LR 3062

ENGLISH

TECHNICAL DATA

| | |
|---------------------------------|--|
| POWER SUPPLY | 11 - 15 VDC |
| IDLING CURRENT | 0.8 A |
| MAX CONSUMPTION (2 Ch x 4 Ohm) | 18 A |
| DISTORTION THD (1 KHz) | 0.07 % |
| OUT POWER CONT. (2 Ch x 4 Ohm) | 2 x 60 W (RMS) |
| OUT POWER CONT. (2 Ch x 2 Ohm) | 2 x 90 W (RMS) |
| OUT POWER MONO (bridge) (4 Ohm) | 180 W (RMS) |
| TRI-MODE CONNECT. (4 Ohm) | 60+60+180 W (RMS) (pulse) |
| BANDWIDTH (-3 dB) | 4 Hz -70 KHz |
| DAMPING FACTOR | 120 |
| RISE TIME | 4.5 μ S |
| S/N RATIO (W "A") | 98 dB |
| REMOTE IN | 3 - 16 VDC |
| REMOTE OUT | 12 VDC |
| MUTE IN | 3 - 16 VDC |
| MUTE OUT | 12 VDC |
| INPUT SENSITIVITY | 0.15V - 1.5V |
| INPUT IMPEDANCE | 15 KOhm |
| OUTPUT IMPEDANCE | 2 - 4 - 8 Ohm |
| SIZE (WxHxD) | 175 x 50 x 290 mm (6.89 x 1.97 x 11.42 inch) |

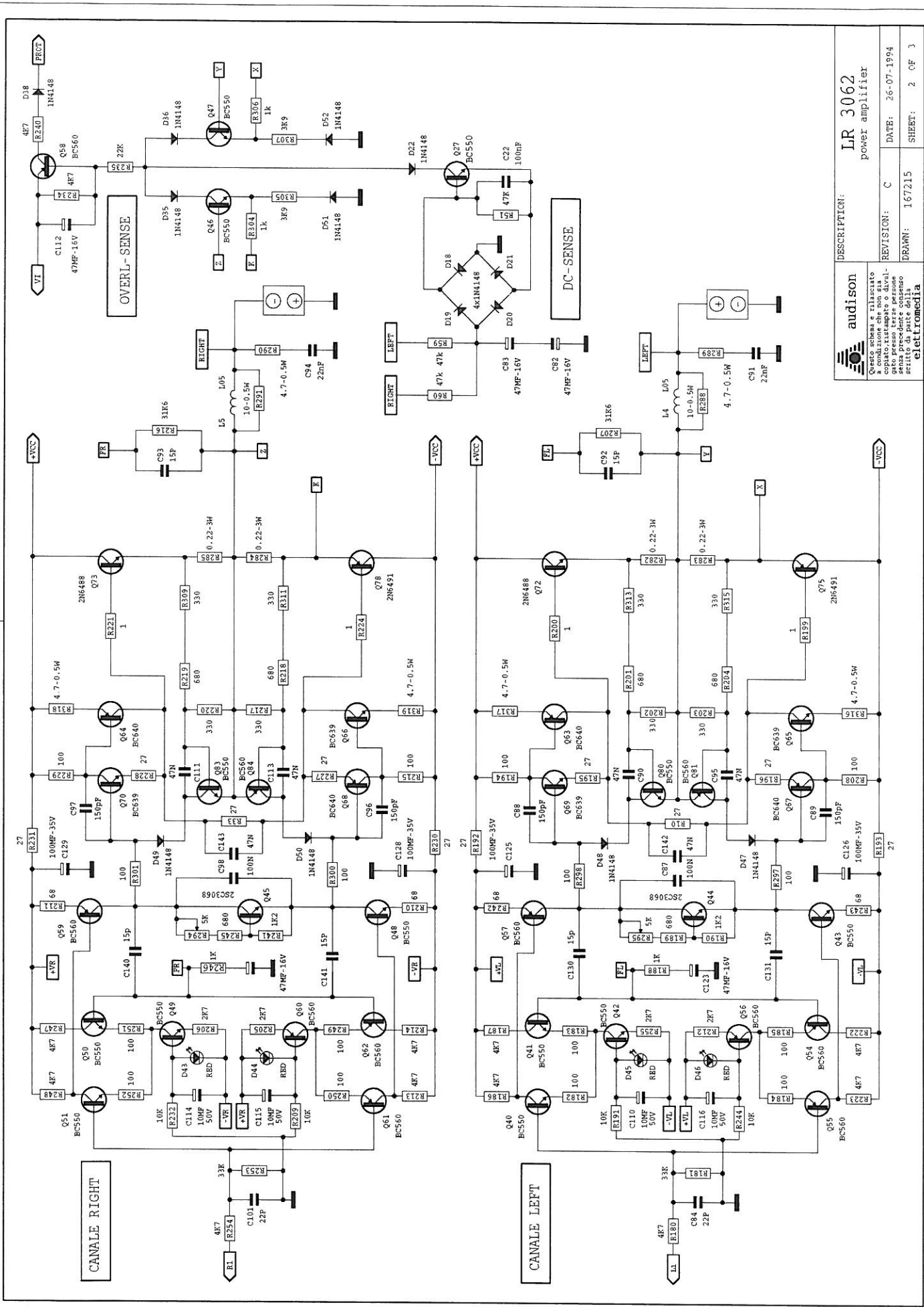
| | | | |
|---|--|--|--|
| | | | |
| H | | | |
| U | | | |



audison
 Questo schema è rilasciato
 gratuitamente per uso privato.
 Copiato, ristampato o divulgato
 senza permesso scritto della
eleotromedia

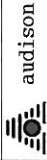
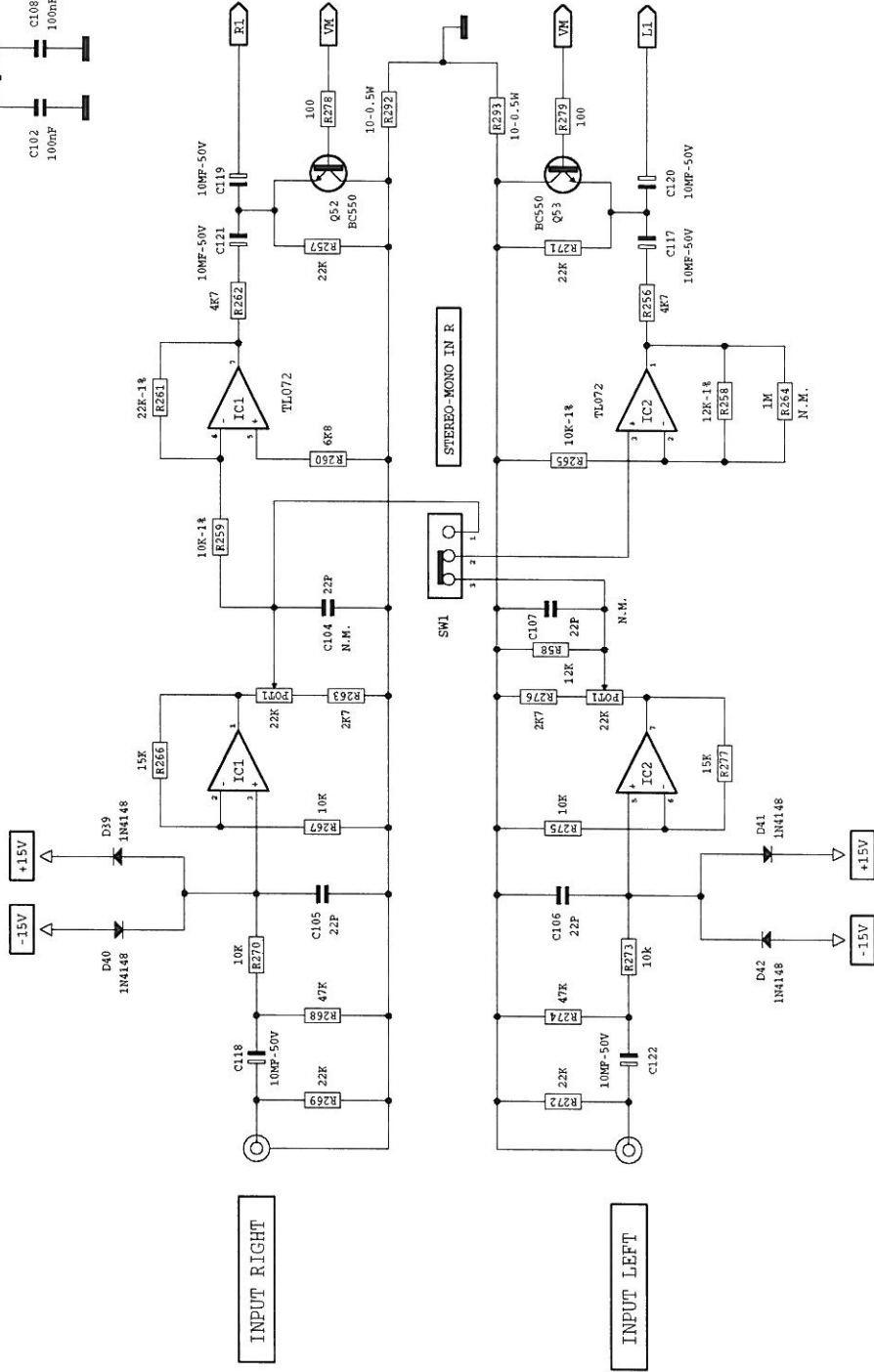
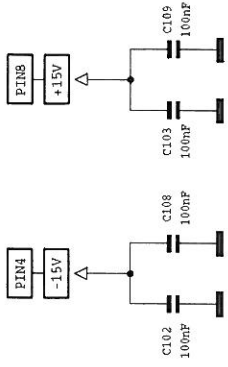
DESCRIPTION: LR 3062 power supply
 REVISION: C DATE: 26-07-1994
 DRAWN: 167215 SHEET: 1 OF 3

| | | | |
|--|--|--|--|
| | | | |
| | | | |
| | | | |



audison
 Il prodotto è rilasciato
 in condizione che non sia
 copiato, ristampato o divul-
 gato senza permesso scritto
 dalla Audison S.p.A.
 scritto da parte della
elettronmedia

| | |
|--------------|-----------------|
| DESCRIPTION: | LR 3062 |
| | power amplifier |
| REVISION: | C |
| DATE: | 26-07-1994 |
| DRAWN: | 167215 |
| SHEET: | 2 OF 3 |

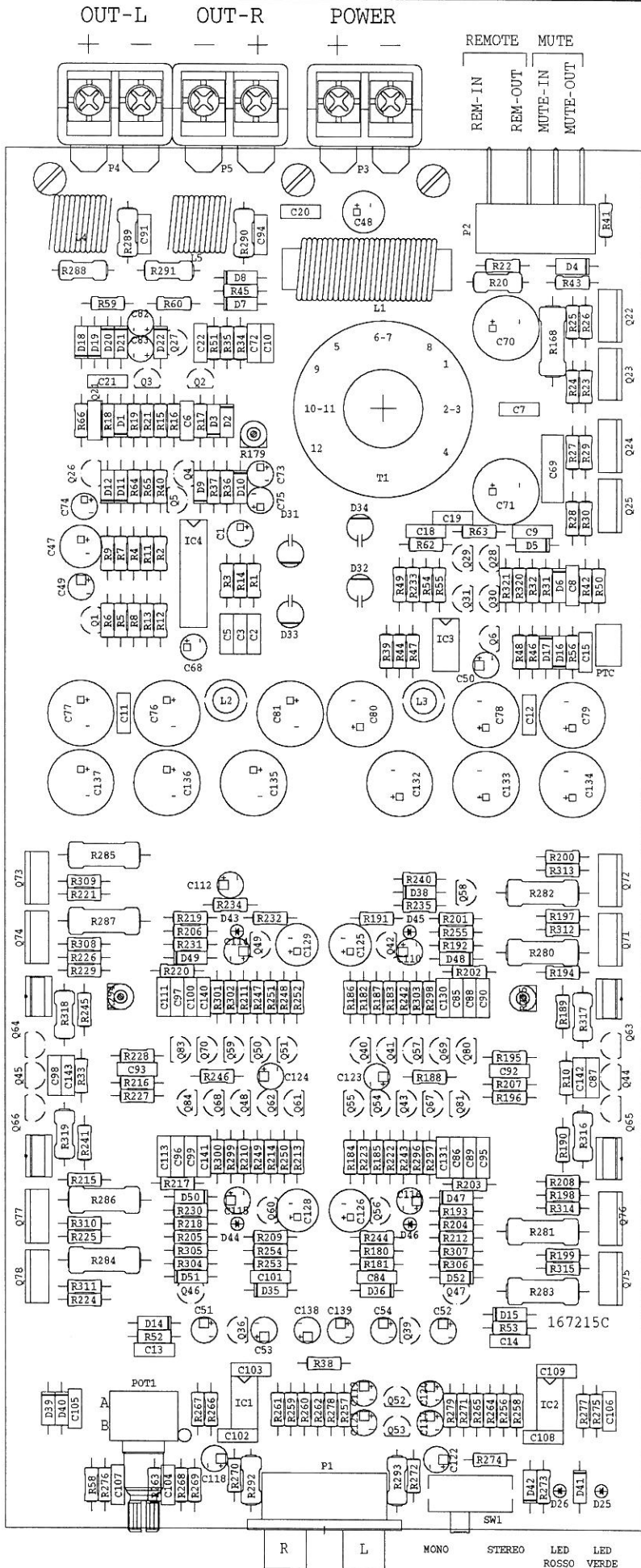


DESCRIZIONE: LR 3062
 input left-right

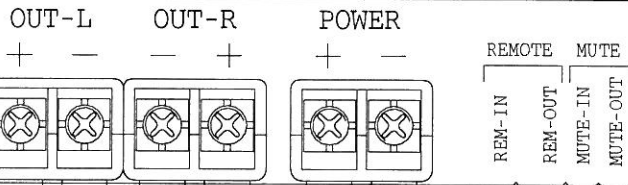
REVISIONI: C
 DATE: 26-07-1994
 DRAWN: 167215
 SHEET: 3 OF 3

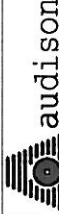
Questo è un documento
 protetto da copyright
 Audison s.p.a. è un
 marchio registrato di
 Audison s.p.a. in Italia
 e in altri paesi.
 È vietata espressamente
 la ristampa o l'uso
 non autorizzato senza
 permesso scritto da parte della
 Audison s.p.a.

CANALE R



CANALE L



| | | |
|--|--------------|---------------|
|  <p>Questo schema è rilasciato a condizione che non sia ristampato, copiato, distribuito o usato senza permesso scritto da parte della elettronmedia</p> | DESCRIPTION: | LR 3062 |
| | REVISION: | C |
| | DATE: | 04-07-1995 |
| DRAWN: | 167215 | SHEET: 1 OF 1 |

MONO STEREO LED LED
ROSSO VERDE