

# JVC

# SCHEMATIC DIAGRAMS

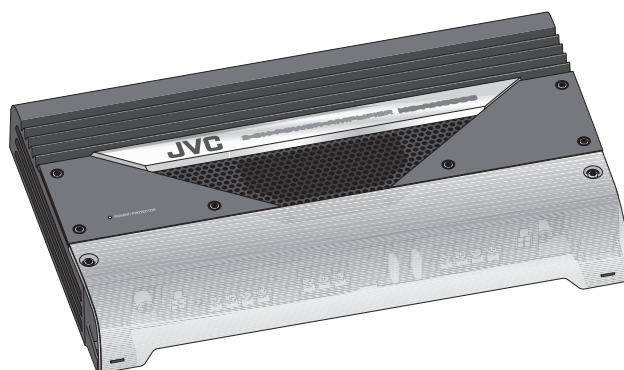
## POWER AMPLIFIER

# KS-AX5700

CD-ROM No.SML200509

### Area suffix

J ----- Northern America  
E ----- Southern Europe  
U ----- Other Areas




Lead free solder used in the board (material : Sn-Ag-Cu, melting point : 219 Centigrade)

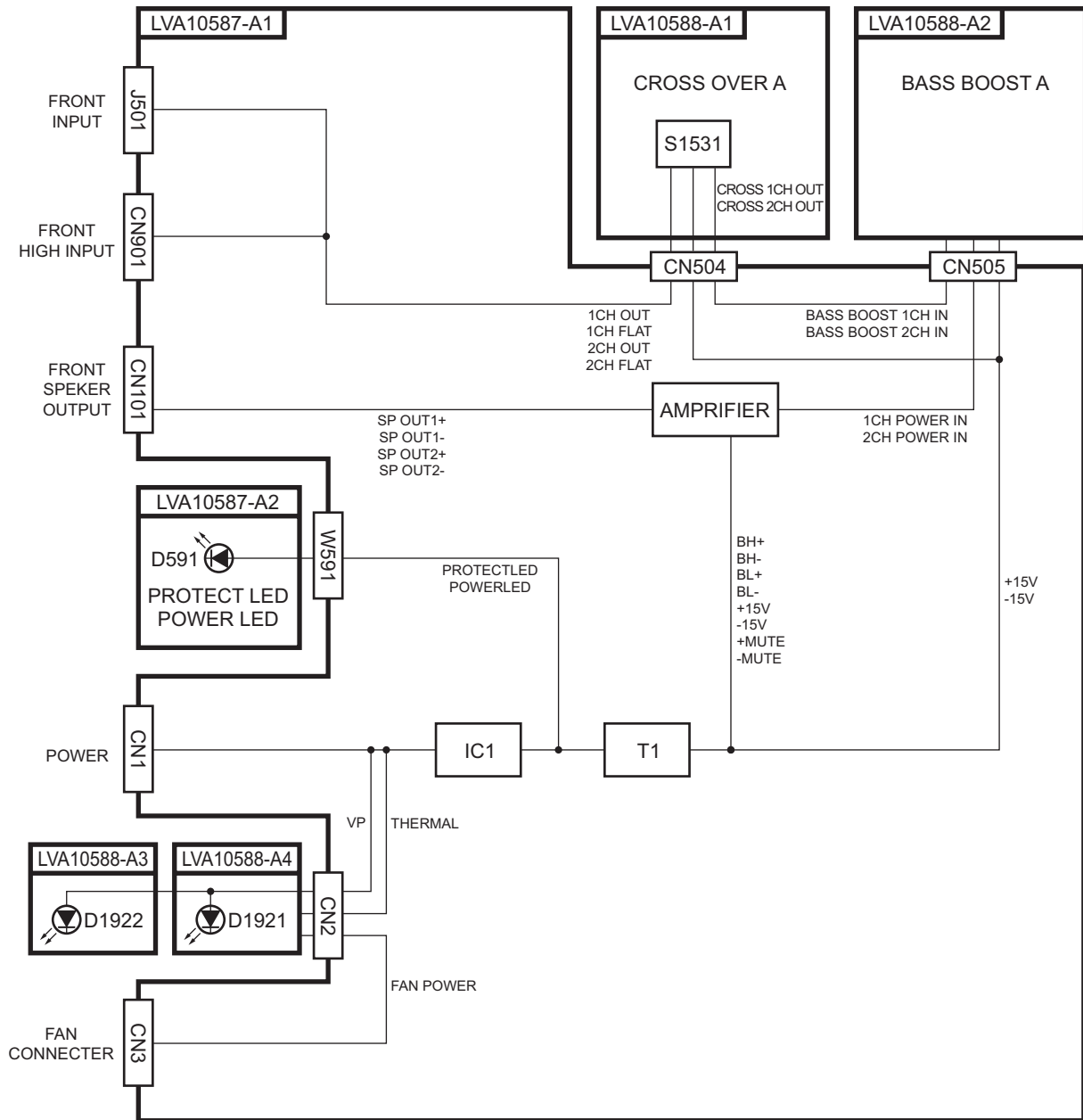
### Contents

Block diagram .....	2-1
Standard schematic diagrams .....	2-2
Printed circuit boards .....	2-8

## Safety precaution

 **CAUTION** Burrs formed during molding may be left over on some parts of the chassis. Therefore, pay attention to such burrs in the case of performing repair of this system.

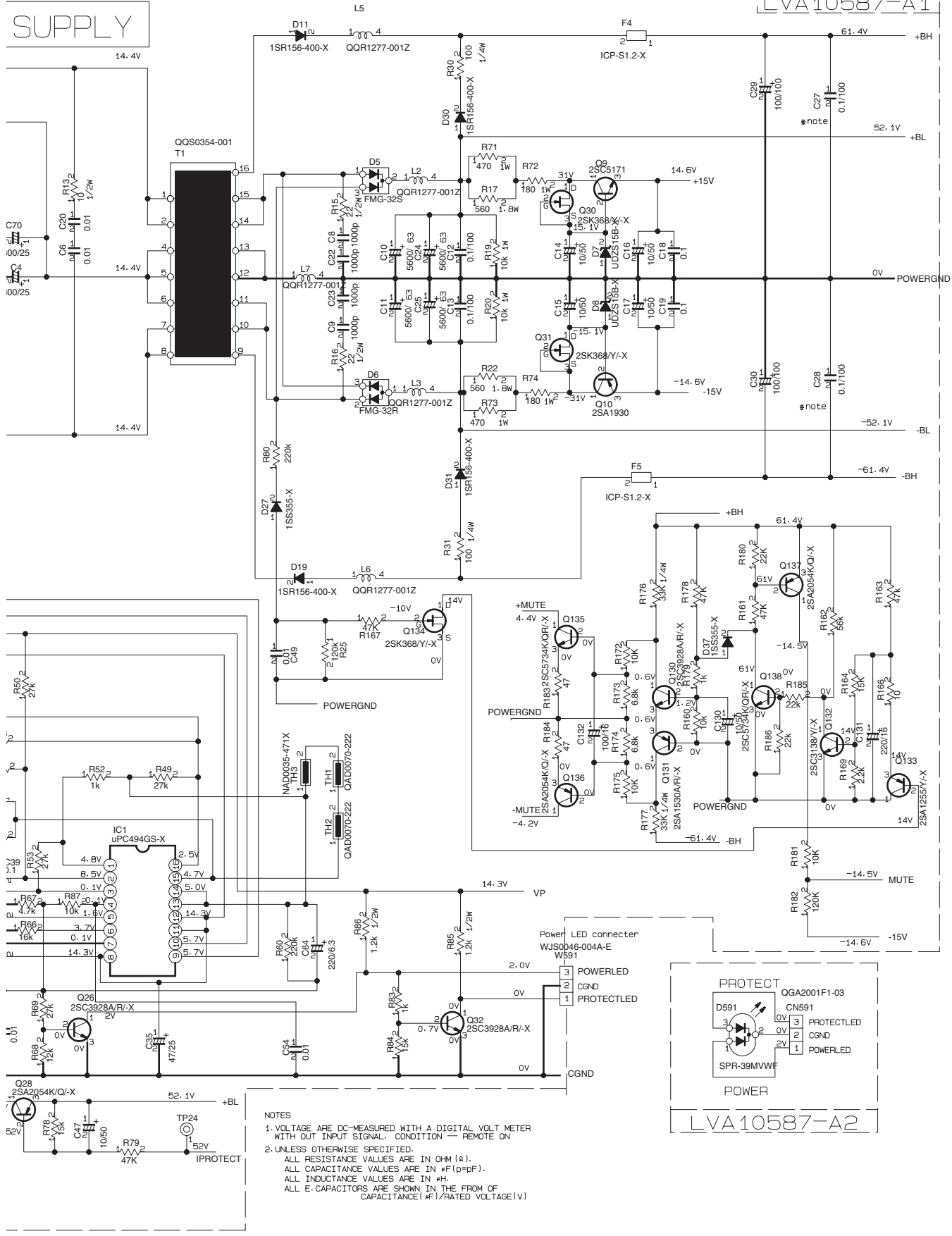
# Block diagram



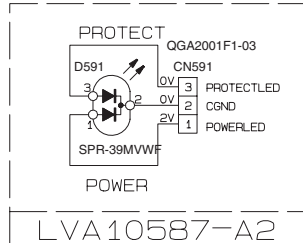


SUPPLY

LVA10587-A1

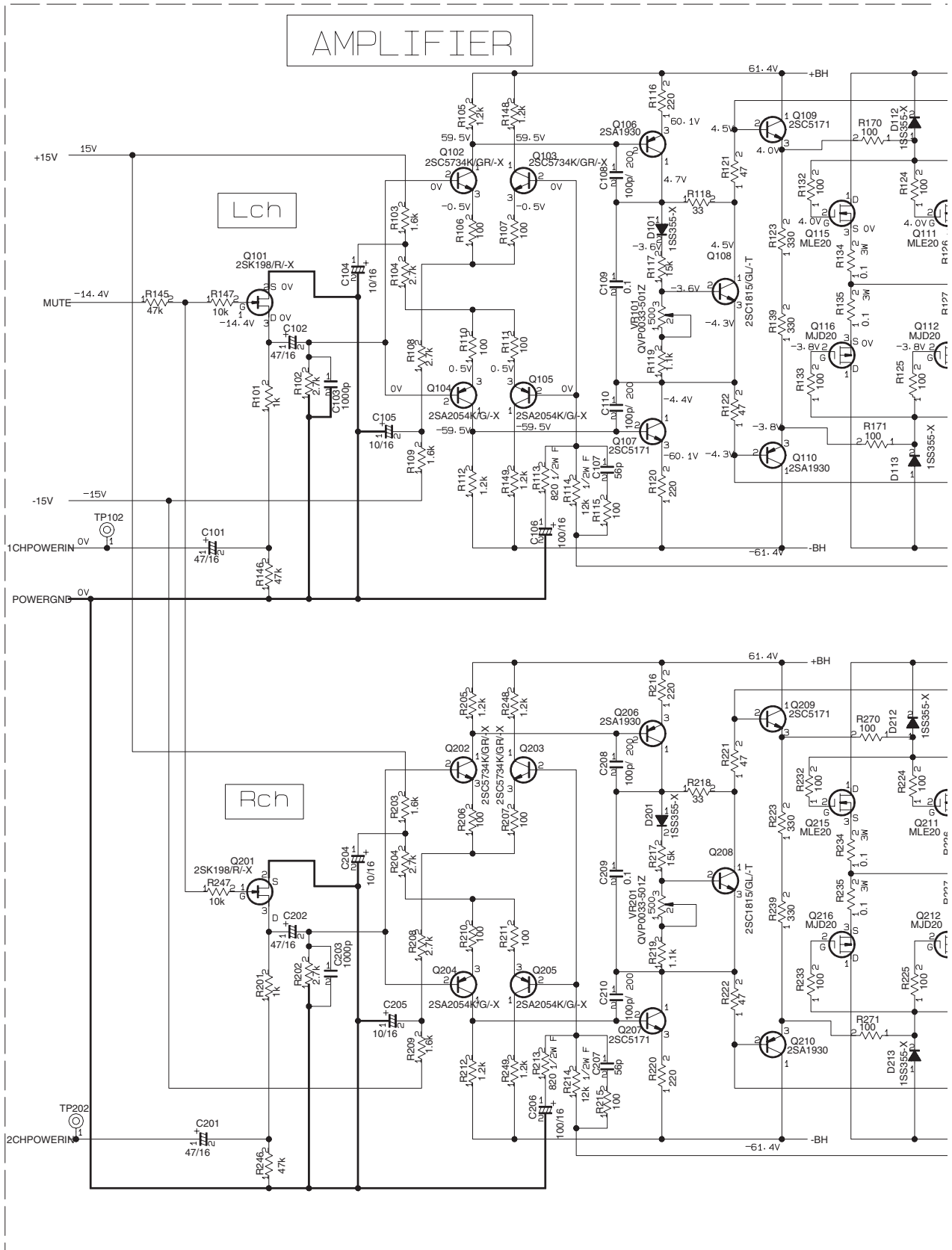


NOTES  
 1. VOLTAGE ARE DC-MEASURED WITH A DIGITAL VOLT METER WITH OUT INPUT SIGNAL. CONDITION --- REMOTE ON  
 2. UNLESS OTHERWISE SPECIFIED,  
 ALL RESISTANCE VALUES ARE IN OHM (Ω).  
 ALL CAPACITANCE VALUES ARE IN #F(p=pF).  
 ALL INDUCTANCE VALUES ARE IN #H.  
 ALL E-CAPACITORS ARE SHOWN IN THE FROM OF CAPACITANCE (#F)/RATED VOLTAGE(V)

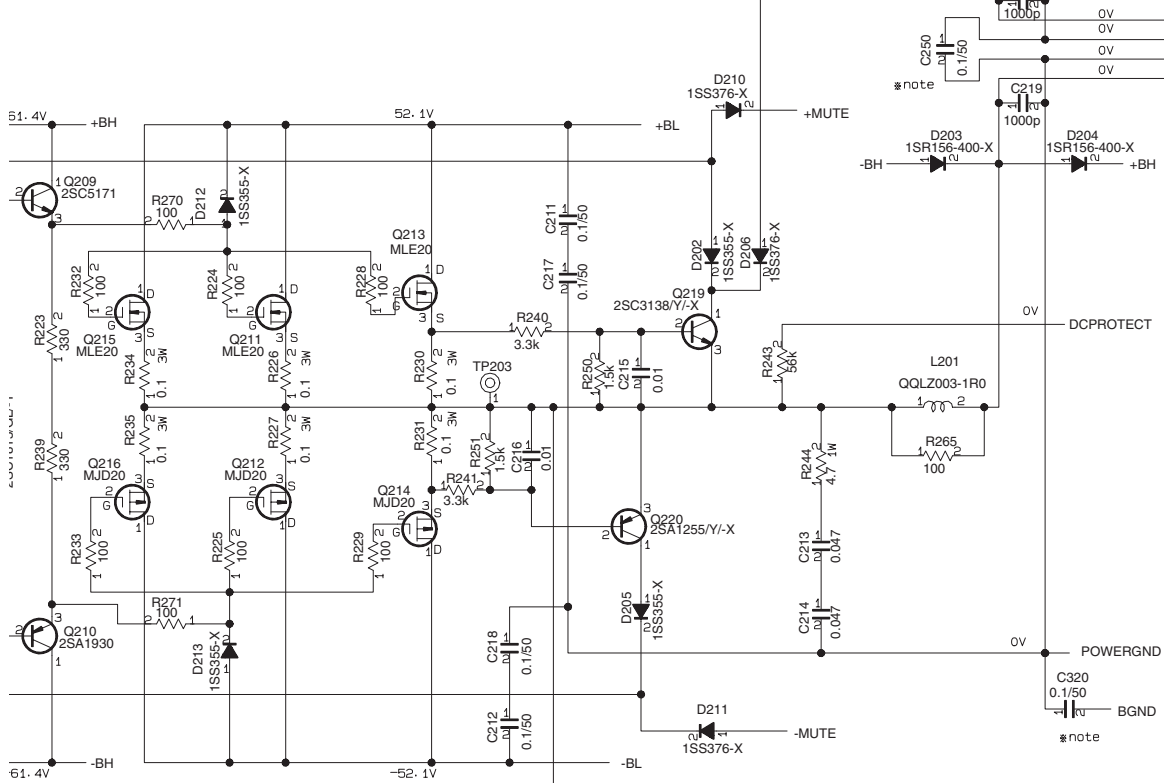
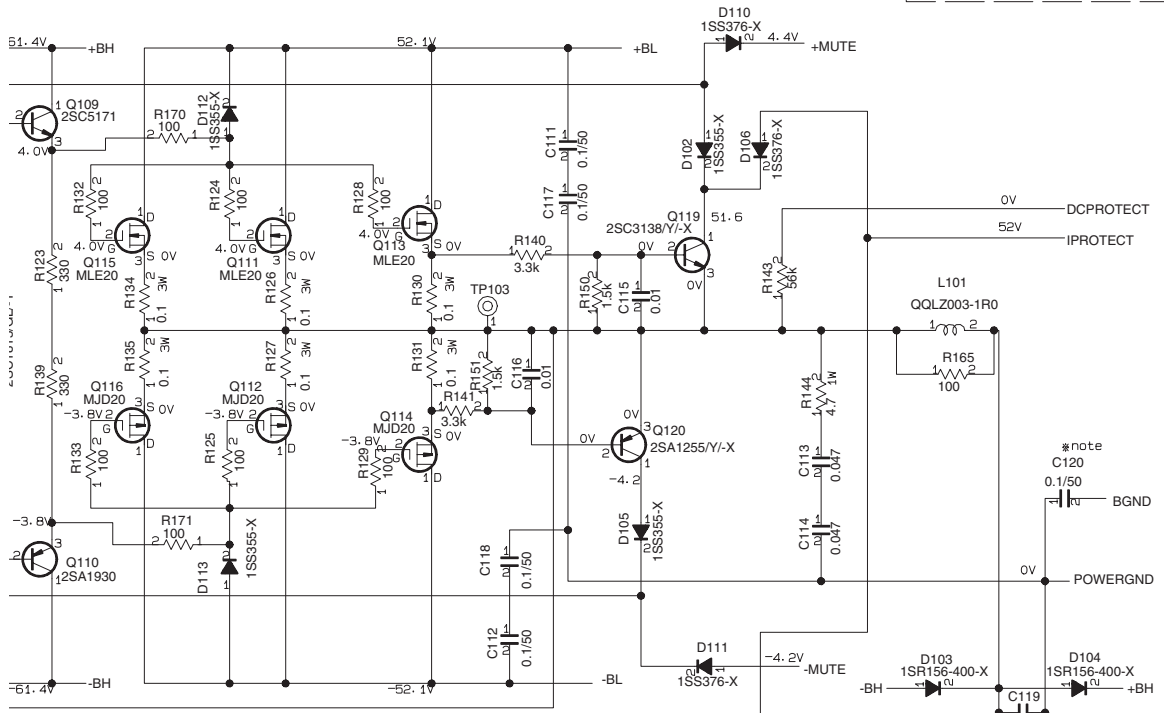


LVA10587-A2

# Amplifier section



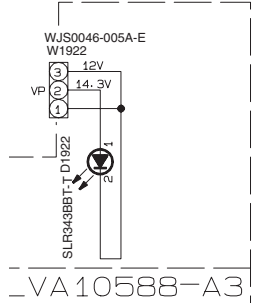
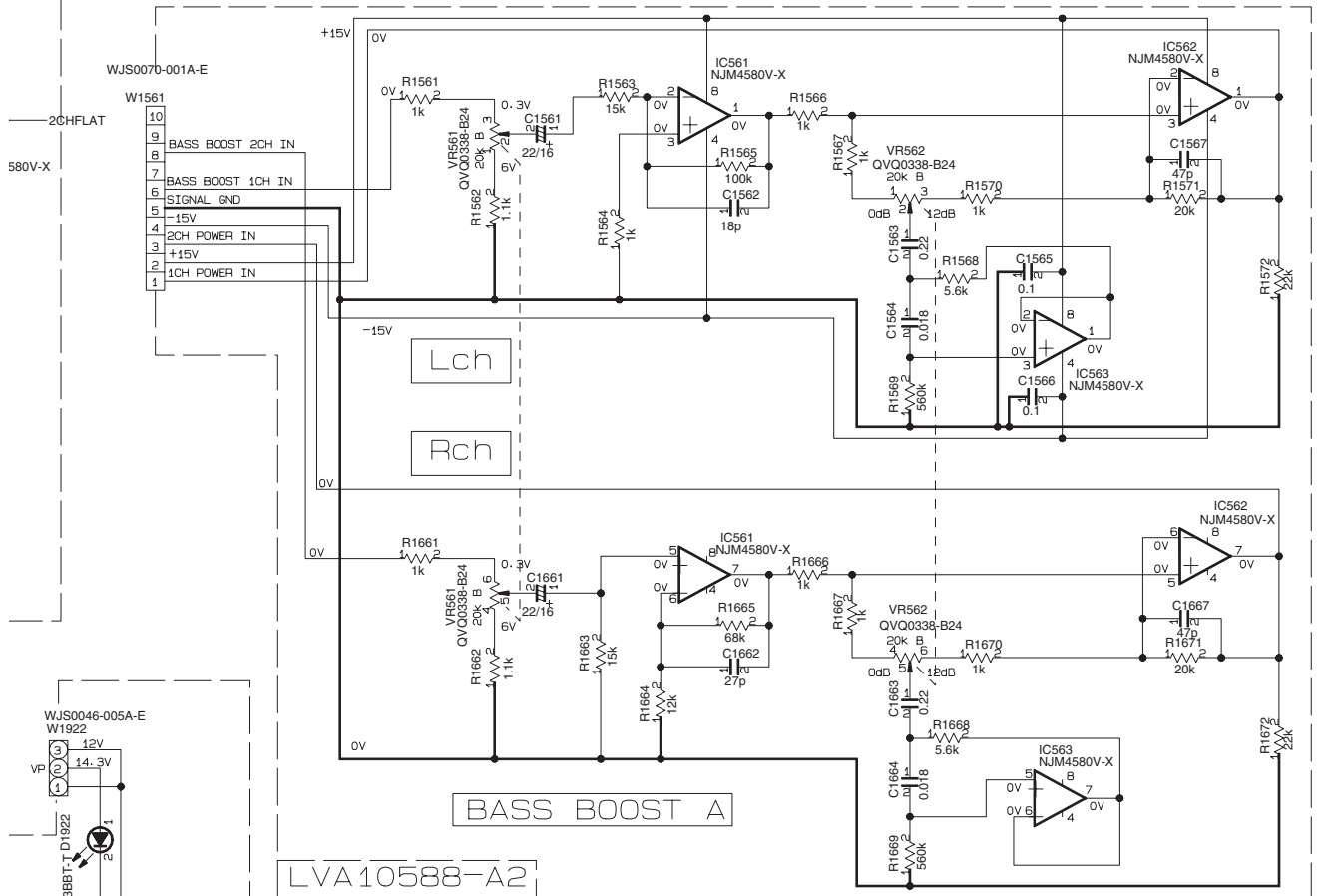
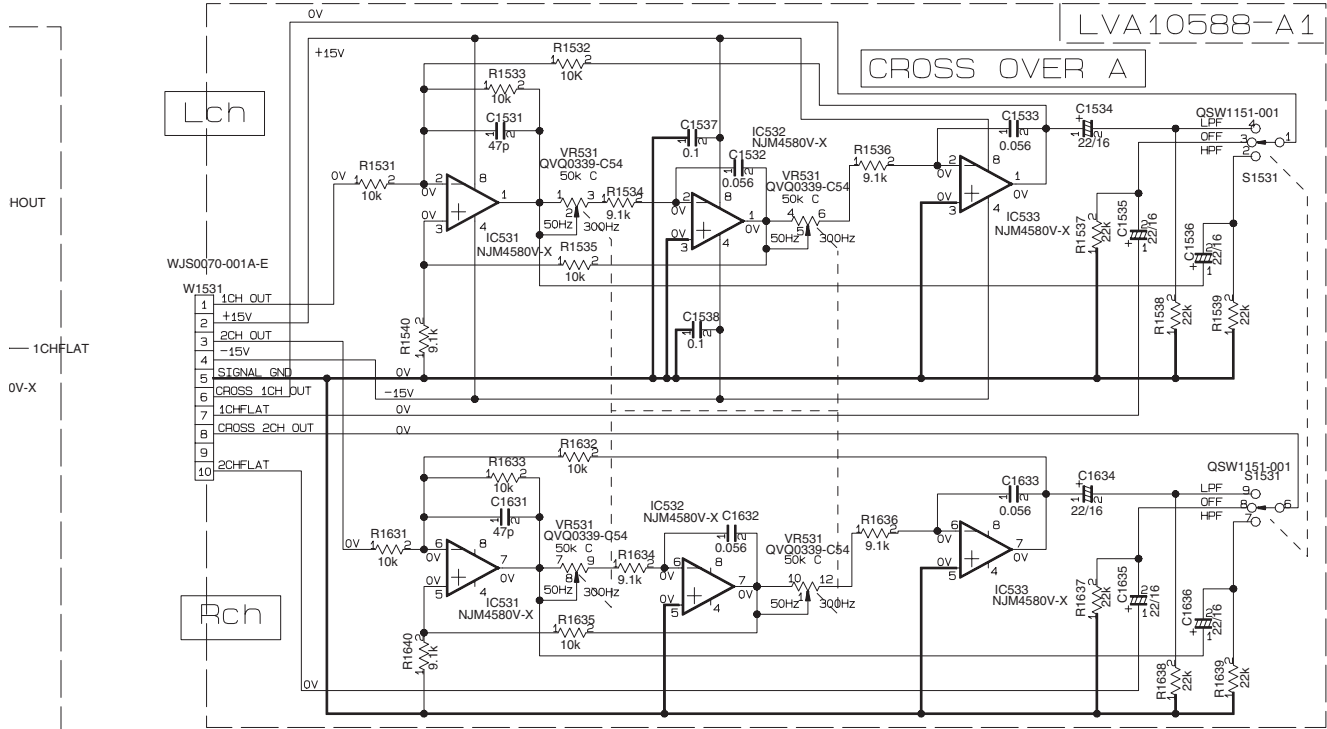
LVA10587-A1



- QNB0278-001
- |       |   |          |
|-------|---|----------|
| CN101 | 1 | SP OUT1+ |
|       | 2 | SP OUT1- |
|       | 3 | SPOUT2+  |
|       | 4 | SPOUT2-  |

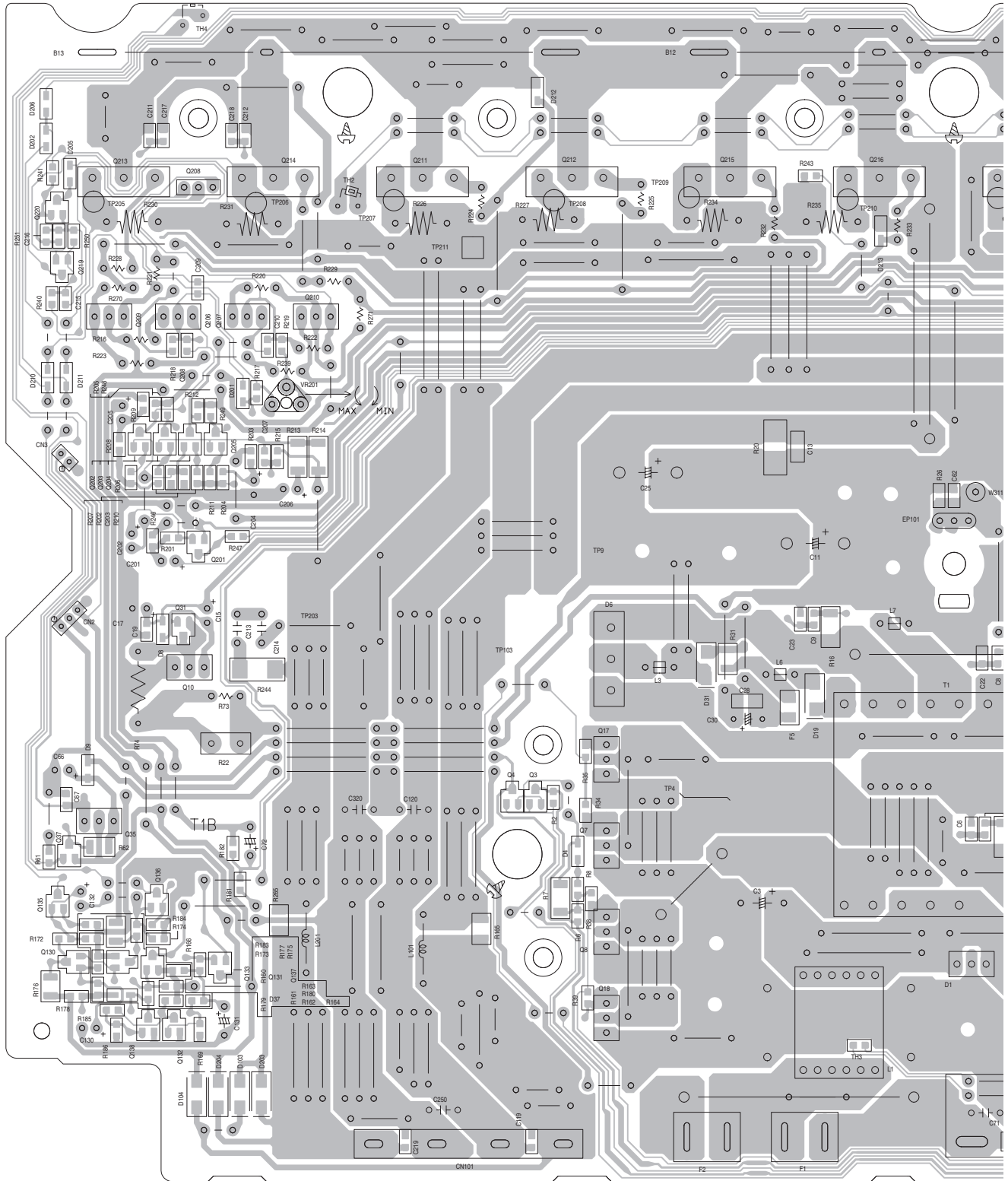


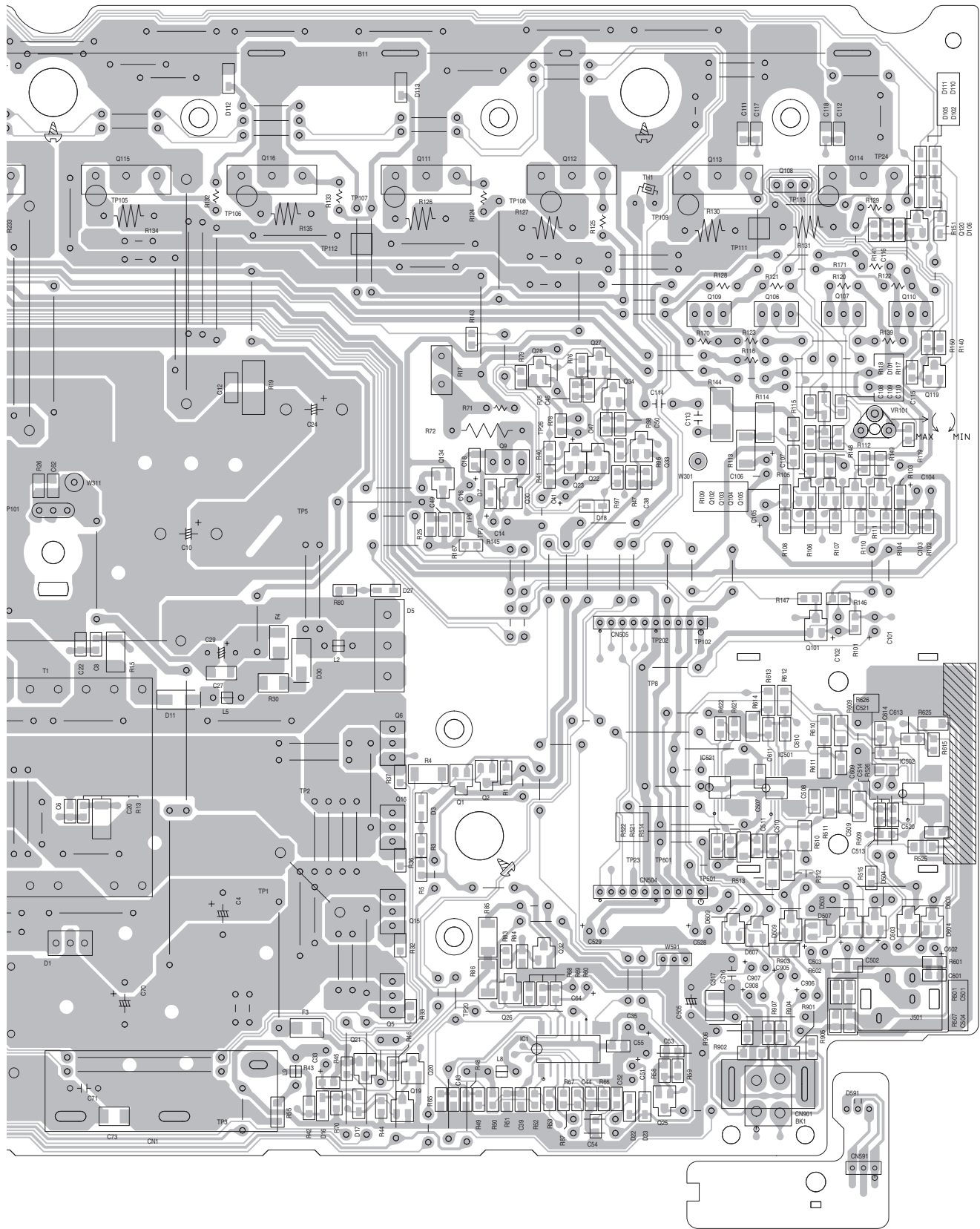




# Printed circuit boards

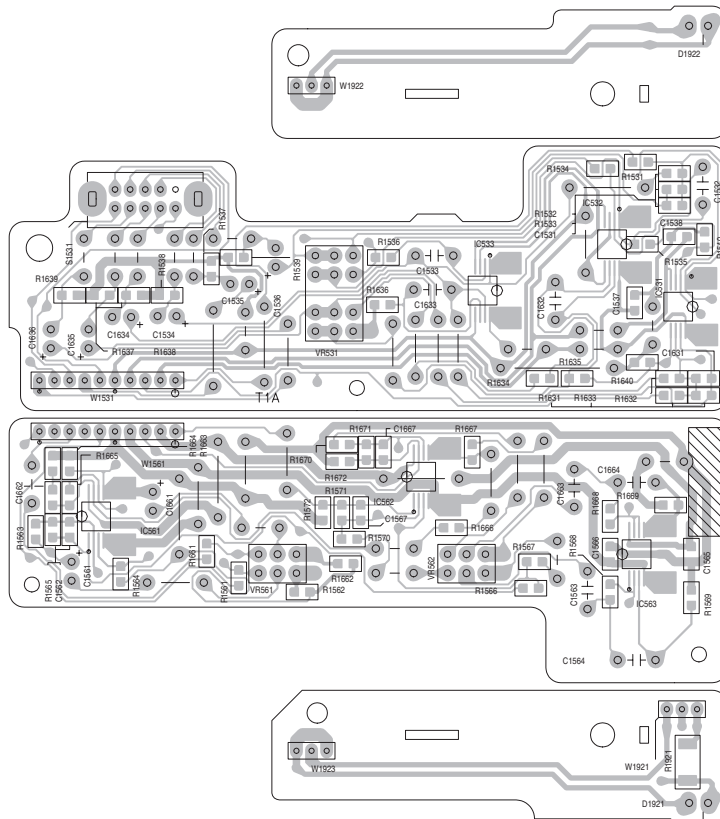
■ Main board Lead free solder used in the board (material : Sn-Ag-Cu, melting point : 219 Centigrade)





## ■ Cross over & Bass boost board

Lead free solder used in the board (material : Sn-Ag-Cu, melting point : 219 Centigrade)



< MEMO >

**JVC**

Victor Company of Japan, Limited

AV & MULTIMEDIA COMPANY CAR ELECTRONICS CATEGORY 10-1,1chome,Ohwatari-machi,Maebashi-city,371-8543,Japan

(No.MA195SCH)



Printed in Japan  
VPT