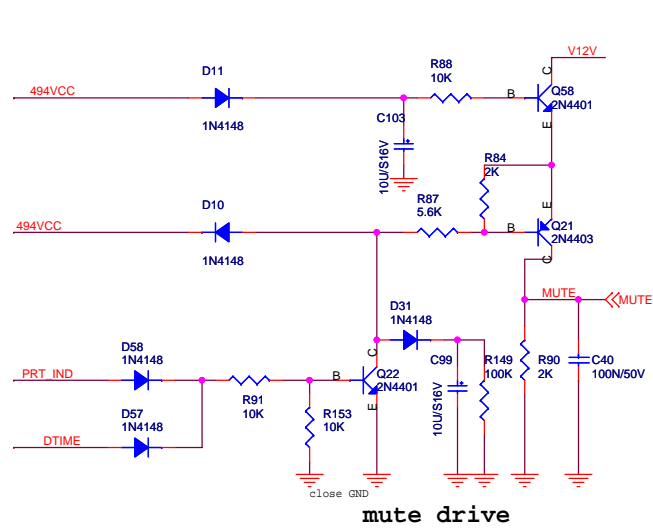
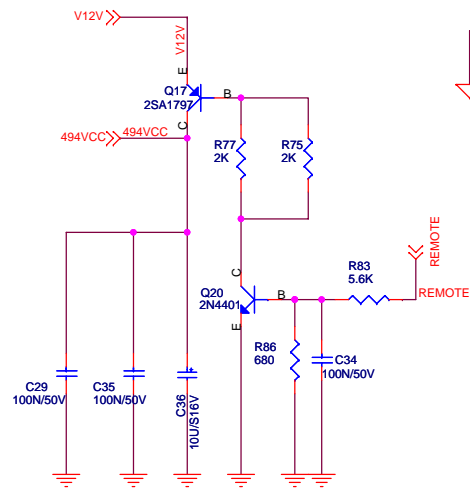


COPYRIGHT 2008 SOUNDMAGUS TECHNOLOGY
 THIS DOCUMENT IS THE PROPERTY OF SOUNDMAGUS TECHNOLOGY. IT EMBODIES CONFIDENTIAL INFORMATION, AND/OR KNOW-HOW, WHICH IS THE PROPERTY OF SOUNDMAGUS TECHNOLOGY. BY ACCEPTING THIS DRAWING THE RECIPIENT AGREES NOT TO PROVIDE OR OTHERWISE MAKE AVAILABLE, THE DOCUMENT INFORMATION OR KNOW-HOW EMBODIED THEREIN, TO ANY THIRD PARTY WITHOUT PRIOR WRITTEN AUTHORIZATION.

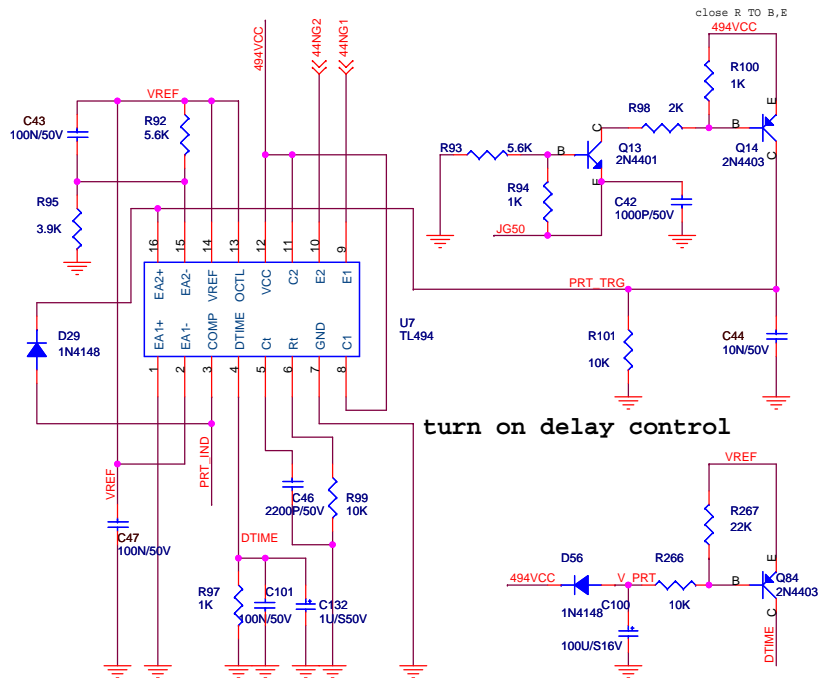
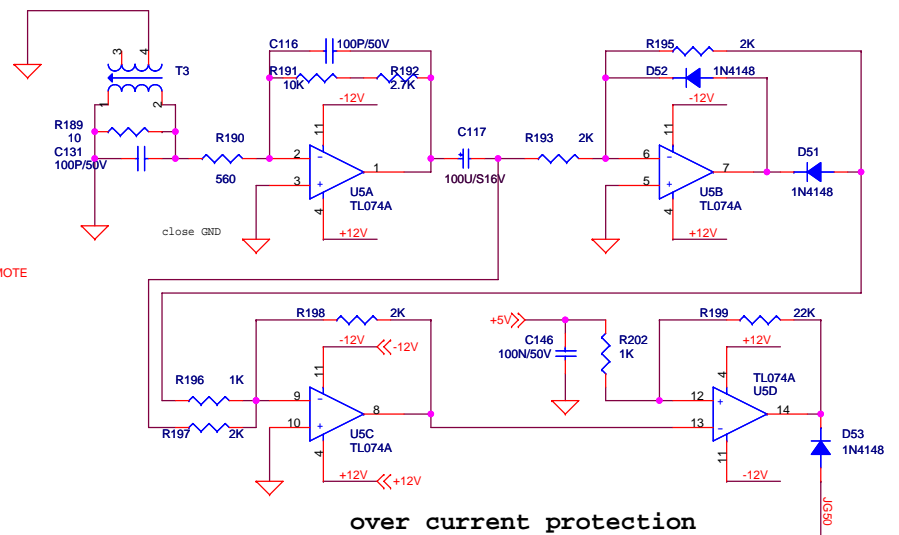
Title		DA3500-RB POWER TRANSFER	
Size	A3	Document Number	DA3500-RB
Date:	Friday, March 11, 2011	Sheet	3 of 4
			Rev B



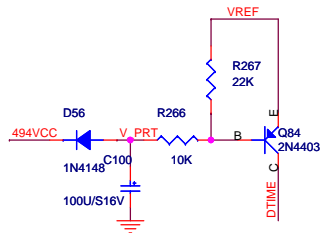
mute drive



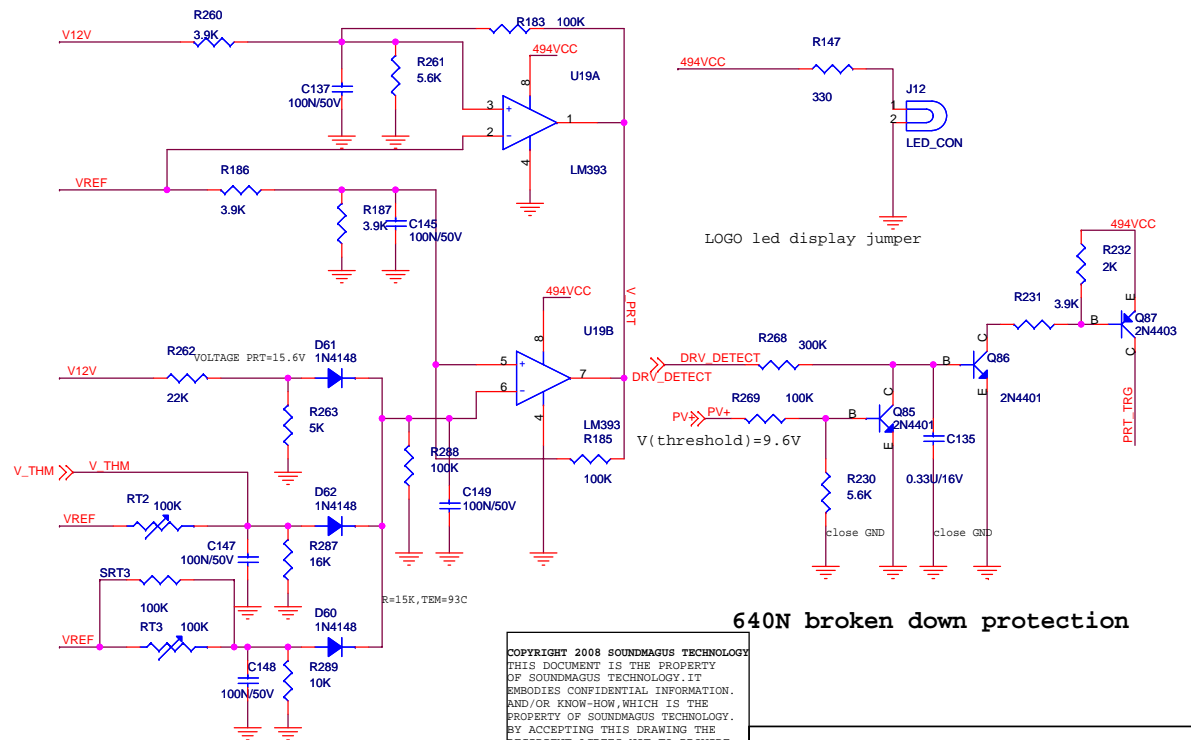
over current protection



turn on delay control



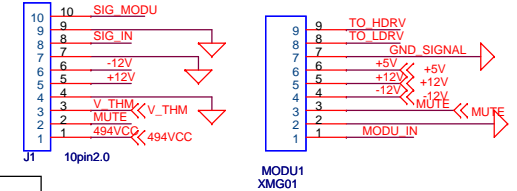
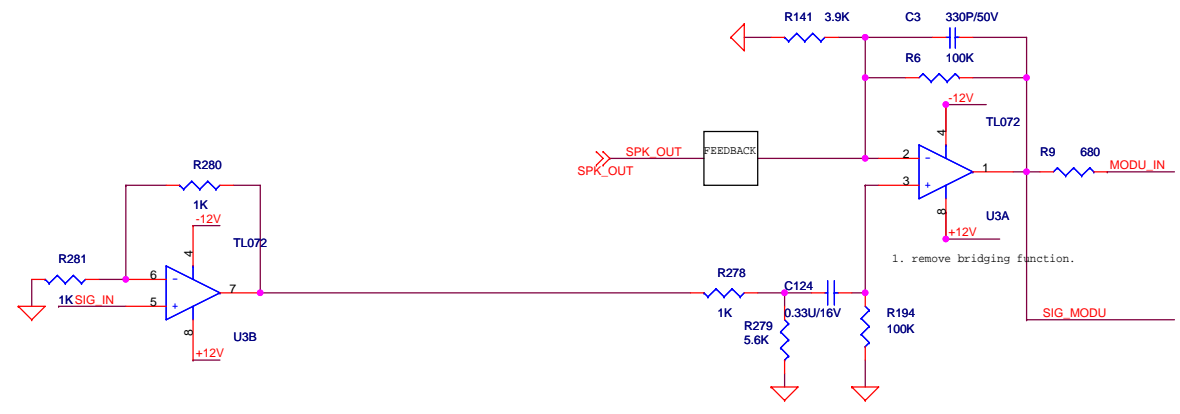
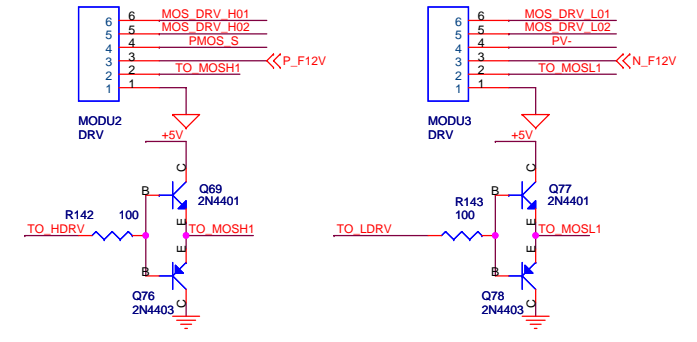
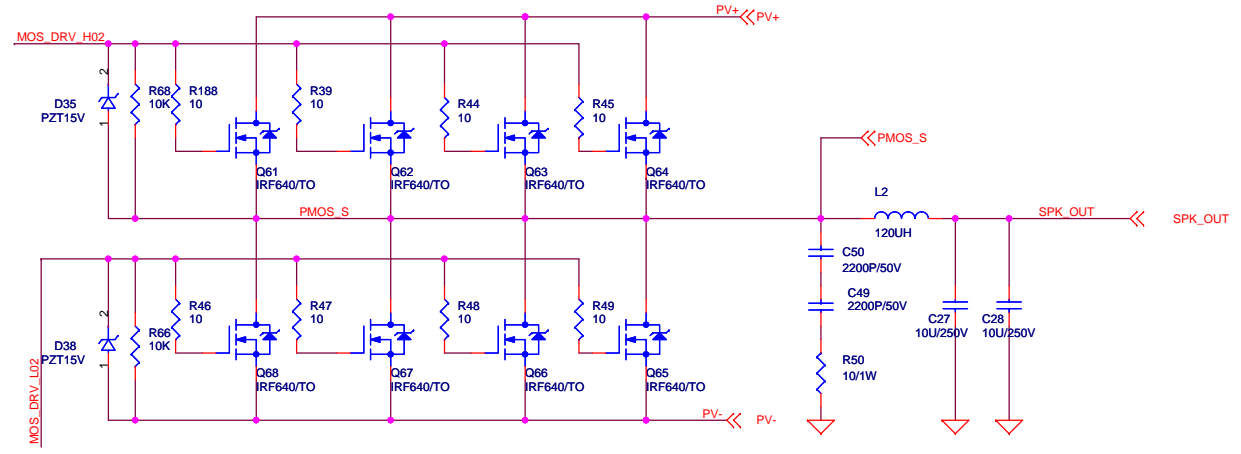
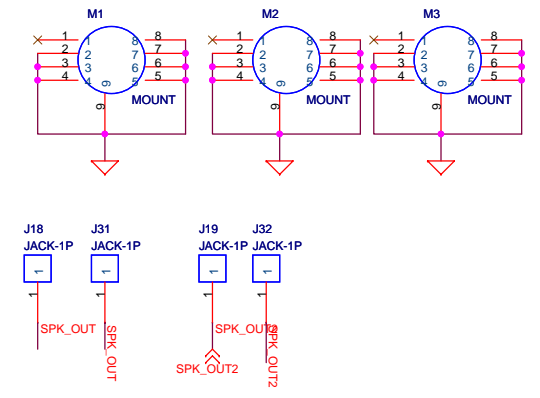
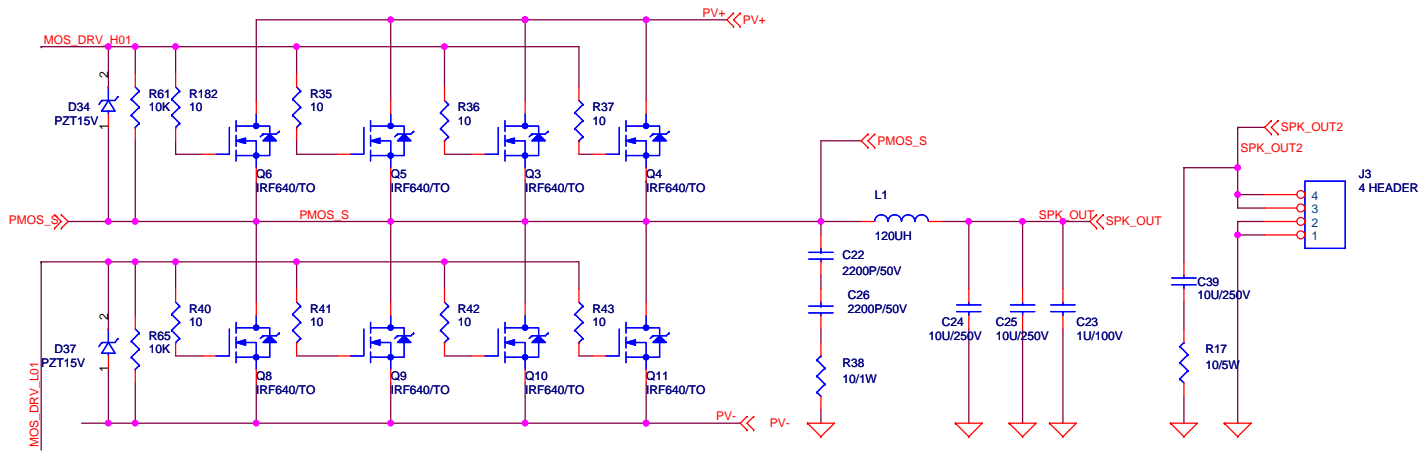
low, over voltage protection, over heat protection



640N broken down protection

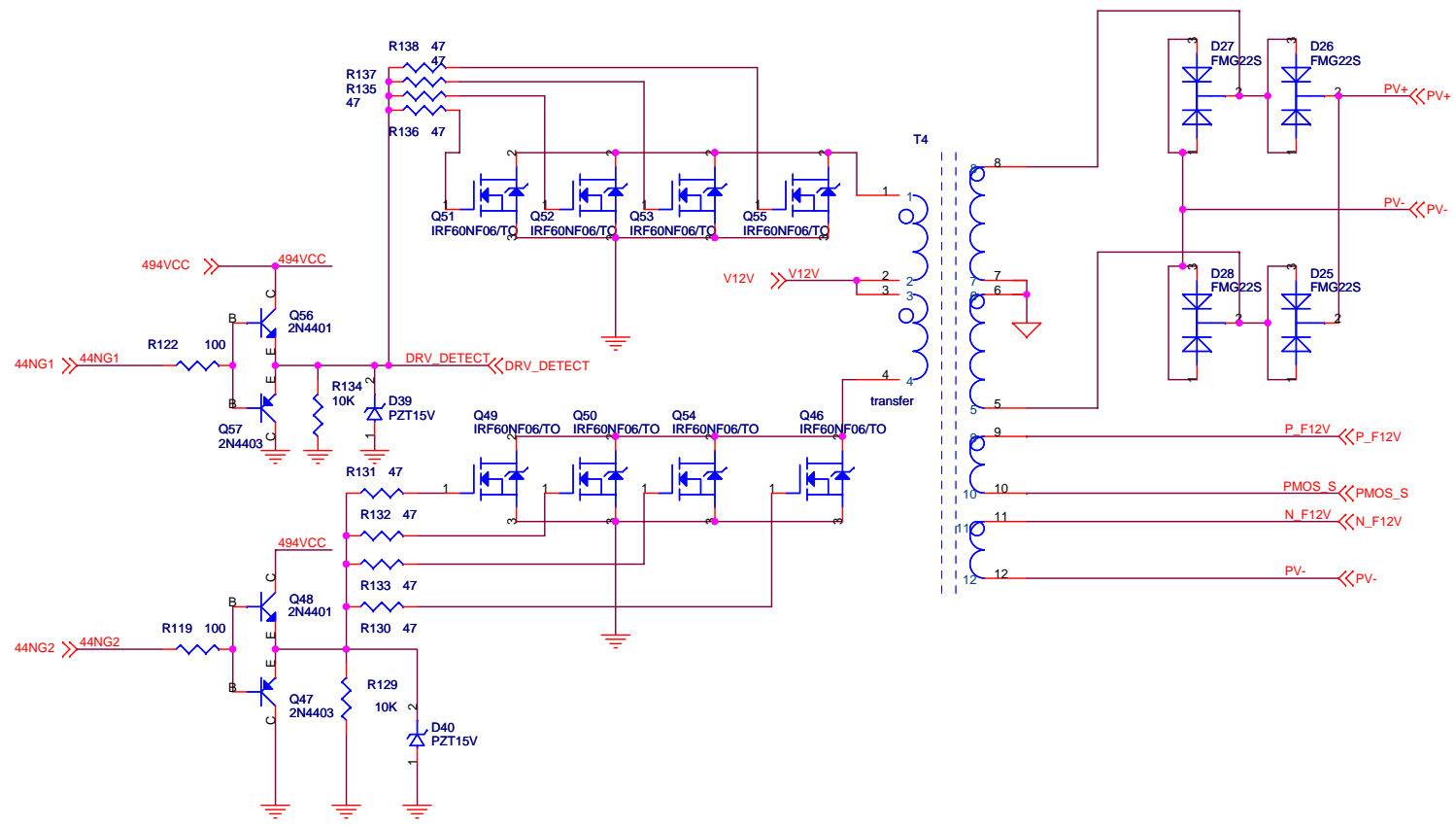
COPYRIGHT 2008 SOUNDMAGUS TECHNOLOGY.
 THIS DOCUMENT IS THE PROPERTY OF SOUNDMAGUS TECHNOLOGY. IT EMBODIES CONFIDENTIAL INFORMATION, AND/OR KNOW-HOW, WHICH IS THE PROPERTY OF SOUNDMAGUS TECHNOLOGY. BY ACCEPTING THIS DRAWING THE RECIPIENT AGREES NOT TO PROVIDE OR OTHERWISE MAKE AVAILABLE, THE DOCUMENT INFORMATION OR KNOW-HOW EMBODIED THEREIN, TO ANY THIRD PARTY WITHOUT PRIOR WRITTEN AUTHORIZATION.

Title		
DA3500-RB POWER CONTROL		
Size	Document Number	Rev
A3	DA3500-RB	B
Date:	Monday, June 22, 2009	Sheet 2 of 4



COPYRIGHT 2008 SOUNDMAGUS TECHNOLOGY.
 THIS DOCUMENT IS THE PROPERTY OF SOUNDMAGUS TECHNOLOGY.IT EMBODIES CONFIDENTIAL INFORMATION. AND/OR KNOW-HOW, WHICH IS THE PROPERTY OF SOUNDMAGUS TECHNOLOGY. BY ACCEPTING THIS DRAWING THE RECIPIENT AGREES NOT TO PROVIDE OR OTHERWISE MAKE AVAILABLE. THE DOCUMENT INFORMATION OR KNOW-HOW EMBODIED THEREIN, TO ANY THIRD PARTY WITHOUT PRIOR WRITTEN AUTHORIZATION.

Title DA3500-RB AMPLIFIER		
Size A3	Document Number DA3500-RB	Rev B
Date: Friday, March 11, 2011	Sheet 1	of 4



COPYRIGHT 2008 SOUNDMAGUS TECHNOLOGY
 THIS DOCUMENT IS THE PROPERTY
 OF SOUNDMAGUS TECHNOLOGY. IT
 EMBODIES CONFIDENTIAL INFORMATION,
 AND/OR KNOW-HOW, WHICH IS THE
 PROPERTY OF SOUNDMAGUS TECHNOLOGY.
 BY ACCEPTING THIS DRAWING THE
 RECIPIENT AGREES NOT TO PROVIDE
 OR OTHERWISE MAKE AVAILABLE
 THE DOCUMENT, INFORMATION OR
 KNOW-HOW EMBODIED THEREIN.
 TO ANY THIRD PARTY WITHOUT
 PRIOR WRITTEN AUTHORIZATION.

Title		
DA3500-RB POWER TRANSFER PART		
Size	Document Number	Rev
B	DA3500-RB	B
Date:	Friday, March 11, 2011	Sheet 4 of 4