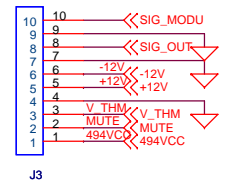
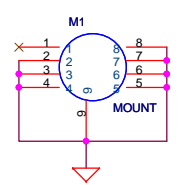
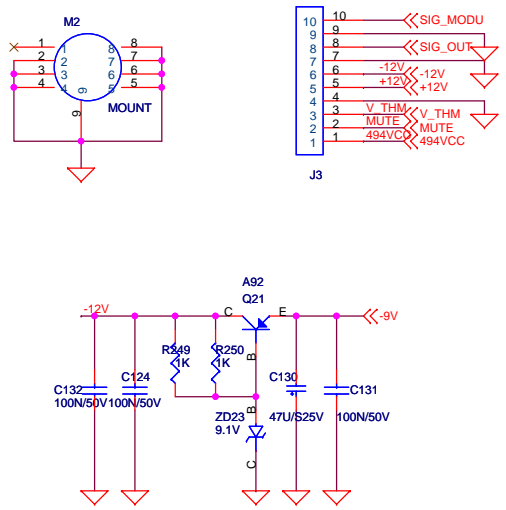
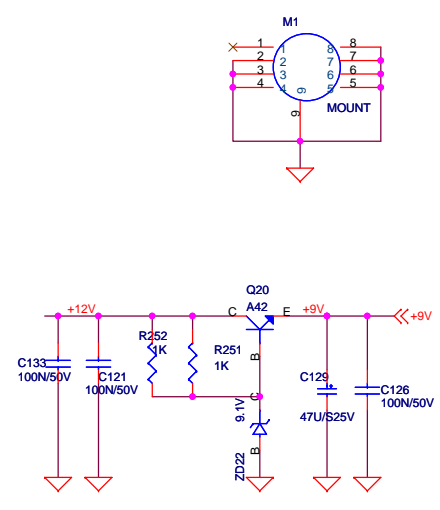
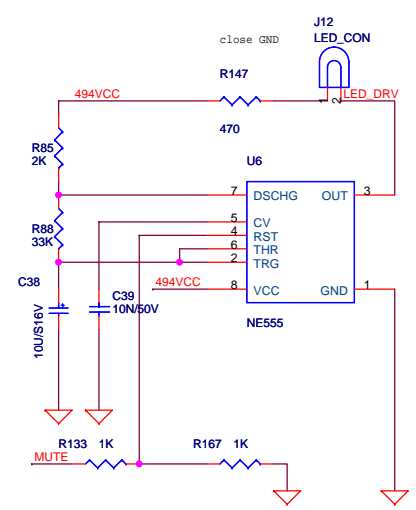
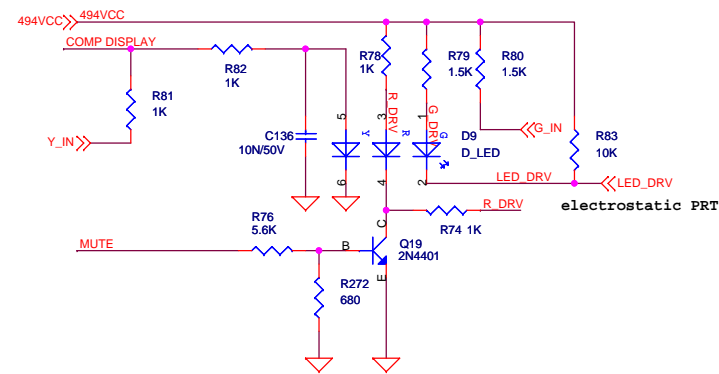
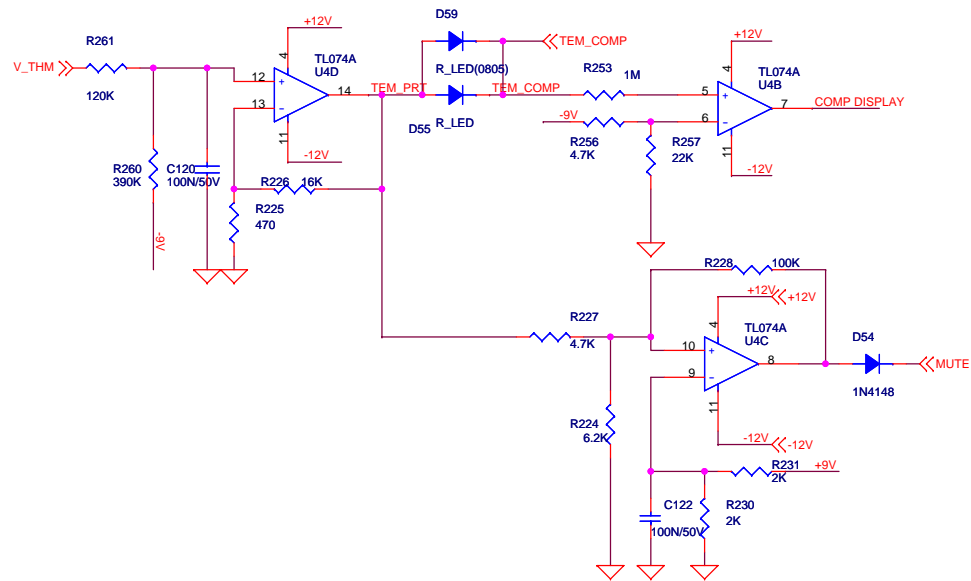


COPYRIGHT 2008 SOUNDMAGUS TECHNOLOGY  
 THIS DOCUMENT IS THE PROPERTY OF SOUNDMAGUS TECHNOLOGY. IT EMBODIES CONFIDENTIAL INFORMATION, AND/OR KNOW-HOW, WHICH IS THE PROPERTY OF SOUNDMAGUS TECHNOLOGY. BY ACCEPTING THIS DRAWING THE RECIPIENT AGREES NOT TO PROVIDE OR OTHERWISE MAKE AVAILABLE THE DOCUMENT, INFORMATION OR KNOW-HOW EMBODIED THEREIN, TO ANY THIRD PARTY WITHOUT PRIOR WRITTEN AUTHORIZATION.

Title			SP101-RB
Size	Document Number		Rev
A3	SP101-RB		B
Date:	Friday, March 18, 2011	Sheet	1 of 2



COPYRIGHT 2008 SOUNDMAGUS TECHNOLOGY.  
 THIS DOCUMENT IS THE PROPERTY  
 OF SOUNDMAGUS TECHNOLOGY.IT  
 EMBODIES CONFIDENTIAL INFORMATION.  
 AND/OR KNOW-HOW, WHICH IS THE  
 PROPERTY OF SOUNDMAGUS TECHNOLOGY.  
 BY ACCEPTING THIS DRAWING THE  
 RECIPIENT AGREES NOT TO PROVIDE  
 OR OTHERWISE MAKE AVAILABLE,  
 THE DOCUMENT INFORMATION OR  
 KNOW-HOW EMBODIED THEREIN,  
 TO ANY THIRD PARTY WITHOUT  
 PRIOR WRITTEN AUTHORIZATION.

Title		SP101-RB
Size	Document Number	Rev
A3	SP101-RB	B
Date:	Friday, March 18, 2011	Sheet 1 of 2