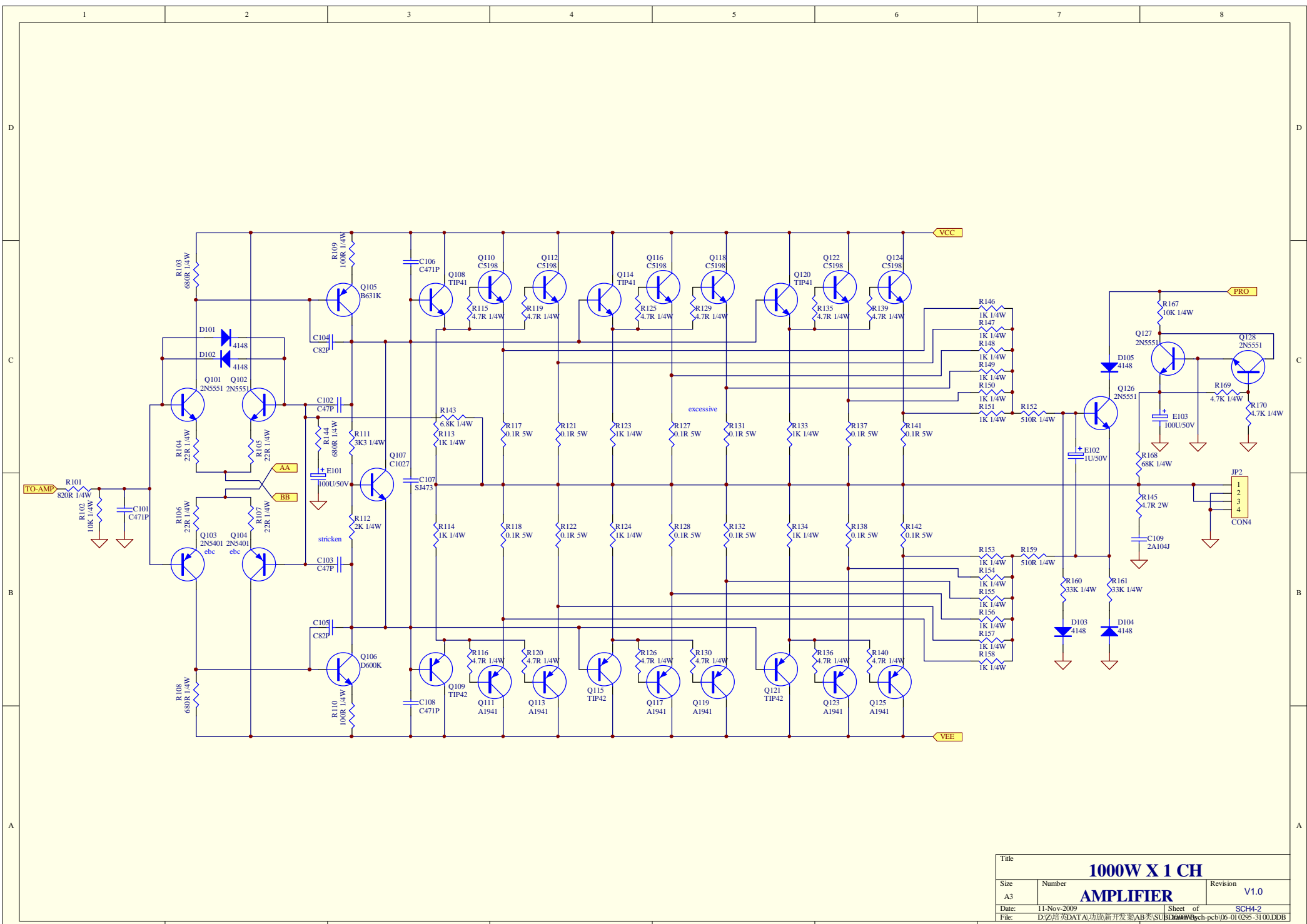
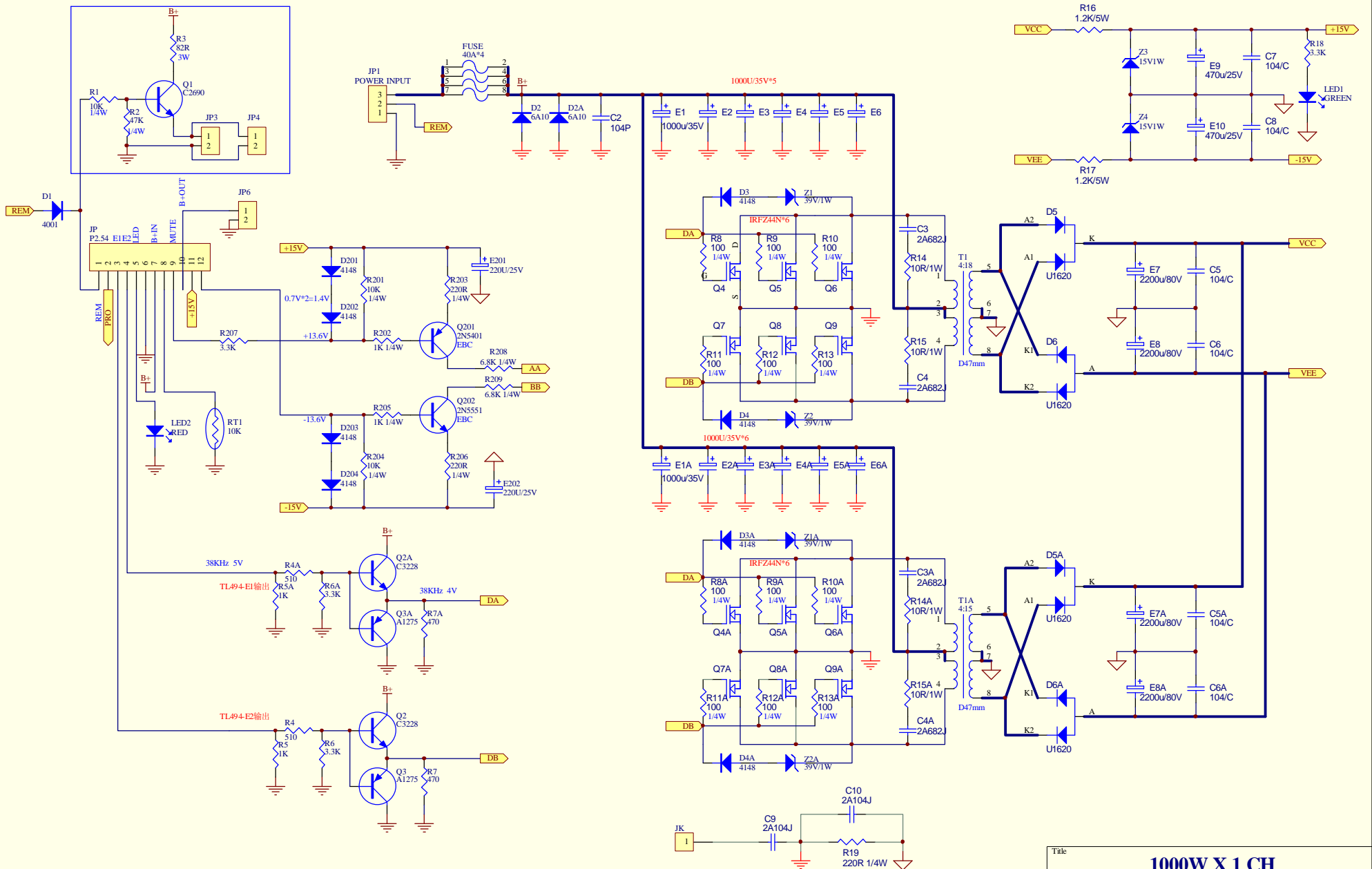


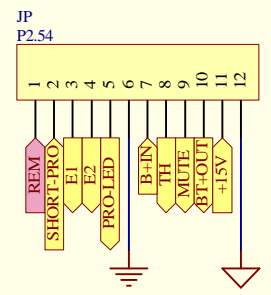
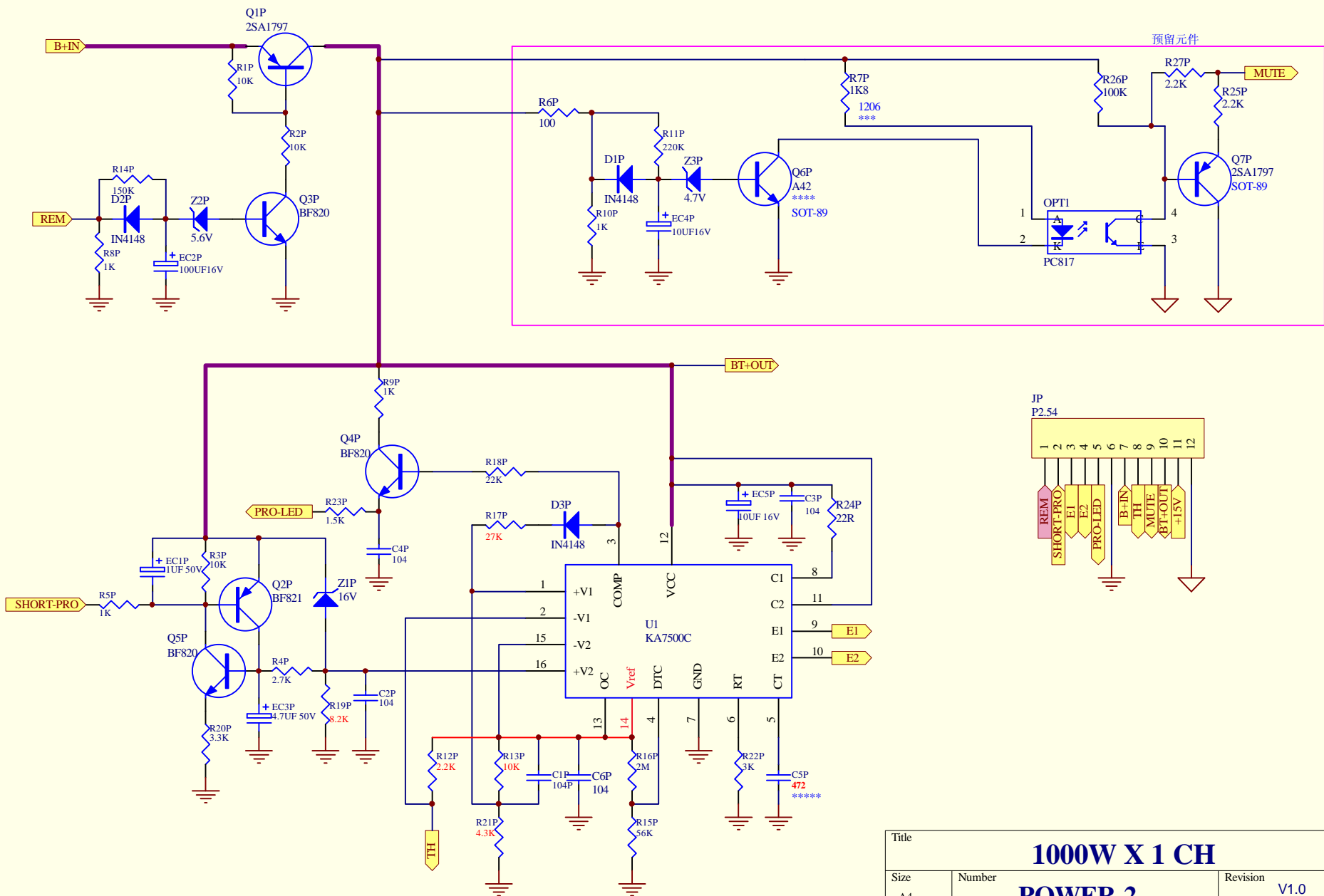
Title			1000W X 1 CH		
Size	Number	Revision			
A4	PRE-			V1.0	
Date:	11-Nov-2009	Sheet of	SCH4-1		
File:	D:\Z培英\DATA\功放\新开发案\AB类\SUB1000W\sch-pcb\06-010295-3100.DDB				



Title		
1000W X 1 CH		
Size	Number	Revision
A3		V1.0
AMPLIFIER		
Date:	11-Nov-2009	Sheet of
File:	D:\必能英DATA\功放项目开发案\AB类SUPL1000WBsch-pcb\06-010295-31 01.DDB	SCH4-2



Title		
1000W X 1 CH		
Size	Number	Revision
A3		V1.0
POWER-1		
Date:	11-Nov-2009	Sheet of SCH4-3
File:	D:\必能英文\A\功放\项目开发案\AB类SU\1000W\ch-pcb\06-01\0295-31\01.DDB	



Title			1000W X 1 CH		
Size	Number	Revision		V1.0	
A4		POWER-2			
Date:	11-Nov-2009	Sheet of	SCH4-4		
File:	D:\培养英DATA\功放\新开案\AB类\SU\1000W\sch-pcb\06-010295-3100.DDB				