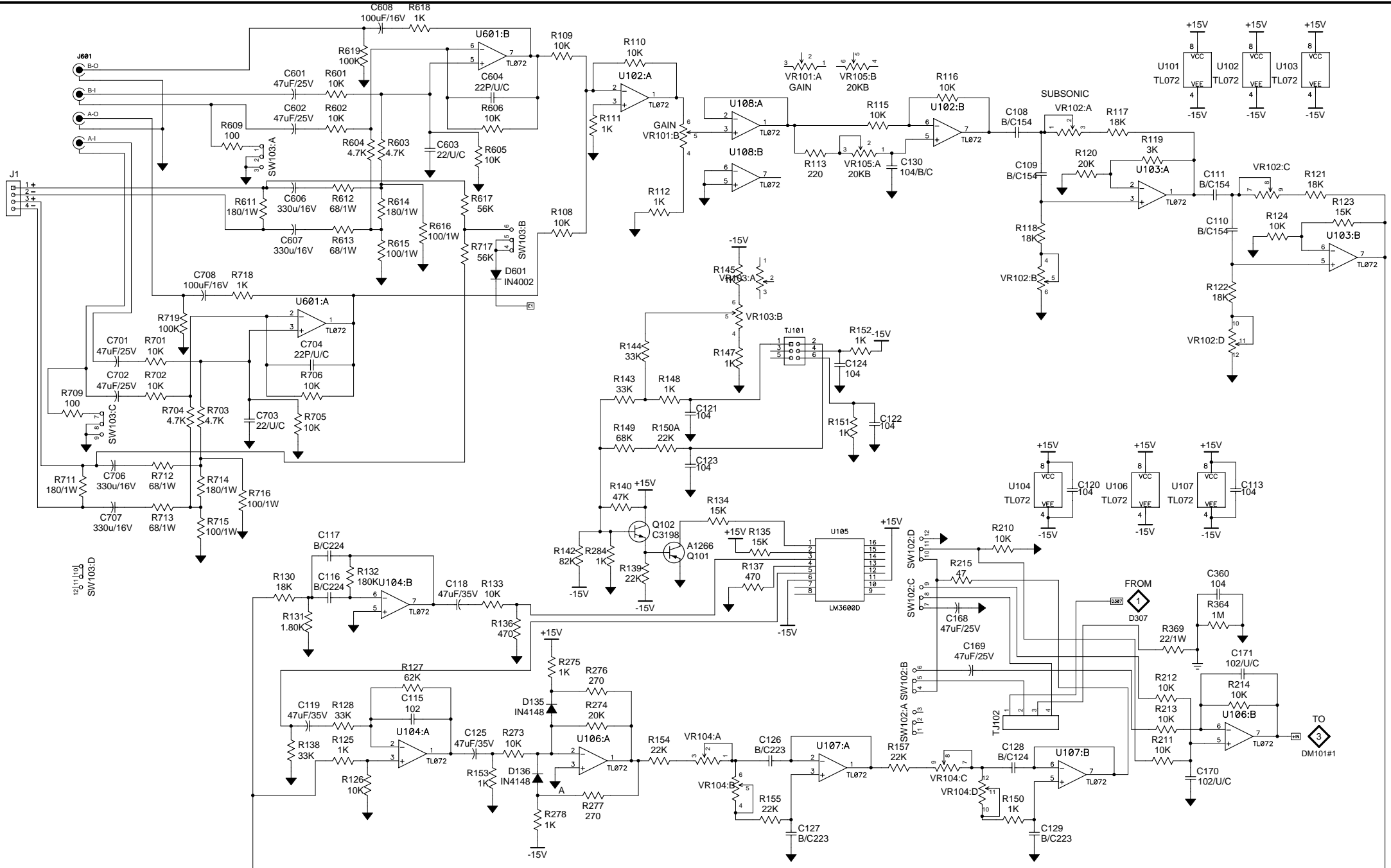


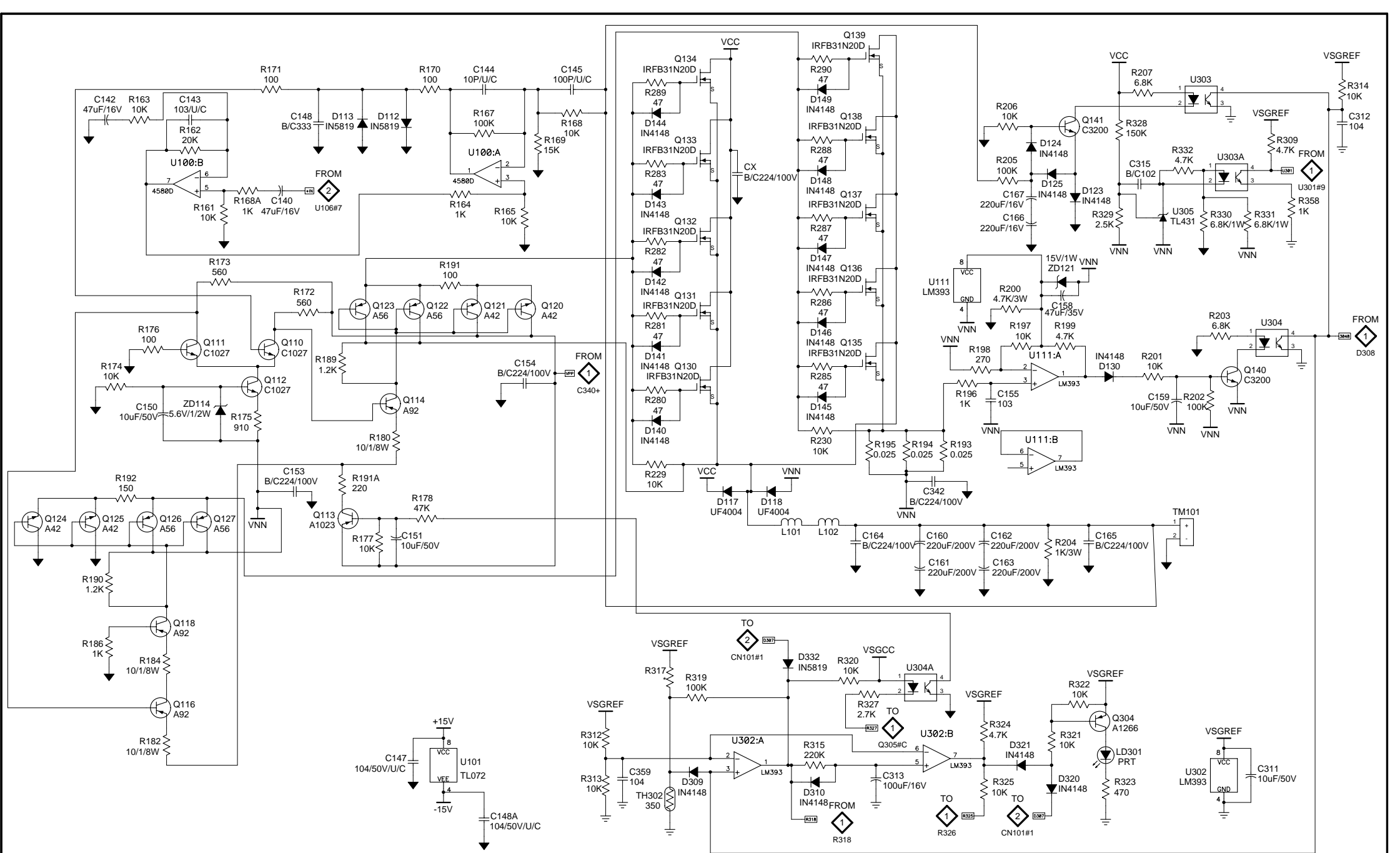
GOOD WILL INSTRUMENT CO., LTD

DRAWN BY	CHECK BY	APPROVED BY	MODEL	00-10128-00
			DESCRIPTION	Sheet1
			DRAWING NO	EASO050.sch
			Sheet 1 of 3	Revision



GOOD WILL INSTRUMENT CO., LTD

DRAWN BY	CHECK BY	APPROVED BY	MODEL	00-10128-00
			DESCRIPTION	Sheet2
			DRAWING NO	EASO050.sch
			Sheet 2 of 3	Revision



GOOD WILL INSTRUMENT CO., LTD

DRAWN BY	CHECK BY	APPROVED BY	MODEL	00-10128-00
			DESCRIPTION	Sheet3
			DRAWING NO	EASO050.sch
				Sheet 3 of 3