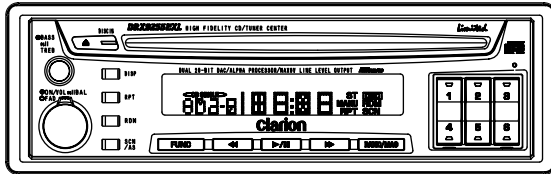


Service Manual



AM/FM Stereo CD Player
 With CD Changer Control

Model **DRX9255EXL**
 (PE-2221K)

SPECIFICATIONS

FM tuner section

Frequency range: 87.9MHz to 107.9MHz
 Usable sensitivity: 9dBf
 50dB quieting sensitivity:
 15dBf
 Alternate channel selectivity:
 75dB
 Stereo separation: 35dB(1kHz)
 Frequency response: 30Hz to 15kHz(± 3dB)

AM tuner section

Frequency range: 530kHz to 1710kHz
 Usable sensitivity: 20 μV

CD player section

System: Compact disc audio system
 Usable discs: Compact disc
 Frequency response: 5Hz to 20kHz(± 1dB)
 Signal to noise ratio: 110dB(1kHz) IHF-A
 Dynamic range: 100dB(1kHz)

Audio section

Bass control action: ± 12dB(50Hz)
 Treble control action: ± 12dB(10kHz)
 Line output: 4V(CD)

General

Power supply voltage: DC14.4V(10.8V to 15.6V)
 Negative ground
 Current consumption: Less than 3A
 Dimensions(mm): Source unit
 178(W) × 50(H) × 153(D)
 DC/DC converter
 156(W) × 28(H) × 71(D)

Weight:

Source unit
 1.8kg
 DC/DC converter
 0.3kg

Specifications and design are subject to change without notice for further improvement.

COMPONENTS

PE-2221K-A

Main unit	- - - - -	1
DC/DC converter	- - - - -	1
Mounting bracket(strap)	300-4976-00	1
Mounting bracket(universal)	300-9035-01	1
Extension lead	854-4121-00	1
Parts bag	- - - - -	
Hook plate	330-8216-03	2
Clip	335-3744-00	1
Tap screw(5 × 16)	700-5016-80	2
Screw(M5 × 8)	716-0496-01	1
Plate nut	725-0216-00	2
Parts bag	- - - - -	
Escutcheon	370-5115-00	1

NOTE

We cannot supply PWB with component parts in principle. When a circuit on PWB has failure, please repair it by component parts base. Parts which are not mentioned in service manual are not supplied.

To engineers in charge of repair or inspection of our products.

Before repair or inspection, make sure to follow the instructions so that customers and Engineers in charge of repair or inspection can avoid suffering any risk or injury.

1. Use specified parts.
The system uses parts with special safety features against fire and voltage. Use only parts with equivalent characteristics when replacing them.
The use of unspecified parts shall be regarded as remodeling for which we shall not be liable. The onus of product liability (PL) shall not be our responsibility in cases where an accident or failure is as a result of unspecified parts being used.
2. Place the parts and wiring back in their original positions after replacement or re-wiring.
For proper circuit construction, use of insulation tubes, bonding, gaps to PWB, etc, is involved. The wiring connection and routing to the PWB are specially planned using clamps to keep away from heated and high voltage parts. Ensure that they are placed back in their original positions after repair or inspection.
If extended damage is caused due to negligence during repair, the legal responsibility shall be with the repairing company.
3. Check for safety after repair.
Check that the screws, parts and wires are put back securely in their original position after repair. Ensure for safety reasons there is no possibility of secondary problems around the repaired spots.
If extended damage is caused due to negligence of repair, the legal responsibility shall be with the repairing company.
4. Caution in removal and making wiring connection to the parts for the automobile.
Disconnect the battery terminal after turning the ignition key off. If wrong wiring connections are made with the battery connected, a short circuit and/or fire may occur. If extensive damage is caused due to negligence of repair, the legal responsibility shall be with the repairing company.
5. Cautions regarding chips.
Do not reuse removed chips even when no abnormality is observed in their appearance. Always replace them with new ones. (The chip parts include resistors, capacitors, diodes, transistors, etc). The negative pole of tantalum capacitors is highly susceptible to heat, so use special care when replacing them and check the operation afterwards.
6. Cautions in handling flexible PWB
Before working with a soldering iron, make sure that the iron tip temperature is around 270 . Take care not to apply the iron tip repeatedly (more than three times) to the same patterns. Also take care not to apply the tip with force.
7. Turn the unit OFF during disassembly and parts replacement. Recheck all work before you apply power to the unit.
8. Cautions in checking that the optical pickup lights up.
The laser is focused on the disc reflection surface through

the lens of the optical pickup. When checking that the laser optical diode lights up, keep your eyes more than 30cms away from the lens. Prolonged viewing of the laser within 30cms may damage your eyesight.

9. Cautions in handling the optical pickup
The laser diode of the optical pickup can be damaged by electrostatic charge caused by your clothes and body. Make sure to avoid electrostatic charges on your clothes or body, or discharge static electricity before handling the optical pickup.
- 9-1. Laser diode
The laser diode terminals are shorted for transportation in order to prevent electrostatic damage. After replacement, open the shorted circuit. When removing the pickup from the mechanism, short the terminals by soldering them to prevent this damage.
- 9-2. Actuator
The actuator has a powerful magnetic circuit. If a magnetic material is put close to it, its characteristics will change. Ensure that no foreign substances enter through the ventilation slots in the cover.
- 9-3. Cleaning the lens
Dust on the optical lens affects performance. To clean the lens, apply a small amount of isopropylalcohol to lens paper and wipe the lens gently.

CHANGING THE RECEPTION AREA

Area change

When you listen to the radio outside the U.S., use this function.

Switchable frequency setting

This car stereo is initially set to tune in frequency intervals of 10kHz for AM and 200kHz for FM, the standard calibrations in the U.S. When using the unit outside the U.S., use the following procedure to switch the frequency range.

The table below lists the frequency specifications for the U.S. and other countries.

		Initial setting (U.S. standard)	New setting (outside U.S.)
AM	Frequency spacing	10kHz	9kHz
	Frequency range	530 to 1710kHz	531 to 1629kHz
FM	Frequency spacing	200kHz	50kHz
	Frequency range	87.9 to 107.9MHz	87.5 to 108MHz

Changing area

Outside U.S. (New setting)

While pressing and holding the BAND button, press the Down button (double press).

The initial setting changes to the new setting (outside U.S.).

Inside U.S. standard (Initial setting)

While pressing and holding the BAND button, press the Up button (double press).

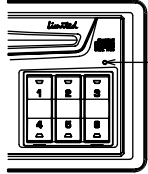
The new setting (outside U.S.) returns to the initial setting (inside U.S.).

CAUTIONS

Use of controls, adjustments, or performance of procedures other than those specified herein, may result in hazardous radiation exposure.

The compact disc player should not be adjusted or repaired by anyone except properly qualified service personnel.

TROUBLESHOOTING

Symptom	Case	Measure
Nothing happens when buttons are pressed. Display is not accurate.	Microprocessor has malfunctioned due to noise, etc.	Press the reset button for about 2 seconds with a thin rod.  A line points from the text 'RESET BUTTON' to a small rectangular button on the control panel.

ERROR DISPLAYS

If an error occurs, the type of error is displayed. Take the measures described below to eliminate the problem.

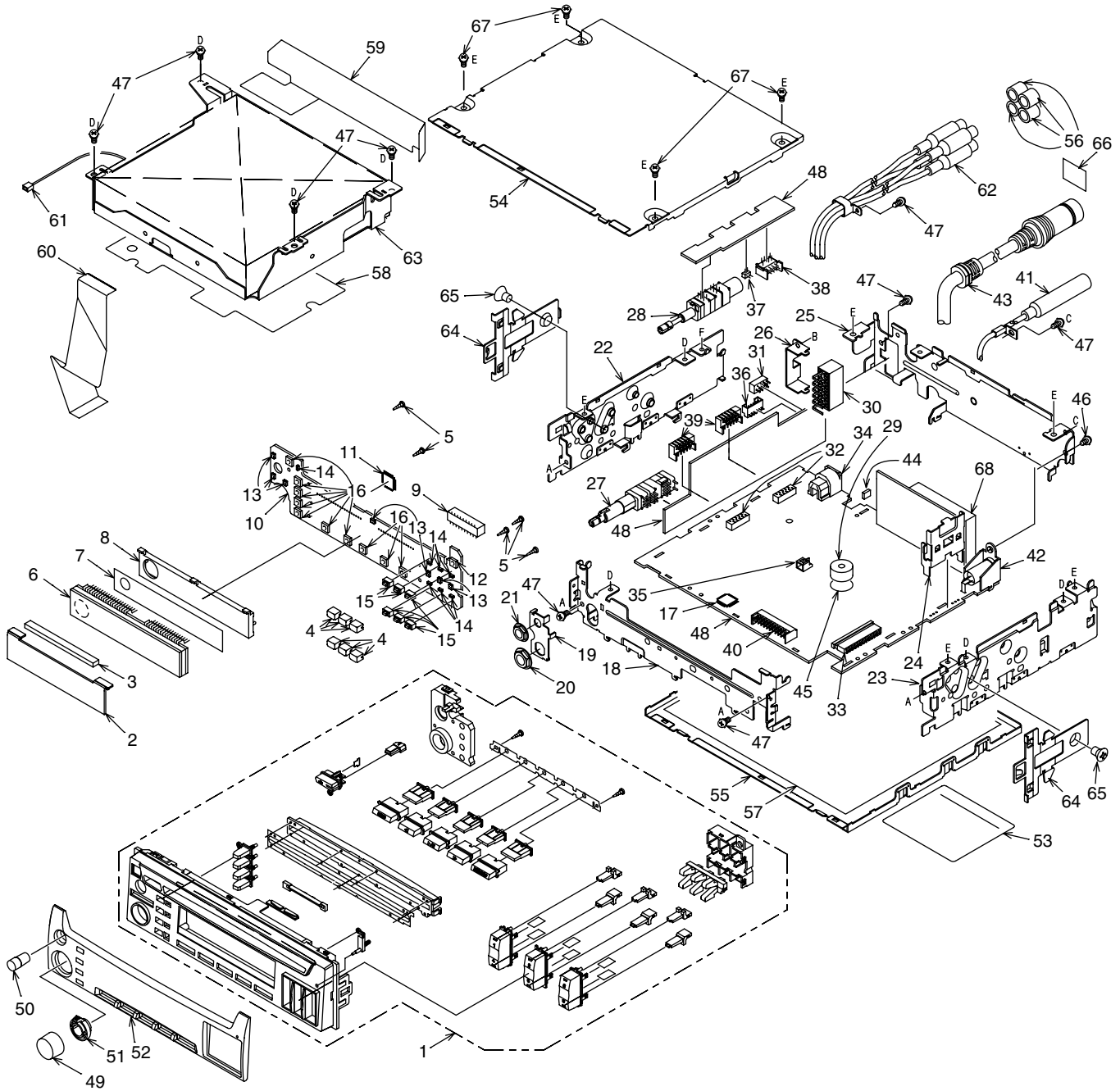
Error display	Cause	Measure
Err 1	Displayed when the battery of the CD changer has run down.	Replace the battery of the CD changer with a new one.
Err 2	Displayed when the CD is stuck and cannot be ejected.	Mechanism of CD changer or the source unit could be damaged.
Err 3	Displayed when the CD is scratched, etc. and cannot be played.	Replaced the CD in the source unit or the CD changer with an unscratched and unwarped one.
Err 6	Displayed when the CD is inserted upsidedown into the CD changer and cannot be played.	Reload the CD properly.

ADJUSTMENTS

Item	Procedure	Measuring instrument
FM noise convergence	1. Input the 98.1MHz/55dB μ (400Hz, 30% MOD) SSG signal. 2. Set the output to 0dBm(0.245V) by main volume. 3. Adjust VR3 so that the output level is - 15dB when the SG output is set - 20dB μ .	Oscilloscope SSG Digital volt meter
FM SD	1. Input the 98.1MHz/25dB μ (400Hz, 30% MOD) SSG signal. 2. Adjust VR4 so that the output of TP1 is just high level.	Oscilloscope SSG
AM SD	1. Input the 1000kHz/35dB μ (400Hz, 30% MOD) SSG signal. 2. Adjust VR2 so that the output of TP2 is just high level.	Oscilloscope SSG
Diver	1. To release the test mode, turn on the power switch. 2. Input the 98.1MHz/20dB μ (400Hz, 30% MOD) SSG signal. 3. Adjust VR1 so that the output of TP3 is 1.0V(DC).	Oscilloscope SSG Digital volt meter

EXPLODED VIEW · PARTS LIST

Main section



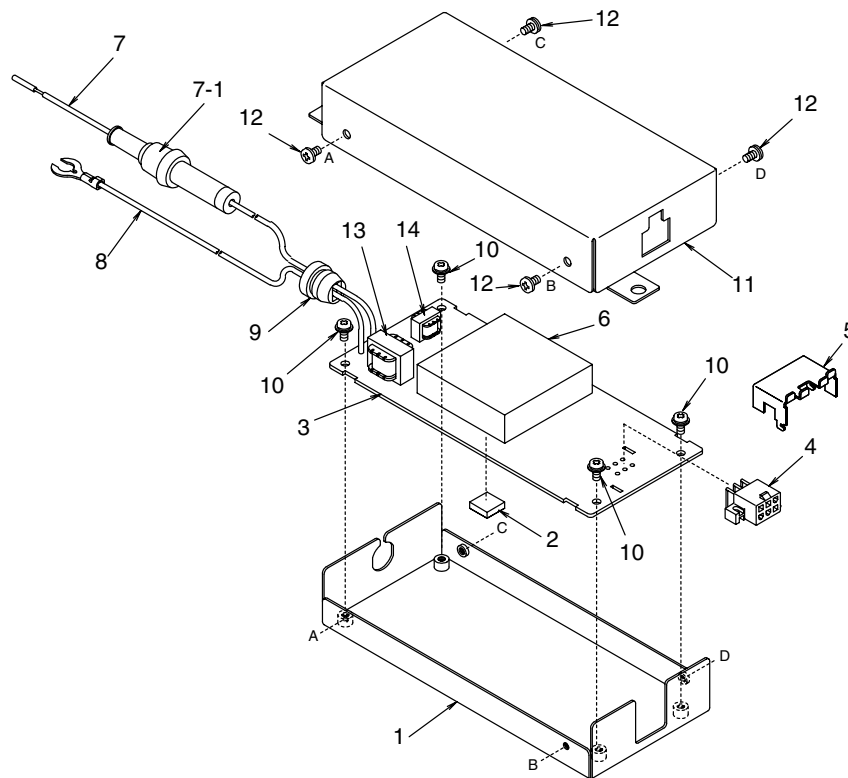
NO.	PART NO.	DESCRIPTION	Q'TY
1	940-7910-00	ESCUTCHEON ASSY	1
2	335-5061-00	COLOR FILTER	1
3	345-7778-00	CUSHION SHEET	1
4	345-5140-00	RUBBER SPACER	6
5	716-0872-01	PAD SCREW(M1.7 × 5)	5
6	379-4009-20	INDICATOR	1
7	347-5282-00	DOUBLE FACE	1
8	335-5072-00	VFD HOLDER	1
9	074-1105-20	OUTLET SOCKET(20P)	1
10	039-0686-00	SWITCH PWB (WITHOUT COMPONENT)	1
11	051-6017-00	IC(MSC1200)	1
12	013-6501-52	SWITCH	1
13	001-0593-01	DIODE(CL-155-Y)	7
14	001-0647-00	DIODE(CL-150R-CD)	7

NO.	PART NO.	DESCRIPTION	Q'TY
15	013-6302-50	SWITCH	6
16	013-6501-51	SWITCH	10
17	051-6316-00	IC(SM5845AF)	1
18	309-0665-00	FRONT PLATE	1
19	331-1807-00	VOL-HOLDER	1
20	722-0370-01	NUT	1
21	722-0433-02	NUT	1
22	305-0248-00	SIDE COVER	1
23	305-0249-00	SIDE COVER	1
24	313-1651-00	HEAT SINK	1
25	307-0520-00	REAR COVER	1
26	331-1806-00	CONNECTOR HOLDER	1
27	016-2290-01	VR W/SHAFT(VOL/FAD)	1
28	016-4415-00	VR W/SHAFT(BASS/TREB)	1

NO.	PART NO.	DESCRIPTION	Q'TY
29	060-0102-00	BUZZER	1
30	074-0884-00	OUTLET SOCKET	1
31	074-1106-08	OUTLET SOCKET(8P)	1
32	074-1106-10	OUTLET SOCKET(10P)	2
33	074-0986-26	OUTLET SOCKET(26P)	1
34	075-0305-01	JACK	1
35	076-0313-02	PLUG	1
36	076-0313-06	PLUG	1
37	076-0324-02	PLUG(2P)	1
38	076-0515-08	PLUG(8P)	1
39	076-0515-10	PLUG(10P)	2
40	076-0515-20	PLUG	1
41	092-3101-00	ANT RECEPT(SUB)	1
42	092-4000-50	ANT RECEPT(MAIN)	1
43	855-3310-11	MULTI POLE CODE(C-BUS)	1
44	345-7782-00	RUBBER PARTS	1
45	347-2786-00	DOUBLE FACE	1
46	714-3004-81	MACHINE SCREW(M3 x 4)	1
47	731-3006-80	TAPTIGHT(M3 x 6)	9
48	039-0685-00	MAIN PWB (WITHOUT COMPONENT)	1

NO.	PART NO.	DESCRIPTION	Q'TY
49	380-5375-01	KNOB	1
50	380-5376-01	KNOB	1
51	380-5374-00	KNOB	1
52	373-0806-03	DIAL COVER	1
53	286-9491-00	SET PLATE	1
54	303-0458-04	UPPER COVER	1
55	304-0437-00	LOWER COVER	1
56	345-3799-00	RUBBER PARTS	4
57	347-5124-11	INSULATOR	1
58	347-5285-00	INSULATOR	1
59	347-5310-00	INSULATOR	1
60	816-2391-00	FLAT CABLE	1
61	854-4119-00	EXTENSION LEAD	1
62	855-5380-05	RCA PIN CORD	1
63	929-0066-80	CD MECHANISM	1
64	750-2796-02	SPRING	2
65	714-5008-41	MACHINE SCREW(M5 x 8)	2
66	347-3402-02	SHIELD SHEET	1
67	731-3006-85	TAPTIGHT(M3 x 6)	4
68	880-1950B	TUNER PACK(AM/FM)	1

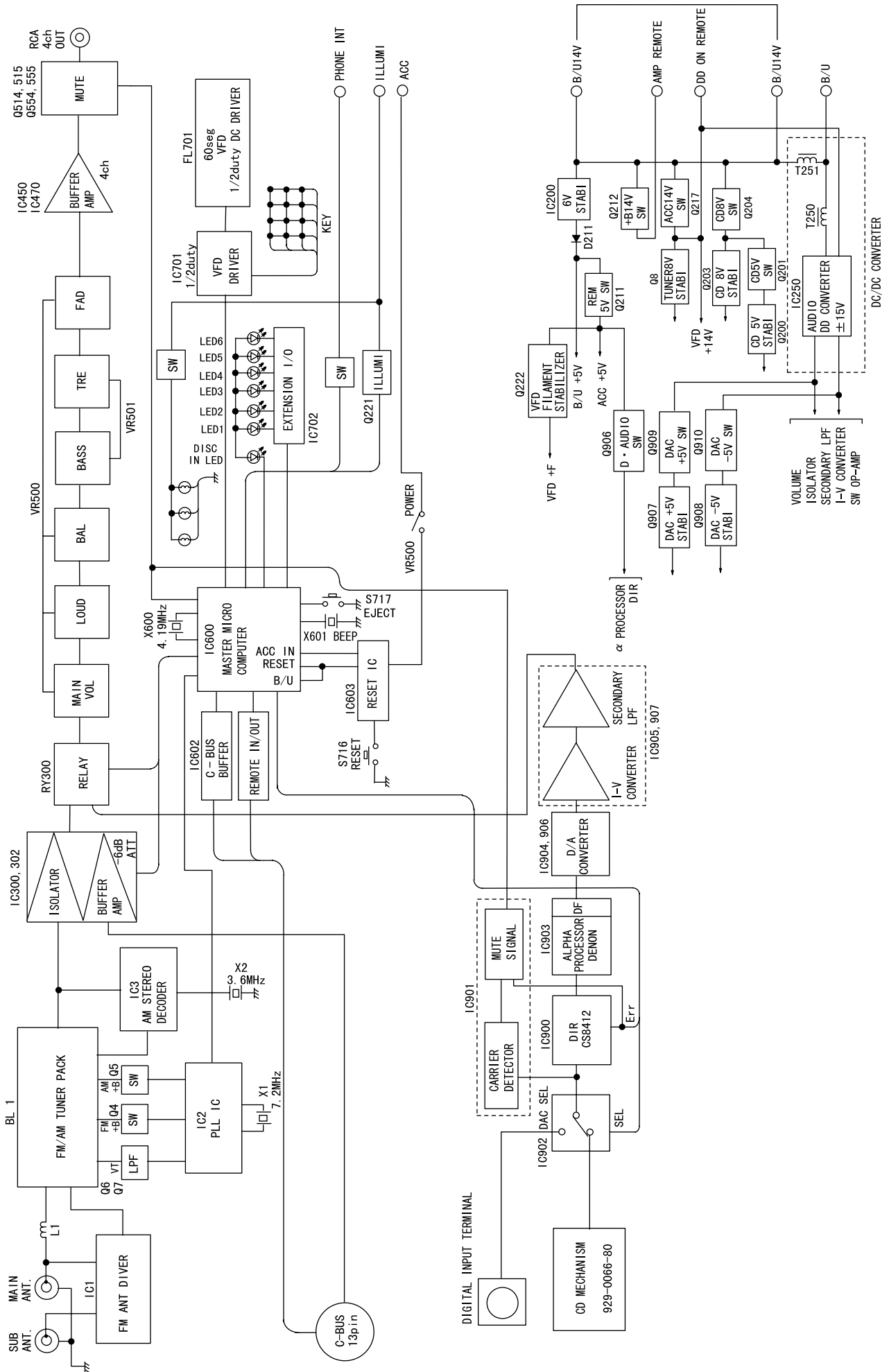
DC/DC converter section



NO.	PART NO.	DESCRIPTION	Q'TY
1	311-1580-01	LOWER COVER	1
2	345-7486-00	CUSHION	1
3	039-0684-00	DC/DC CONVERTER PWB (WITHOUT COMPONENT)	1
4	074-0884-01	OUTLET SOCKET(6P)	1
5	330-9387-00	CONNECTOR HOLDER	1
6	060-6008-00	DC/DC CONVERTER	1
7	816-2392-00	LEAD(YELLOW)	1
7-1	120-0030-00	FUSE(3A)	1

NO.	PART NO.	DESCRIPTION	Q'TY
8	816-2244-00	LEAD(BLACK)	1
9	321-0989-00	LEAD CLAMP	1
10	735-3008-11	D-SEMS SCREW(M3 x 8)	4
11	310-1523-01	UPPER COVER	1
12	714-3005-80	MACHINE SCREW(M3 x 5)	4
13	009-0621-00	CHOKE	1
14	009-0470-02	CHOKE	1

BLOCK DIAGRAM



ELECTRICAL PARTS LIST

Note) Several different parts of the same reference number are alternative parts.

Main PWB section(B1)

One of those parts is used in the set.

REF No.	PART No.	DESCRIPTION	REF No.	PART No.	DESCRIPTION	REF No.	PART No.	DESCRIPTION
ANT1	092-4000-50	ANT RECEPT	C300	183-1063-31	16V10 μ F	C901	178-1042-78	0.1 μ F
ANT2	092-3101-00	ANT RECEPT	C301	178-1042-78	0.1 μ F	C902	178-1042-78	0.1 μ F
BL1	880-1950B	AM/FM TUNER	C302	183-2253-62	50V2.2 μ F	C903	178-4732-78	0.047 μ F
C1	176-1011-00	100pF CH	C303	183-3343-61	50V0.33 μ F	C904	178-1032-78	0.01 μ F
C2	176-1011-00	100pF CH	C304	176-1211-00	120pF CH	C905	178-1032-78	0.01 μ F
C3	176-3301-00	33pF CH	C305	176-2201-00	22pF CH	C906	176-1011-00	100pF CH
C4	176-3301-00	33pF CH	C306	178-1042-78	0.1 μ F	C907	178-3332-78	0.033 μ F
C5	178-1042-78	0.1 μ F	C316	183-4753-51	35V4.7 μ F	C908	178-1042-78	0.1 μ F
C6	178-1042-78	0.1 μ F	C317	178-1042-78	0.1 μ F	C909	178-1042-78	0.1 μ F
C7	183-1053-61	50V1 μ F	C318	183-2253-62	50V2.2 μ F	C910	178-1042-78	0.1 μ F
C8	183-6843-61	50V0.68 μ F	C320	183-1063-31	16V10 μ F	C912	042-0403-00	6.3V22 μ F TAN
C9	183-4743-61	50V0.47 μ F	C321	176-1211-00	120pF CH	C913	178-1042-78	0.1 μ F
C10	178-1032-78	0.01 μ F	C322	176-2201-00	22pF CH	C914	042-0423-00	10V3.3 μ F
C11	183-4763-31	16V47 μ F	C323	178-1042-78	0.1 μ F	C915	183-2263-31	16V22 μ F
C12	178-2232-78	0.022 μ F	C338	182-1073-33	16V100 μ F	C916	183-1073-12	6.3V100 μ F
C13	183-1063-31	16V10 μ F	C339	182-1073-33	16V100 μ F	C917	178-1042-78	0.1 μ F
C14	178-1032-78	0.01 μ F	C340	183-4763-11	6.3V47 μ F	C918	042-0423-00	10V3.3 μ F
C15	178-2232-78	0.022 μ F	C341	183-2263-31	16V22 μ F	C919	178-1042-78	0.1 μ F
C17	183-1053-61	50V1 μ F	C342	178-1042-78	0.1 μ F	C920	042-0423-00	10V3.3 μ F
C18	176-1011-00	100pF CH	C343	183-4753-51	35V4.7 μ F	C921	183-4763-11	6.3V47 μ F
C19	176-1011-00	100pF CH	C344	183-1063-31	16V10 μ F	C922	042-0423-00	10V3.3 μ F
C20	176-1011-00	100pF CH	C345	183-4753-51	35V4.7 μ F	C924	173-1021-11	1000pF J
C21	176-1011-00	100pF CH	C346	183-1063-31	16V10 μ F	C925	178-1042-78	0.1 μ F
C22	176-1501-00	15pF CH	C347	183-1053-61	50V1 μ F	C926	176-2211-00	220pF CH
C23	176-1801-00	18pF CH	C348	183-2263-31	16V22 μ F	C927	043-0264-06	270pF
C24	178-2232-78	0.022 μ F	C349	178-1042-78	0.1 μ F	C928	178-1042-78	0.1 μ F
C25	183-4763-11	6.3V47 μ F	C352	178-1032-78	0.01 μ F	C929	042-0423-00	10V3.3 μ F
C26	178-1032-78	0.01 μ F	C353	176-1211-00	120pF CH	C930	183-2263-31	16V22 μ F
C27	183-3353-61	50V3.3 μ F	C354	176-1211-00	120pF CH	C931	183-1073-12	6.3V100 μ F
C30	178-4732-78	0.047 μ F	C450	183-1063-31	16V10 μ F	C932	178-1042-78	0.1 μ F
C31	183-1073-21	10V100 μ F	C451	178-1042-78	0.1 μ F	C933	042-0423-00	10V3.3 μ F
C32	183-4763-31	16V47 μ F	C452	176-3301-00	33pF CH	C934	178-1042-78	0.1 μ F
C45	178-1032-78	0.01 μ F	C453	176-3301-00	33pF CH	C935	042-0423-00	10V3.3 μ F
C46	178-4732-78	0.047 μ F	C454	178-1042-78	0.1 μ F	C936	183-4763-11	6.3V47 μ F
C47	183-1063-31	16V10 μ F	C455	183-2263-31	16V22 μ F	C937	042-0423-00	10V3.3 μ F
C48	178-1032-78	0.01 μ F	C456	183-2263-31	16V22 μ F	C939	173-1021-11	1000pF J
C49	178-1022-78	1000pF	C457	183-1063-31	16V10 μ F	C940	178-1042-78	0.1 μ F
C50	178-2732-78	0.027 μ F	C470	183-1063-31	16V10 μ F	C941	176-2211-00	220pF CH
C51	178-2732-78	0.027 μ F	C471	178-1042-78	0.1 μ F	C942	043-0264-06	270pF
C52	178-6832-78	0.068 μ F	C472	176-3301-00	33pF CH	C943	178-1042-78	0.1 μ F
C55	176-1011-00	100pF CH	C473	176-3301-00	33pF CH	C944	178-1042-78	0.1 μ F
C56	178-1032-78	0.01 μ F	C474	178-1042-78	0.1 μ F	C945	178-1042-78	0.1 μ F
C57	178-2232-78	0.022 μ F	C475	183-2263-31	16V22 μ F	C946	183-4763-11	6.3V47 μ F
C58	178-2232-78	0.022 μ F	C476	183-2263-31	16V22 μ F	C947	183-4763-11	6.3V47 μ F
C200	183-4763-11	6.3V47 μ F	C477	183-1063-31	16V10 μ F	C948	042-0416-02	10V10 μ F TAN
C201	183-2263-31	16V22 μ F	C478	178-1032-78	0.01 μ F	C949	042-0416-02	10V10 μ F TAN
C203	178-2232-78	0.022 μ F	C479	178-1022-78	1000pF	C950	178-1042-78	0.1 μ F
C204	042-0505-81	10V22 μ F	C511	183-3353-61	50V3.3 μ F	C951	178-1222-78	1200pF
C205	172-4731-11	0.047 μ F	C512	176-1011-00	100pF CH	C952	178-1042-78	0.1 μ F
C206	183-1053-61	50V1 μ F	C513	178-1042-78	0.1 μ F	C953	178-1032-78	0.01 μ F
C207	172-1041-11	0.1 μ F	C514	178-1042-78	0.1 μ F	C954	176-1011-00	100pF CH
C208	184-4773-31	16V470 μ F	C515	178-1042-78	0.1 μ F	C956	178-1032-78	0.1 μ F
C209	183-1053-61	50V1 μ F	C517	178-1042-78	0.1 μ F	D5	001-0557-00	HVR187
C210	183-2263-11	6.3V22 μ F	C518	173-3931-10	0.039 μ F J	D6	001-0557-00	HVR187
C211	178-4732-78	0.047 μ F	C519	173-3931-10	0.039 μ F J	D8	001-0503-47	HZS9B3L
C212	183-4763-31	16V47 μ F	C521	173-1231-10	0.012 μ F J	D200	001-0377-32	MA4056M
C213	042-0505-81	10V22 μ F	C522	173-1231-10	0.012 μ F J	D201	001-0377-45	MA4082H
C214	178-1032-78	0.01 μ F	C523	183-2263-31	16V22 μ F	D204	001-0589-00	1SS145
C215	178-1032-78	0.01 μ F	C551	183-3353-61	50V3.3 μ F	D207	001-0516-00	MA111
C216	176-1011-00	100pF CH	C552	176-1011-00	100pF CH	D208	001-0330-00	1SS119
C218	176-1011-00	100pF CH	C553	178-1042-78	0.1 μ F	D209	001-0377-15	MA4033H
C219	176-1011-00	100pF CH	C554	178-1042-78	0.1 μ F	D210	001-0423-31	MA4180
C220	176-1011-00	100pF CH	C558	173-3931-10	0.039 μ F J	D211	001-0466-00	S5688B
C221	176-1011-00	100pF CH	C559	173-3931-10	0.039 μ F J	D213	001-0516-00	MA111
C222	178-1032-78	0.01 μ F	C561	173-1231-10	0.012 μ F J	D310	001-0466-00	S5688B
C223	176-1011-00	100pF CH	C562	173-1231-10	0.012 μ F J	D311	001-0516-00	MA111
C224	183-1073-21	10V100 μ F	C563	183-2263-31	16V22 μ F	D312	001-0516-00	MA111
C226	178-2232-78	0.022 μ F	C564	183-1063-31	16V10 μ F	D313	001-0516-00	MA111
C227	160-1022-05	1000pF	C565	183-1063-31	16V10 μ F	D314	001-0516-00	MA111
C228	178-1022-78	1000pF	C592	183-2263-11	6.3V22 μ F	D315	001-0516-00	MA111
C229	178-1022-78	1000pF	C593	183-2263-11	6.3V22 μ F	D316	001-0516-00	MA111
C230	178-2732-78	0.027 μ F	C600	178-4732-78	0.047 μ F	D317	001-0528-43	MA8082-L
C232	178-2232-78	0.022 μ F	C601	178-2232-78	0.022 μ F	D600	001-0516-00	MA111
C236	178-1032-78	0.01 μ F	C602	176-1011-00	100pF CH	D603	001-0516-00	MA111
C237	176-1011-00	100pF CH	C900	042-0416-02	10V10 μ F TAN	D604	001-0516-00	MA111

REF No.	PART No.	DESCRIPTION	REF No.	PART No.	DESCRIPTION	REF No.	PART No.	DESCRIPTION
D605	001-0516-00	MA111	Q304	125-2004-06	RN1406	R222	117-5621-10	1/10W 5.6k
D900	001-0516-00	MA111	Q305	125-2004-03	RN1403	R223	111-1001-91	1/4WS 10
D901	001-0516-00	MA111	Q306	103-1328-00	2SD1328	R226	117-3311-10	1/10W 330
D902	001-0516-00	MA111	Q307	103-1328-00	2SD1328	R227	117-2231-10	1/10W 22k
D903	001-0516-00	MA111	Q308	125-0002-03	RN2403	R228	117-1031-10	1/10W 10k
D905	001-0377-32	MA4056M	Q309	102-2712-00	2SC2712	R229	117-4721-10	1/10W 4.7k
D906	001-0377-32	MA4056M	Q310	100-1162-00	2SA1162	R230	117-4721-10	1/10W 4.7k
D908	001-0516-00	MA111	Q450	103-1328-00	2SD1328	R231	117-2231-10	1/10W 22k
D910	001-0516-00	MA111	Q451	103-1328-00	2SD1328	R233	117-1511-10	1/10W 150
IC1	051-1282-00	TA7372P	Q470	103-1328-00	2SD1328	R235	111-2721-91	1/4WS 2.7k
IC2	051-1717-05	LC7219M	Q471	103-1328-00	2SD1328	R236	111-3311-91	1/4WS 330
IC200	051-3201-00	AN77L06	Q512	125-0002-03	RN2403	R300	117-5631-10	1/10W 56k
IC300	051-3013-00	M5203AFP	Q513	125-0002-03	RN2403	R301	117-1031-10	1/10W 10k
IC302	051-3013-00	M5203AFP	Q552	125-0002-03	RN2403	R302	117-6821-10	1/10W 6.8k
IC450	051-3012-00	OP275GS	Q553	125-0002-03	RN2403	R303	117-1531-10	1/10W 15k
IC470	051-3012-00	OP275GS	Q600	125-2004-02	RN1402	R304	117-5631-10	1/10W 56k
IC510	051-3010-00	NJM4580E	Q601	125-2004-02	RN1402	R305	117-2231-10	1/10W 22k
IC550	051-3010-00	NJM4580E	Q602	102-2712-00	2SC2712	R308	117-8221-10	1/10W 8.2k
IC561	051-1904-00	μ PC4570G2	Q603	100-1162-00	2SA1162	R309	117-4731-10	1/10W 47k
IC600	052-3327-01	μ PD78058FGC-029-3B9	Q604	125-2004-02	RN1402	R320	117-5631-10	1/10W 56k
			Q605	102-2712-00	2SC2712	R321	117-1031-10	1/10W 10k
			Q606	125-2004-02	RN1402	R322	117-6821-10	1/10W 6.8k
IC602	051-7400-06	HD74LS07FP	Q902	125-2004-03	RN1403	R323	117-1531-10	1/10W 15k
IC603	051-0869-05	MB3771PF(-G)	Q903	125-2004-02	RN1402	R324	117-4731-10	1/10W 47k
IC900	051-6317-05	CS8412CS	Q905	125-2004-03	RN1403	R325	117-5631-10	1/10W 56k
IC901	051-1443-06	TC7WU04F	Q906	101-1237-00	2SB1237	R326	117-8221-10	1/10W 8.2k
IC902	051-0857-35	MC74HC00AF	Q907	103-1683-00	2SD1683	R327	117-2231-10	1/10W 22k
IC903	051-6316-00	SM5845AF	Q908	101-1143-00	2SB1143	R349	117-1021-10	1/10W 1k
IC904	051-6306-08	PCM1702U	Q909	125-0002-03	RN2403	R350	117-3321-10	1/10W 3.3k
IC905	051-1787-00	OPA2604AU	Q910	125-2004-03	RN1403	R351	117-8211-10	1/10W 820
IC906	051-6306-08	PCM1702U	Q911	125-2004-03	RN1403	R353	117-8231-10	1/10W 82k
IC907	051-1787-00	OPA2604AU	Q912	125-0002-03	RN2403	R354	117-3311-10	1/10W 330
J200	074-0884-00	OUTLET SOCKET	Q913	125-2004-03	RN1403	R355	117-1021-10	1/10W 1k
J201	074-1106-10	10P	Q918	125-2004-03	RN1403	R356	117-3311-10	1/10W 330
J300	074-1106-10	10P	R1	117-5631-10	1/10W 56k	R357	117-1021-10	1/10W 1k
J500	074-1106-08	8P	R2	117-6811-10	1/10W 680	R358	117-1021-10	1/10W 1k
J600	074-0986-26	26P	R3	117-3331-10	1/10W 33k	R359	117-5621-10	1/10W 5.6k
L1	010-4008-00	76 μ H	R4	117-1821-10	1/10W 1.8k	R365	117-4731-10	1/10W 47k
L2	010-2230-64	2.2 μ H	R5	117-3331-10	1/10W 33k	R366	117-4721-10	1/10W 4.7k
L3	010-2230-88	220 μ H	R6	117-1041-10	1/10W 100k	R367	117-2221-10	1/10W 2.2k
L5	010-2230-64	2.2 μ H	R7	117-1231-10	1/10W 12k	R368	117-1031-10	1/10W 10k
L200	010-2199-66	2.2 μ H J	R8	117-1031-10	1/10W 10k	R369	117-1031-10	1/10W 10k
L401	010-2198-56	2.2 μ H	R9	117-1001-10	1/10W 10	R370	117-8211-10	1/10W 820
L402	010-2198-56	2.2 μ H	R10	117-1221-10	1/10W 1.2k	R450	117-5631-10	1/10W 56k
L900	010-2199-74	10 μ H J	R11	117-1221-10	1/10W 1.2k	R451	032-0106-80	1/10W 5.1k ± 0.5%
L901	010-2230-80	47 μ H	R12	117-6831-10	1/10W 68k	R452	032-0106-80	1/10W 5.1k ± 0.5%
P200	076-0515-10	10P	R13	117-2221-10	1/10W 2.2k	R453	032-0144-53	1/10W 10k
P400	076-0515-10	10P	R14	117-1031-10	1/10W 10k	R454	117-1011-10	1/10W 100
P401	076-0313-06	6P	R16	117-1031-10	1/10W 10k	R455	117-1011-10	1/10W 100
P500	076-0515-08	8P	R17	117-1041-10	1/10W 100k	R456	032-0144-53	1/10W 10k
P601	076-0515-20	20P	R18	117-1041-10	1/10W 100k	R457	117-2731-10	1/10W 27k
P602	076-0313-02	2P	R19	117-2231-10	1/10W 22k	R458	117-2731-10	1/10W 27k
P900	075-0305-01	OPT-DIGITAL	R20	117-2231-10	1/10W 22k	R459	117-3311-10	1/10W 330
Q1	102-2712-00	2SC2712	R21	117-2221-10	1/10W 2.2k	R460	117-3311-10	1/10W 330
Q2	125-2004-03	RN1403	R22	117-2221-10	1/10W 2.2k	R461	117-5631-10	1/10W 56k
Q3	102-2712-51	2SC2712G,L	R23	117-2221-10	1/10W 2.2k	R470	117-5631-10	1/10W 56k
Q4	100-1298-00	2SA1298	R24	117-1221-10	1/10W 1.2k	R471	032-0106-80	1/10W 5.1k ± 0.5%
Q5	100-1298-00	2SA1298	R25	117-1221-10	1/10W 1.2k	R472	032-0106-80	1/10W 5.1k ± 0.5%
Q6	102-2712-51	2SC2712G,L	R26	117-1031-10	1/10W 10k	R473	032-0144-53	1/10W 10k
Q7	102-2712-51	2SC2712G,L	R27	117-1031-10	1/10W 10k	R474	117-1011-10	1/10W 100
Q8	103-1802-60	2SD1802FA-R.S.T	R28	117-1021-10	1/10W 1k	R475	117-1011-10	1/10W 100
Q200	103-2118-00	2SD2118	R29	117-2221-10	1/10W 2.2k	R476	032-0144-53	1/10W 10k
Q201	100-1162-00	2SA1162	R30	117-4721-10	1/10W 4.7k	R477	117-2731-10	1/10W 27k
Q203	103-2012-00	2SD2012	R40	111-5611-91	1/4WS 560	R478	117-2731-10	1/10W 27k
Q204	100-1162-00	2SA1162	R200	111-1511-91	1/4WS 150	R479	117-3311-10	1/10W 330
Q205	125-2004-06	RN1406	R201	117-1831-10	1/10W 18k	R480	117-3311-10	1/10W 330
Q209	101-1237-00	2SB1237	R202	117-1031-10	1/10W 10k	R481	117-5631-10	1/10W 56k
Q210	102-2712-00	2SC2712	R203	111-3311-91	1/4WS 330	R513	032-0144-50	1/10W 1k
Q211	101-1237-00	2SB1237	R204	117-4721-10	1/10W 4.7k	R514	117-1041-10	1/10W 100k
Q212	101-1237-00	2SB1237	R205	117-1031-10	1/10W 10k	R516	117-5631-10	1/10W 56k
Q213	125-2004-06	RN1406	R212	111-1221-91	1/4WS 1.2k	R517	117-6821-10	1/10W 6.8k
Q216	101-1274-00	2SB1274	R213	117-1031-10	1/10W 10k	R518	117-6821-10	1/10W 6.8k
Q217	103-1858-00	2SD1858	R214	117-4721-10	1/10W 4.7k	R519	032-0144-51	1/10W 4.7k
Q219	100-1162-00	2SA1162	R215	111-3311-91	1/4WS 330	R520	032-0144-51	1/10W 4.7k
Q220	125-2004-06	RN1406	R216	111-1031-91	1/4WS 10k	R522	117-1051-10	1/10W 1M
Q221	102-2712-00	2SC2712	R217	117-1031-10	1/10W 10k	R523	117-1051-10	1/10W 1M
Q222	103-1683-00	2SD1683	R218	111-1221-91	1/4WS 1.2k	R524	117-1021-10	1/10W 1k
Q301	125-2004-02	RN1402	R221	111-1801-91	1/4WS 18	R525	117-1021-10	1/10W 1k
Q303	125-2004-06	RN1406						

REF No.	PART No.	DESCRIPTION	REF No.	PART No.	DESCRIPTION	REF No.	PART No.	DESCRIPTION
R526	032-0144-51	1/10W 4.7k	R618	117-2231-10	1/10W 22k	R923	111-3921-91	1/4WS 3.9k
R527	032-0144-51	1/10W 4.7k	R619	117-2231-10	1/10W 22k	R924	111-8211-91	1/4WS 820
R553	032-0144-50	1/10W 1k	R620	117-2231-10	1/10W 22k	R925	111-8211-91	1/4WS 820
R554	117-1041-10	1/10W 100k	R621	117-1241-10	1/10W 120k	R926	117-1021-10	1/10W 1k
R556	117-5631-10	1/10W 56k	R622	117-1031-10	1/10W 10k	R927	117-1021-10	1/10W 1k
R557	117-6821-10	1/10W 6.8k	R623	117-4321-10	1/10W 4.3k	R928	117-1021-10	1/10W 1k
R558	117-6821-10	1/10W 6.8k	R624	117-2731-10	1/10W 27k	R930	117-1031-10	1/10W 10k
R559	032-0144-51	1/10W 4.7k	R625	117-4731-10	1/10W 47k	R931	117-1221-10	1/10W 1.2k
R560	032-0144-51	1/10W 4.7k	R626	117-2231-10	1/10W 22k	R932	117-2221-10	1/10W 2.2k
R562	117-1051-10	1/10W 1M	R627	117-4731-10	1/10W 47k	R933	117-2221-10	1/10W 2.2k
R563	117-1051-10	1/10W 1M	R628	117-4731-10	1/10W 47k	R934	117-2221-10	1/10W 2.2k
R564	117-1021-10	1/10W 1k	R629	117-4731-10	1/10W 47k	R935	117-1021-10	1/10W 1k
R565	117-1021-10	1/10W 1k	R631	117-4731-10	1/10W 47k	R936	117-1021-10	1/10W 1k
R566	032-0144-51	1/10W 4.7k	R632	117-4731-10	1/10W 47k	R937	117-1021-10	1/10W 1k
R567	032-0144-51	1/10W 4.7k	R636	117-2231-10	1/10W 22k	R938	117-1021-10	1/10W 1k
R568	032-0144-50	1/10W 1k	R637	117-2231-10	1/10W 22k	R939	117-1031-10	1/10W 10k
R569	032-0144-50	1/10W 1k	R643	117-1021-10	1/10W 1k	R942	117-1021-10	1/10W 1k
R570	032-0144-50	1/10W 1k	R901	117-1021-10	1/10W 1k	R943	117-1021-10	1/10W 1k
R571	032-0144-50	1/10W 1k	R902	117-3311-10	1/10W 330	R944	117-1031-10	1/10W 10k
R600	117-1031-10	1/10W 10k	R903	117-1031-10	1/10W 10k	R945	117-3311-10	1/10W 330
R601	117-1031-10	1/10W 10k	R904	117-4731-10	1/10W 47k	R947	111-1511-91	1/4WS 150
R602	117-2231-10	1/10W 22k	R905	117-1031-10	1/10W 10k	R948	118-6801-10	1/2W 68
R604	117-4721-10	1/10W 4.7k	R906	117-8211-10	1/10W 820	R949	118-6801-10	1/2W 68
R605	117-4721-10	1/10W 4.7k	R907	117-4701-10	1/10W 47	R950	117-1021-10	1/10W 1k
R606	117-2231-10	1/10W 22k	R908	117-1011-10	1/10W 100	R951	117-1021-10	1/10W 1k
R607	117-1021-10	1/10W 1k	R910	117-2291-10	1/10W 2.2	RY300	014-0562-00	A-12W-K
R608	117-1021-10	1/10W 1k	R911	117-2291-10	1/10W 2.2	SUP1	060-0122-10	DSP-201M-S00B
R609	117-1021-10	1/10W 1k	R912	032-0144-51	1/10W 4.7k	VR1	012-5123-13	220k
R610	117-1031-10	1/10W 10k	R914	032-0144-51	1/10W 4.7k	VR2	012-5123-06	10k
R611	111-1221-91	1/4WS 1.2k	R915	032-0144-51	1/10W 4.7k	VR3	012-5123-13	220k
R612	117-5631-10	1/10W 56k	R916	111-3921-91	1/4WS 3.9k	VR500	016-2290-01	VR W/SHAFT
R613	117-2231-10	1/10W 22k	R917	117-2291-10	1/10W 2.2	VR501	016-4415-00	VR W/SHAFT
R614	117-5631-10	1/10W 56k	R918	117-2291-10	1/10W 2.2	X1	061-1066-00	7.2MHz
R615	117-2231-10	1/10W 22k	R919	032-0144-51	1/10W 4.7k	X600	060-0266-00	KBR-4.19MWS
R616	117-1031-10	1/10W 10k	R921	032-0144-51	1/10W 4.7k	X601	060-0102-00	PKM35-4A1
R617	117-1031-10	1/10W 10k	R922	032-0144-51	1/10W 4.7k			

Switch PWB section(B2)

REF No.	PART No.	DESCRIPTION	REF No.	PART No.	DESCRIPTION	REF No.	PART No.	DESCRIPTION
C701	176-1007-00	10pF CH	Q701	103-1782-50	2SD1782K,Q,R	R722	117-1221-10	1/10W 1.2k
C702	178-1042-78	0.1 μ F	Q702	103-1782-50	2SD1782K,Q,R	R723	117-1521-10	1/10W 1.5k
C703	176-1011-00	100pF CH	Q703	125-0013-06	RN2426	R724	117-1521-10	1/10W 1.5k
C704	178-1042-78	0.1 μ F	Q704	125-0013-06	RN2426	R725	117-1821-10	1/10W 1.8k
D701	001-0647-00	CL-150R-CD	Q705	125-0013-06	RN2426	R726	117-1821-10	1/10W 1.8k
D702	001-0593-01	CL-155-Y/PG-D	Q706	125-2004-02	RN1402	R727	117-1031-10	1/10W 10k
D703	001-0593-01	CL-155-Y/PG-D	Q707	125-0002-02	RN2402	R728	117-1031-10	1/10W 10k
D704	001-0593-01	CL-155-Y/PG-D	Q708	125-0002-02	RN2402	R729	117-2231-10	1/10W 22k
D705	001-0593-01	CL-155-Y/PG-D	R701	117-2221-10	1/10W 2.2k	R730	117-1231-10	1/10W 12k
D706	001-0593-01	CL-155-Y/PG-D	R702	117-2221-10	1/10W 2.2k	R731	117-2231-10	1/10W 22k
D707	001-0593-01	CL-155-Y/PG-D	R703	117-2221-10	1/10W 2.2k	R732	117-2231-10	1/10W 22k
D708	001-0516-00	MA111	R704	117-4721-10	1/10W 4.7k	R733	117-1021-10	1/10W 1k
D709	001-0584-19	MA8051	R705	117-1811-10	1/10W 180	S701	013-6501-51	LS552M-2Y/PG
D710	001-0647-00	CL-150R-CD	R706	117-1811-10	1/10W 180	S702	013-6302-50	SKQMAL
D711	001-0647-00	CL-150R-CD	R707	117-1811-10	1/10W 180	S703	013-6302-50	SKQMAL
D712	001-0647-00	CL-150R-CD	R708	117-1811-10	1/10W 180	S704	013-6501-51	LS552M-2Y/PG
D713	001-0647-00	CL-150R-CD	R709	117-1811-10	1/10W 180	S705	013-6501-51	LS552M-2Y/PG
D714	001-0647-00	CL-150R-CD	R710	117-1811-10	1/10W 180	S706	013-6302-50	SKQMAL
D715	001-0647-00	CL-150R-CD	R711	117-1811-10	1/10W 180	S707	013-6302-50	SKQMAL
D716	001-0593-01	CL-155-Y/PG-D	R712	117-4721-10	1/10W 4.7k	S708	013-6501-51	LS552M-2Y/PG
D717	001-0516-00	MA111	R713	117-1221-10	1/10W 1.2k	S709	013-6501-51	LS552M-2Y/PG
D718	001-0516-00	MA111	R714	117-1221-10	1/10W 1.2k	S710	013-6302-50	SKQMAL
D719	001-0516-00	MA111	R715	117-1521-10	1/10W 1.5k	S711	013-6501-51	LS552M-2Y/PG
D720	001-0516-00	MA111	R716	117-1521-10	1/10W 1.5k	S712	013-6501-51	LS552M-2Y/PG
D721	001-0516-00	MA111	R717	117-1221-10	1/10W 1.2k	S713	013-6501-51	LS552M-2Y/PG
D722	001-0516-00	MA111	R718	117-1221-10	1/10W 1.2k	S714	013-6302-50	SKQMAL
IC701	051-6017-00	MSC1200-01GS-VK	R719	117-1221-10	1/10W 1.2k	S715	013-6501-51	LS552M-2Y/PG
IC702	051-1345-15	MB88307APFG	R720	117-1221-10	1/10W 1.2k	S716	013-6501-52	LS5J2M
J701	074-1105-20	20P	R721	117-1221-10	1/10W 1.2k	S717	013-6501-51	LS552M-2Y/PG

DC/DC converter PWB section(B3)

REF No.	PART No.	DESCRIPTION	REF No.	PART No.	DESCRIPTION	REF No.	PART No.	DESCRIPTION
C250	184-2273-32	16V220 μ F	C259	042-9025-00	16V180 μ F	L251	010-2326-00	BL02RN2-R62
C251	172-1041-11	0.1 μ F	C260	184-1073-32	16V100 μ F	Q251	102-2458-00	2SC2458
C252	184-2273-32	16V220 μ F	C261	184-1073-32	16V100 μ F	R253	111-1031-91	1/4WS 10k
C253	182-2263-33	16V22 μ F	D250	001-0188-01	1S1885A	R254	111-1031-91	1/4WS 10k
C254	042-0504-05	16V22 μ F	D252	001-0330-00	1SS119	T250	009-0470-02	1.8mH
C255	042-0504-05	16V22 μ F	IC250	060-6008-00	HMA-1570-2492	T251	009-0621-00	0.9mH
C256	184-2273-32	16V220 μ F	J250	074-0884-01	OUTLET SOCKET			
C257	184-2273-32	16V220 μ F	L250	010-2326-00	BL02RN2-R62			

Mech PWB section(B4):CD mechanism

REF No.	PART No.	DESCRIPTION	REF No.	PART No.	DESCRIPTION	REF No.	PART No.	DESCRIPTION
C10	178-1032-78	0.01 μ F	C36	178-4732-78	0.047 μ F	R11	117-8231-10	1/10W 82k
C11	182-1063-32	16V10 μ F	C37	178-1522-78	1500pF	R12	117-1031-10	1/10W 10k
C12	178-1042-78	0.1 μ F	C38	178-1032-78	0.01 μ F	R14	117-5631-10	1/10W 56k
C13	182-1073-12	6.3V100 μ F	C39	042-0230-00	35V0.47 μ F	R15	117-1021-10	1/10W 1k
C14	178-1032-78	0.01 μ F	C40	178-1032-78	0.01 μ F	R16	117-2211-10	1/10W 220
C15	182-2263-12	6.3V22 μ F	C41	178-1042-78	0.1 μ F	R17	117-2211-10	1/10W 220
C16	178-1032-78	0.01 μ F	C42	178-2222-78	2200pF	R18	117-1031-10	1/10W 10k
C17	178-1042-78	0.1 μ F	C100	182-4763-12	6.3V47 μ F	R19	117-2231-10	1/10W 22k
C18	178-1042-78	0.1 μ F	C101	182-4763-12	6.3V47 μ F	R20	117-1831-10	1/10W 18k
C19	176-1501-00	15pF CH	C102	178-1032-78	0.01 μ F	R21	117-1031-10	1/10W 10k
C20	178-1042-78	0.1 μ F	C103	182-1073-32	16V100 μ F	R22	117-2021-10	1/10W 2k
C21	182-2263-12	6.3V22 μ F	D1	001-0563-00	GL380	R23	117-1011-10	1/10W 100
C22	176-2096-00	2pF CJ	D2	001-0563-00	GL380	R24	117-1021-10	1/10W 1k
C23	178-1042-78	0.1 μ F	D3	001-0563-00	GL380	R25	117-1001-10	1/10W 10
C24	178-1022-78	1000pF	IC1	051-1014-10	TA7291S	R26	117-3331-10	1/10W 33k
C25	176-2001-00	20pF CH	IC2	051-6015-05	BA6392FP	R27	117-3631-10	1/10W 36k
C26	176-2001-00	20pF CH	IC3	051-6314-05	TC9404FN	R28	117-1241-10	1/10W 120k
C27	182-1073-12	6.3V100 μ F	IC4	051-1971-00	CXA1610M	R29	117-3631-10	1/10W 36k
C28	178-1042-78	0.1 μ F	IC5	051-6313-00	CXD2545Q	R30	117-1041-10	1/10W 100k
C29	182-1073-12	6.3V100 μ F	J2	074-0967-06	6P	R31	117-1031-10	1/10W 10k
C30	178-1042-78	0.1 μ F	J3	074-1048-17	17P	R32	117-6821-10	1/10W 6.8k
C31	176-1007-00	10pF CH	L1	010-2155-03	10 μ H	R33	117-3321-10	1/10W 3.3k
C32	178-2212-78	220pF	L2	010-2155-03	10 μ H	R34	117-1051-10	1/10W 1M
C33	178-1042-78	0.1 μ F	L3	010-2155-03	10 μ H	R35	117-1041-10	1/10W 100k
C34	178-2212-78	220pF	Q1	101-1237-00	2SB1237	R36	117-1031-10	1/10W 10k
C35	178-1032-78	0.01 μ F	R10	111-2711-91	1/4WS 270	X1	061-3038-00	16.9344MHz

Limit switch PWB section(B5):CD mechanism

REF No.	PART No.	DESCRIPTION	REF No.	PART No.	DESCRIPTION	REF No.	PART No.	DESCRIPTION
M1	SMA-151-100	SPINDLE	M2	SMA-146-100	SLED	S1	013-7100-00	LIMIT

Chuckling switch PWB section(B6):CD mechanism

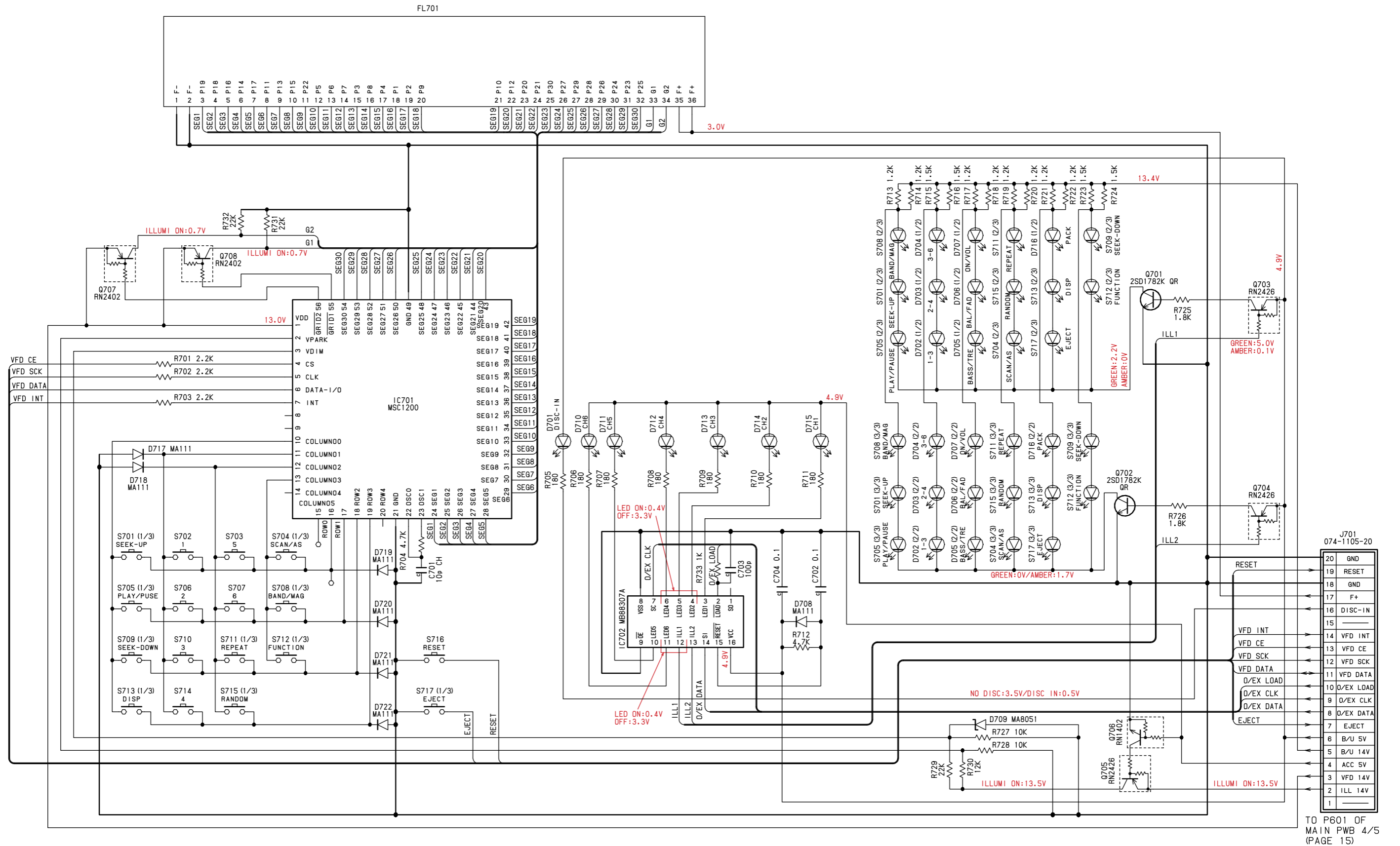
REF No.	PART No.	DESCRIPTION	REF No.	PART No.	DESCRIPTION
M3	SMA-147-100	LOADING	S2	013-3879-01	CHUCKING

Sensor PWB section(B7):CD mechanism

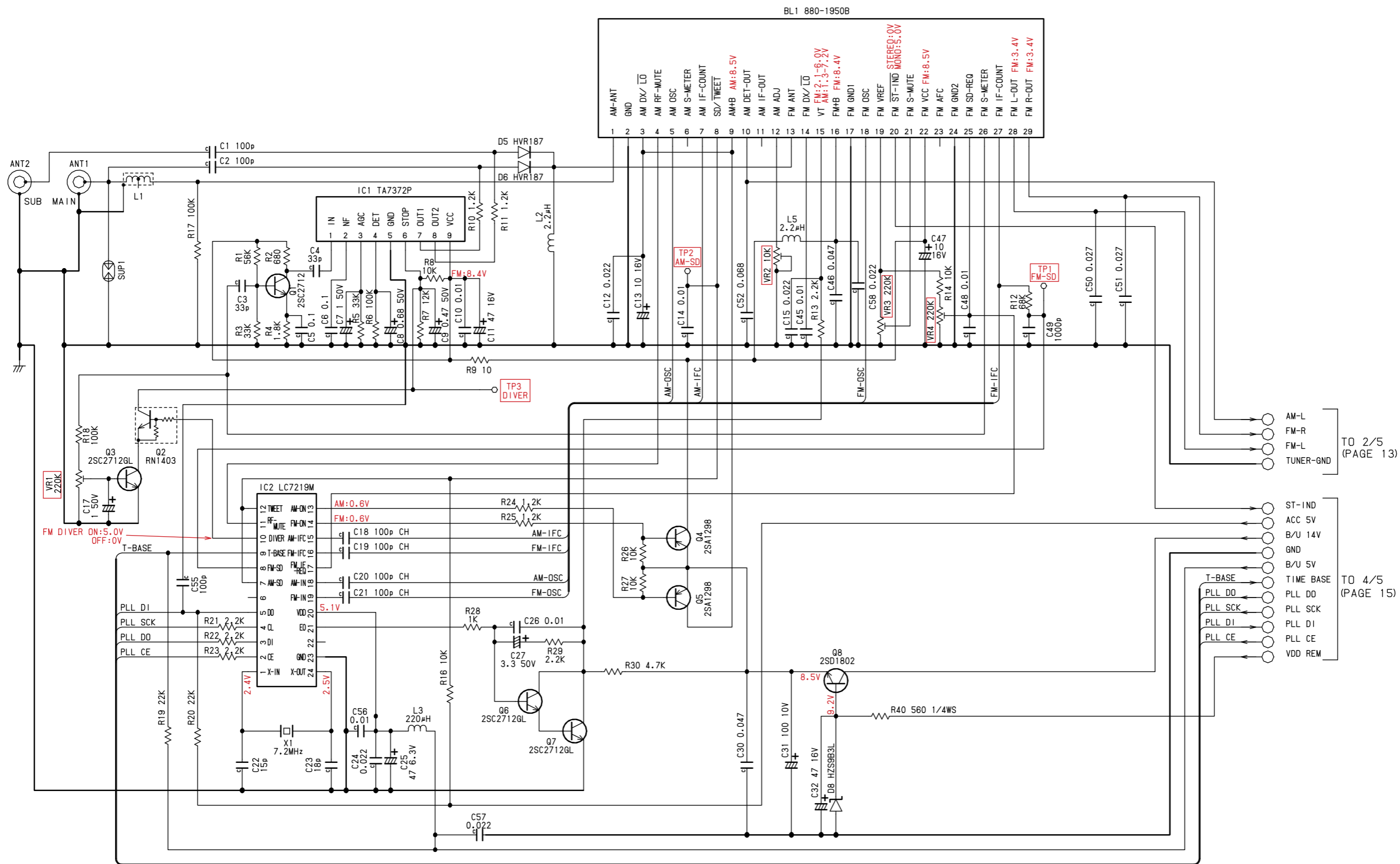
REF No.	PART No.	DESCRIPTION	REF No.	PART No.	DESCRIPTION	REF No.	PART No.	DESCRIPTION
Q101	060-0252-01	PT4850F	Q102	060-0252-01	PT4850F	Q103	060-0252-01	PT4850F

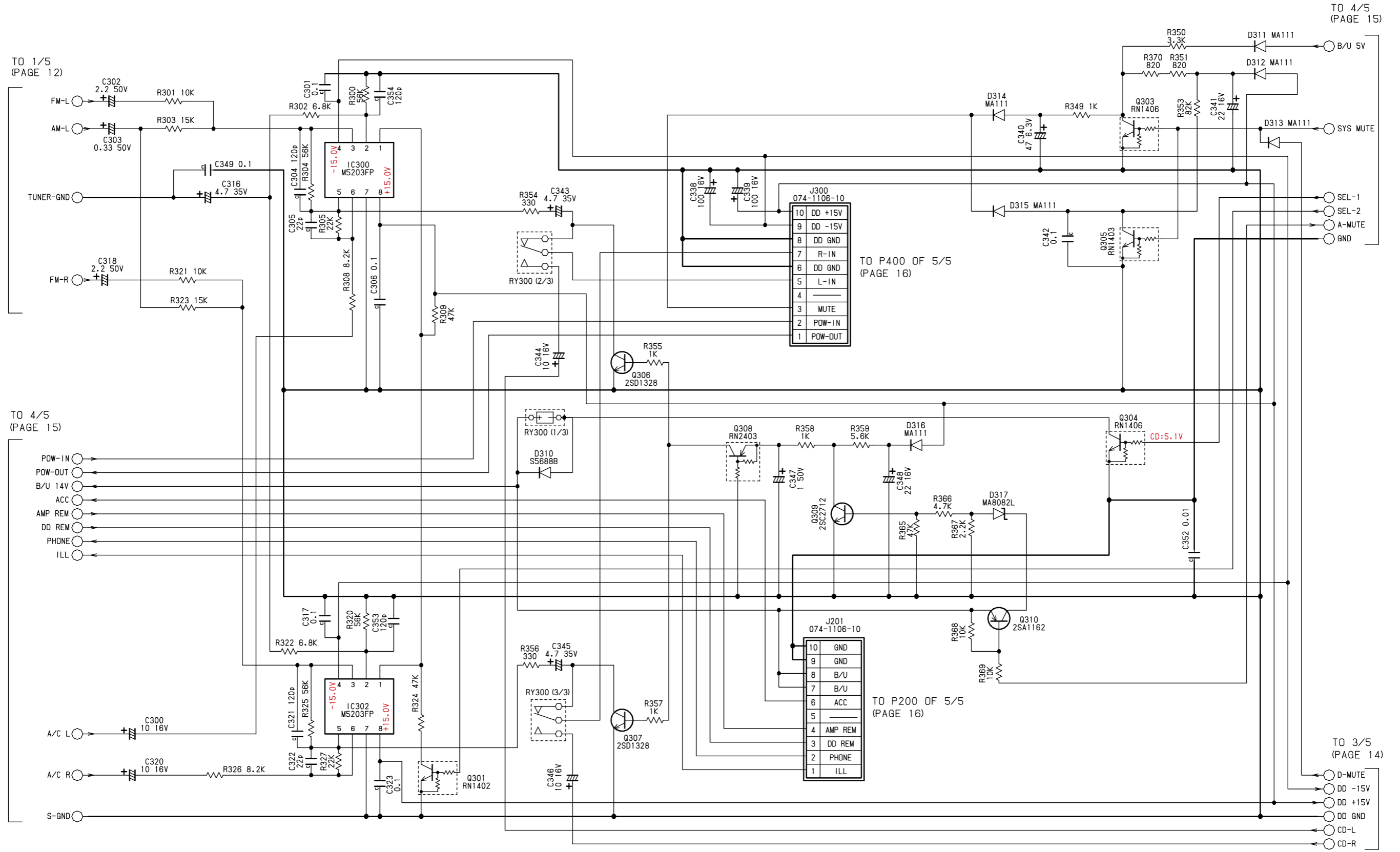
CIRCUIT DIAGRAM

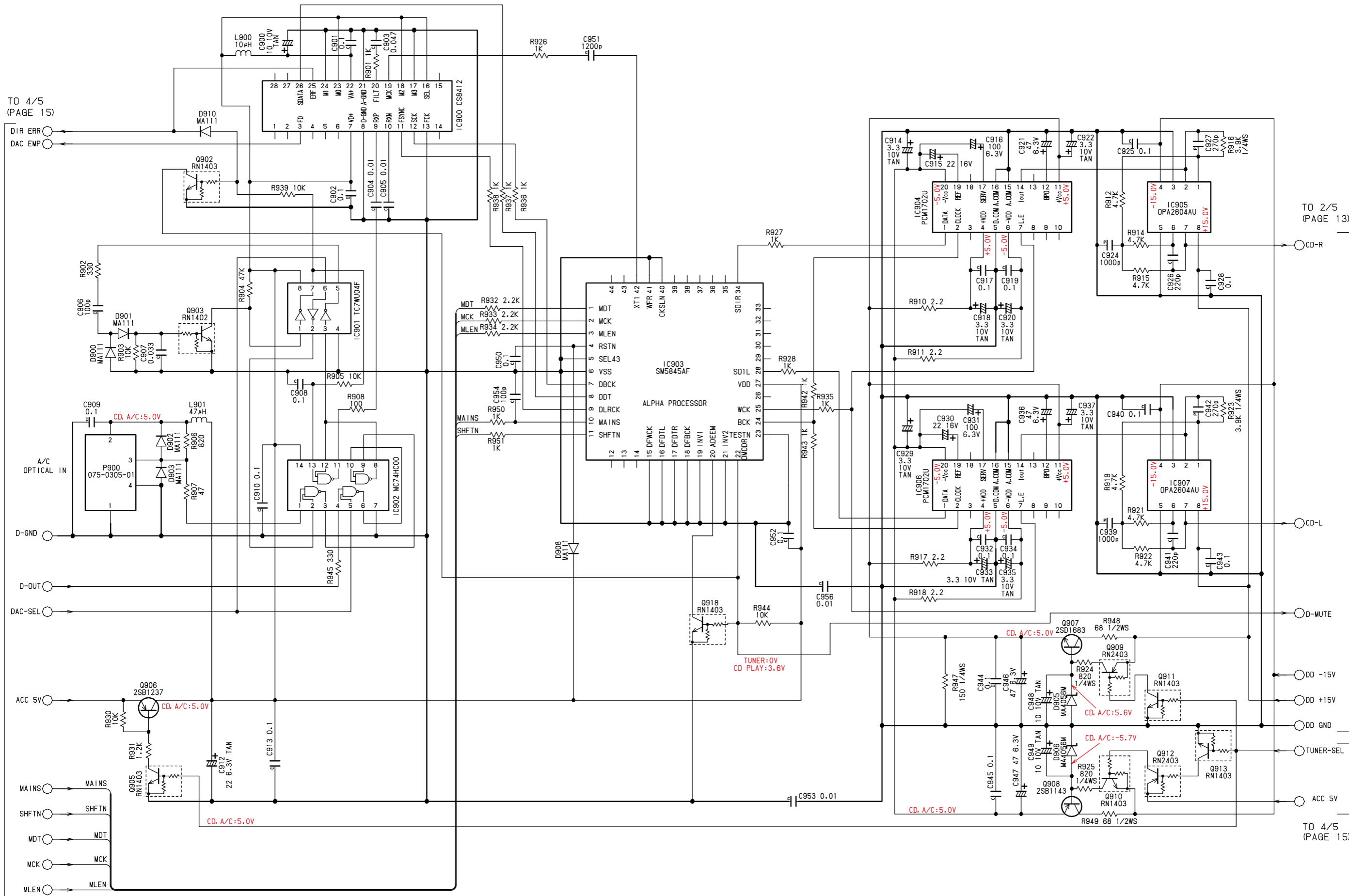
Switch PWB section(B2)



TO P601 OF MAIN PWB 4/5 (PAGE 15)



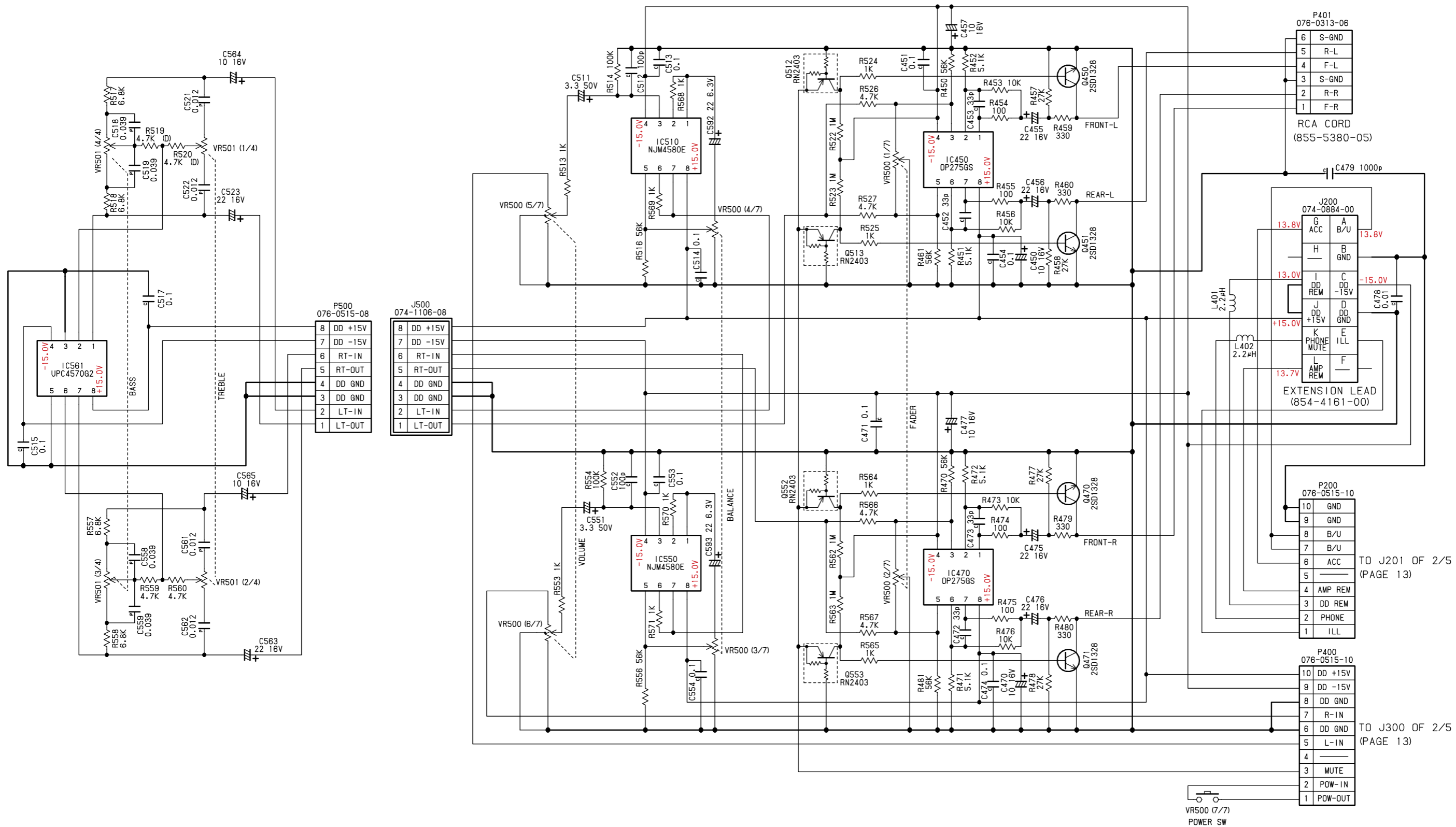




TO 4/5
(PAGE 15)

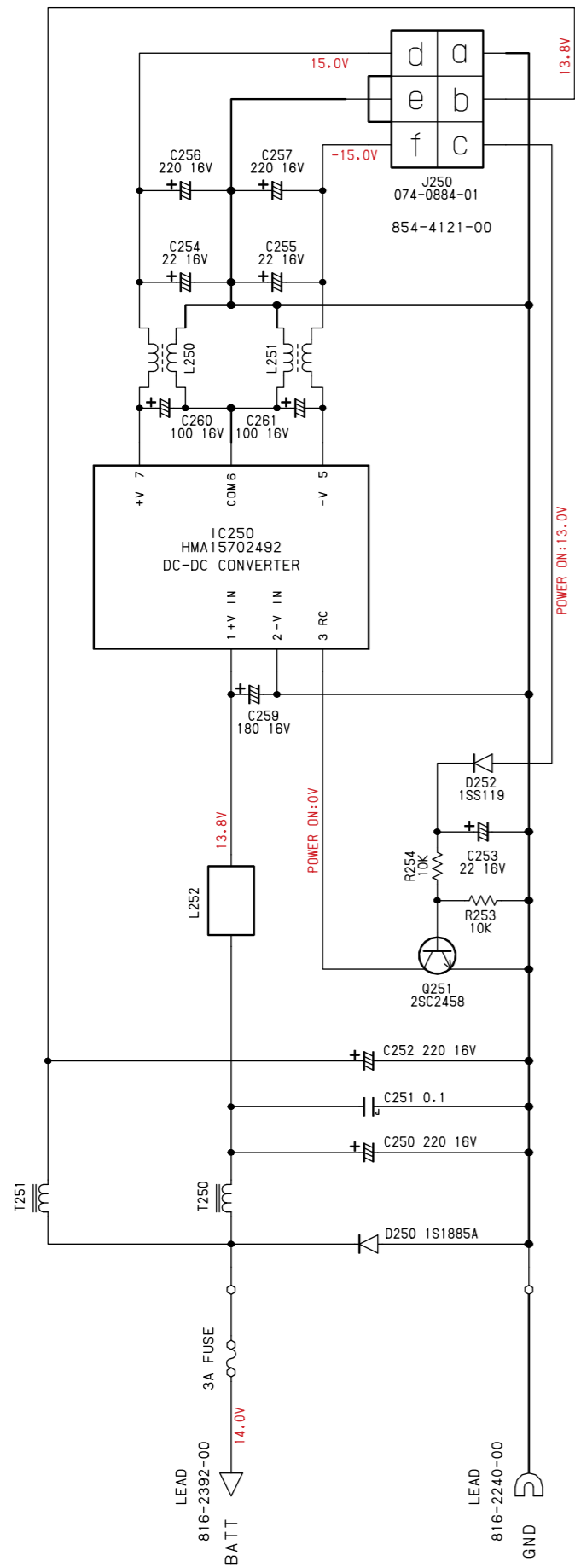
TO 2/5
(PAGE 13)

TO 4/5
(PAGE 15)



CIRCUIT DIAGRAM

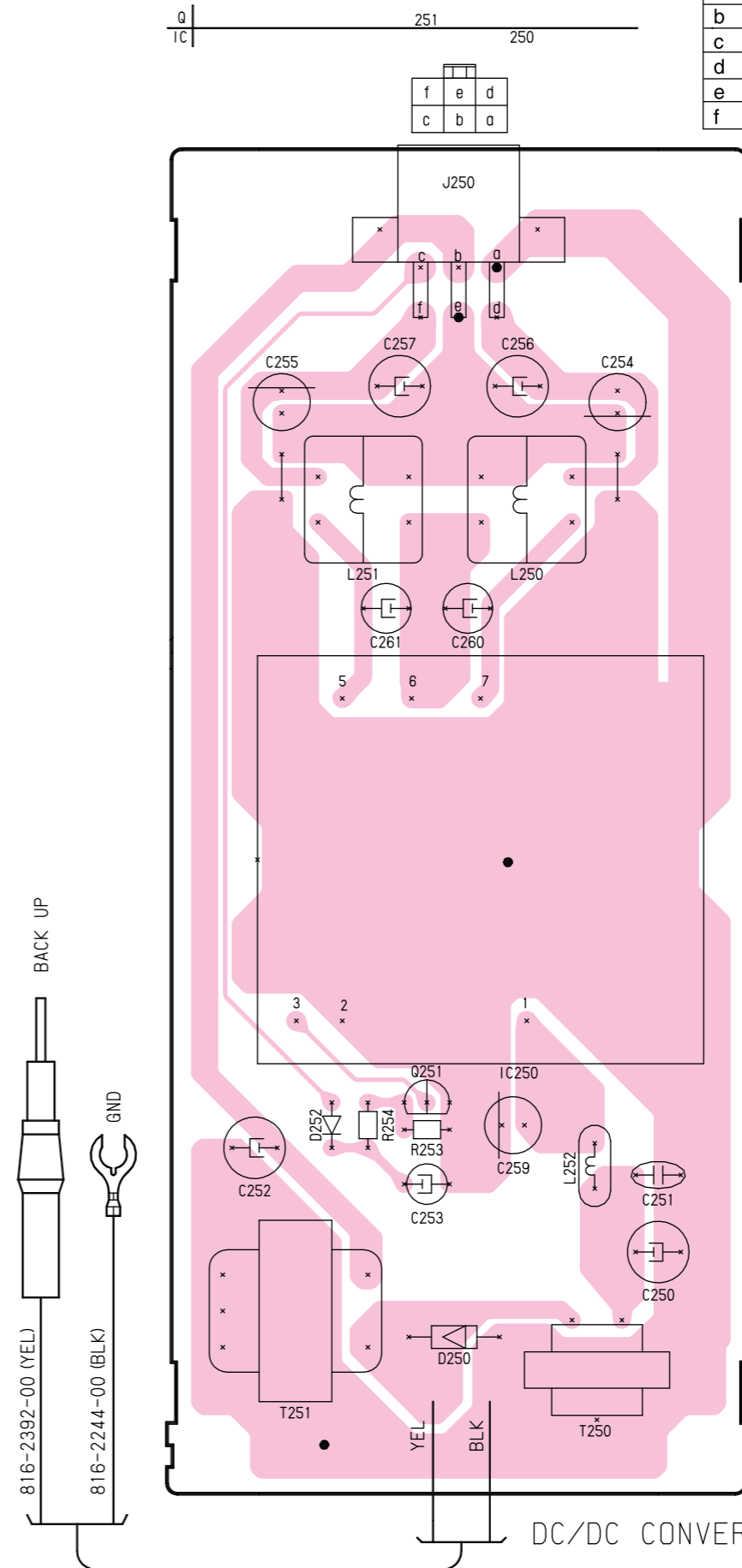
DC/DC converter PWB section(B3)



Pin No.	Color	Description
a	BLK	GND
b	YEL	BACK UP
c	BLU/YEL	D-D ON(D-D REM)
d	YEL/RED	D-D +15V
e	BLK/WHT	D-D GND
f	YEL/BLK	D-D -15V

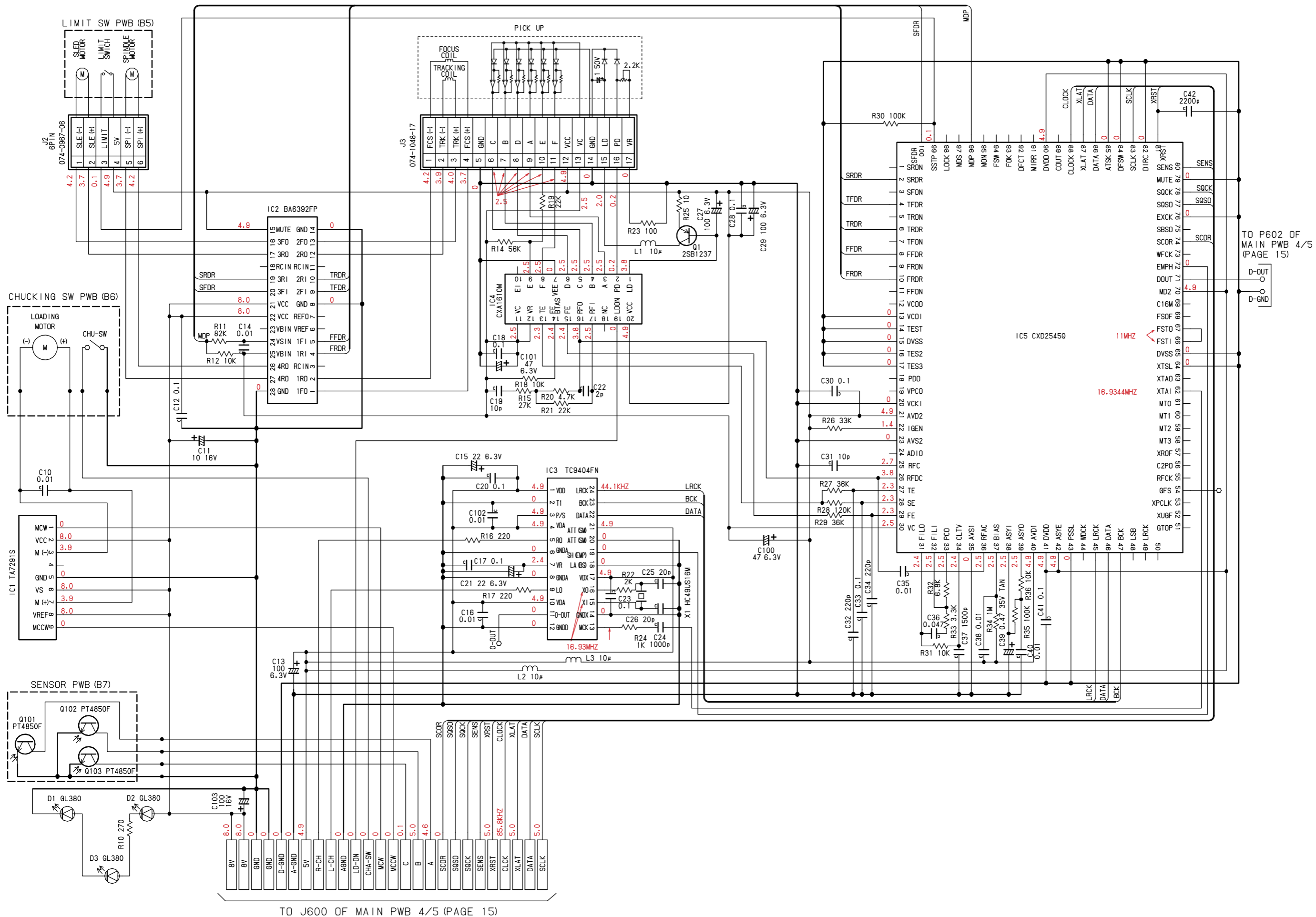
PRINTED WIRING BOARD

DC/DC converter PWB section(B3)



Pin No.	Color	Description
a	BLK	GND
b	YEL	BACK UP
c	BLU/YEL	D-D ON(D-D REM)
d	YEL/RED	D-D +15V
e	BLK/WHT	D-D GND
f	YEL/BLK	D-D -15V

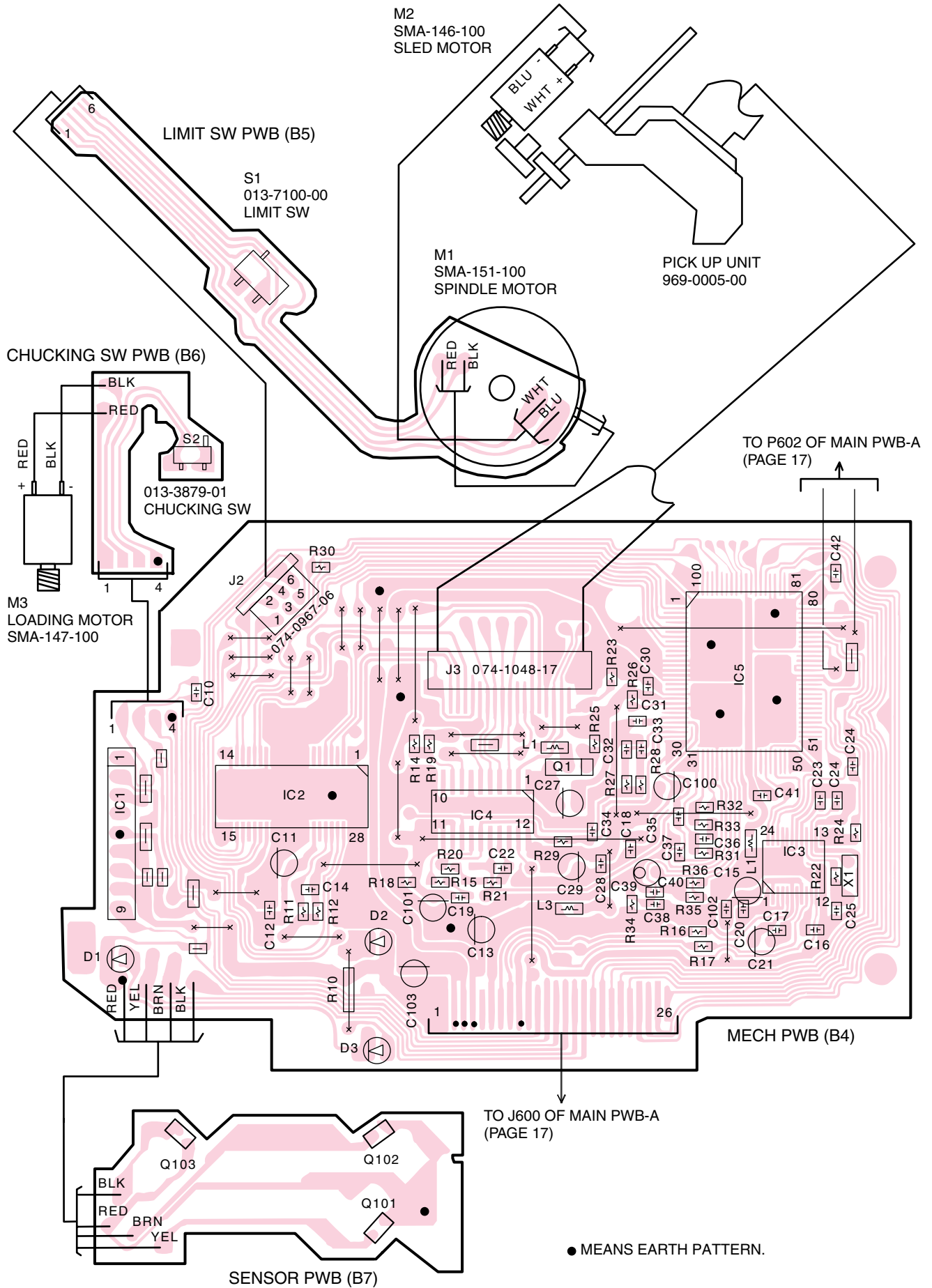
CIRCUIT DIAGRAM
CD mechanism section(B4-7)

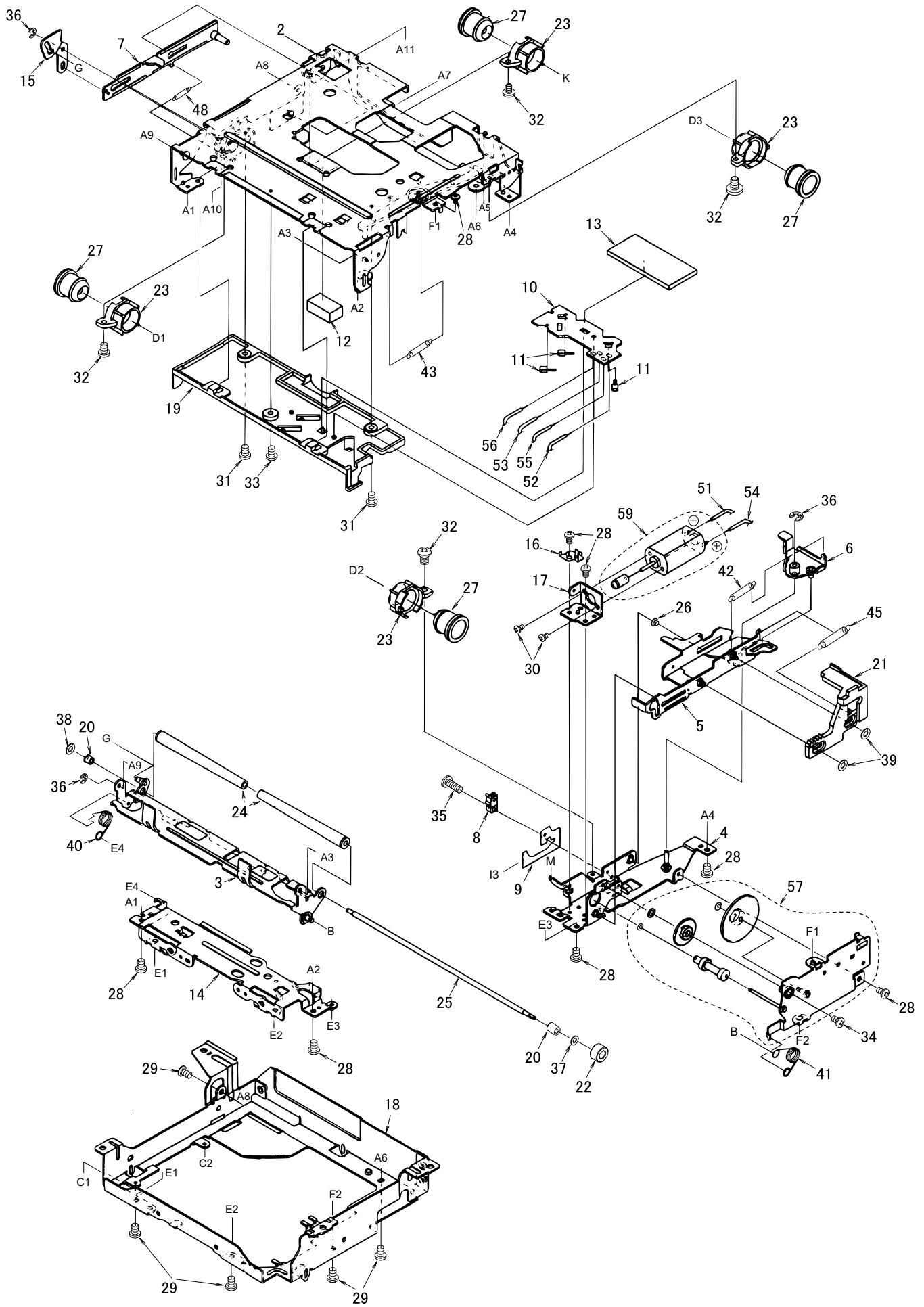


TO J600 OF MAIN PWB 4/5 (PAGE 15)

PRINTED WIRING BOARD

CD mechanism section(B4-7)





NO.	PART NO.	DESCRIPTION	Q'TY	NO.	PART NO.	DESCRIPTION	Q'TY
1	HBS-433-100	DRIVE UNIT	1	14	620-0485-04	FRONT PLATE	1
1-1	013-7100-00	LIMIT SWITCH	1	15	620-0488-01	S-L-LINK PLATE	1
1-2	620-0198-03	CLAMPER PLATE	1	16	620-0489-02	MOTOR PLATE	1
1-3	620-0491-03	SPRING PLATE	1	17	620-0492-01	MOTOR BRACKET	1
1-4	620-0690-00	RATTLE PLATE	1	18	620-0691-05	MECHA BRACKET	1
1-5	621-0205-02	CLAMPER PLATE	1	19	621-0402-02	U-DISC GUIDE	1
1-6	621-0251-03	LOCK LINK	1	20	621-0243-02	ROLLER SLEEVE	2
1-7	621-0252-03	DISC STOPPER	1	21	621-0248-07	RACK GEAR	1
1-8	621-0253-02	MOTOR HOLDER	1	22	621-0249-02	ROLLER GEAR	1
1-9	621-0255-02	SECOND GEAR	1	23	621-0250-21	DAMPER HOLDER	4
1-10	621-0257-25	SCREW HOLDER	1	24	621-0258-03	LOADING ROLLER	2
1-11	621-0357-03	PICKUP GUIDE	1	25	622-1072-05	ROLLER SHAFT	1
1-12	621-0358-02	LS-HOLDER-F	1	26	622-1219-01	SHIFT ROLLER	1
1-13	621-0359-02	LS-HOLDER-R	1	27	629-0058-00	DAMPER-DL	4
1-14	622-1073-02	CLAMPER ROLLER	1	28	714-2003-81	MACHINE SCREW(M2X3)	8
1-15	714-2003-81	MACHINE SCREW (M2X3)	10	29	714-2603-81	MACHINE SCREW(M2.6X3)	5
1-16	716-0675-00	SCREW (M2X5.5)	2	30	716-1468-00	SCREW (M2X2.5)	2
1-17	716-1468-00	SCREW (M2X2.5)	2	31	716-1507-00	SCREW (M2X3)	2
1-18	716-1555-00	WAVE SCREW (2X8)	1	32	716-1670-00	SCREW (M2X4)	6
1-19	716-1733-00	SCREW (M1.7X2.3)	2	33	716-1677-00	SCREW (M2X5)	1
1-20	732-2004-11	SEMS SCREW (M2X4)	2	34	716-1704-00	SCREW (M2X7)	1
1-21	739-1735-17	PRECISION SCREW(M1.7X3.5)	2	35	716-1742-00	SCREW (M2X5)	1
1-22	750-3097-03	CLAMPER SPRING	1	36	743-1500-10	E-RING	3
1-23	750-3098-00	L-LINK SPRING	1	37	746-0712-03	WASHER	1
1-24	750-3099-00	ES-SPRING	1	38	746-0762-00	WASHER	1
1-25	746-0761-00	WASHER	2	39	746-0877-02	WASHER	2
1-26	816-2372-00	VINYL COAT WIRE(BLU)	1	40	750-3090-02	RO-SPRING-L	1
1-27	816-2373-00	VINYL COAT WIRE(WHT)	1	41	750-3091-03	RO-SPRING-R	1
1-28	966-0314-01	STOP LINK ASSY	1	42	750-3092-03	SHIFT SPRING	1
1-29	966-0447-06	DR-PLATE ASSY	1	43	750-3094-00	S-ARM SPRING	1
1-30	966-0448-01	SIDE PLATE ASSY	1	44	750-3096-01	DR-SPRING-R	1
1-31	966-0449-04	CLAMP LINK ASSY	1	45	750-3098-00	L-LINK SPRING	1
1-32	969-0005-00	PICKUP UNIT ASSY	1	46	750-3164-00	DR-SPRING-LR	1
1-33	HBS-432-100	LS-GEAR ASSY	1	47	750-3188-00	DR-SP-F-B	1
1-34	SMA-146-100	MOTOR ASSY(SLED)	1	48	750-3189-00	SIDE-L-SPRING	1
1-35	SMA-151-100	MOTOR ASSY(SPINDLE)	1	49	750-3201-00	DR-SPRING-F-R	1
2	966-0308-11	CHASSIS ASSY	1	50	750-3202-00	CENTER SPRING-B	1
3	966-0309-05	L-DISC-G-ASSY	1	51	800-4904-60	VINYL COAT WIRE(BLK)	1
4	966-0310-06	SFT-P-CH-ASSY	1	52	800-4910-60	VINYL COAT WIRE(BLK)	1
5	966-0312-06	SHIFT-P-ASSY	1	53	801-4910-60	VINYL COAT WIRE(BRN)	1
6	966-0358-01	DRIVE-L-PL-ASSY	1	54	802-4904-60	VINYL COAT WIRE(RED)	1
7	966-0359-03	SIDE-L-PL-ASSY	1	55	802-4910-60	VINYL COAT WIRE(RED)	1
8	013-3879-01	CHUCKING SWITCH	1	56	804-4910-60	VINYL COAT WIRE(YEL)	1
9	039-0586-01	CHUCKING SW PWB (WITHOUT COMPONENT)	1	57	HBS-430-100	GEAR-SUB-ASSY	1
10	039-0588-01	SENSOR PWB (WITHOUT COMPONENT)	1	58	HBS-435-100	PWB ASSY (WITH COMPONENT)	1
11	060-0252-01	PHOTO TR (PT4850F)	3	59	SMA-147-100	MOTOR ASSY(LOADING)	1
12	345-7513-01	CLAMPER SHEET	1	60	001-0563-00	DIODE	3
13	345-7514-00	S-PWB-SHEET	1				