

fp-1404 *PowerPlant*

SERVICE MANUAL

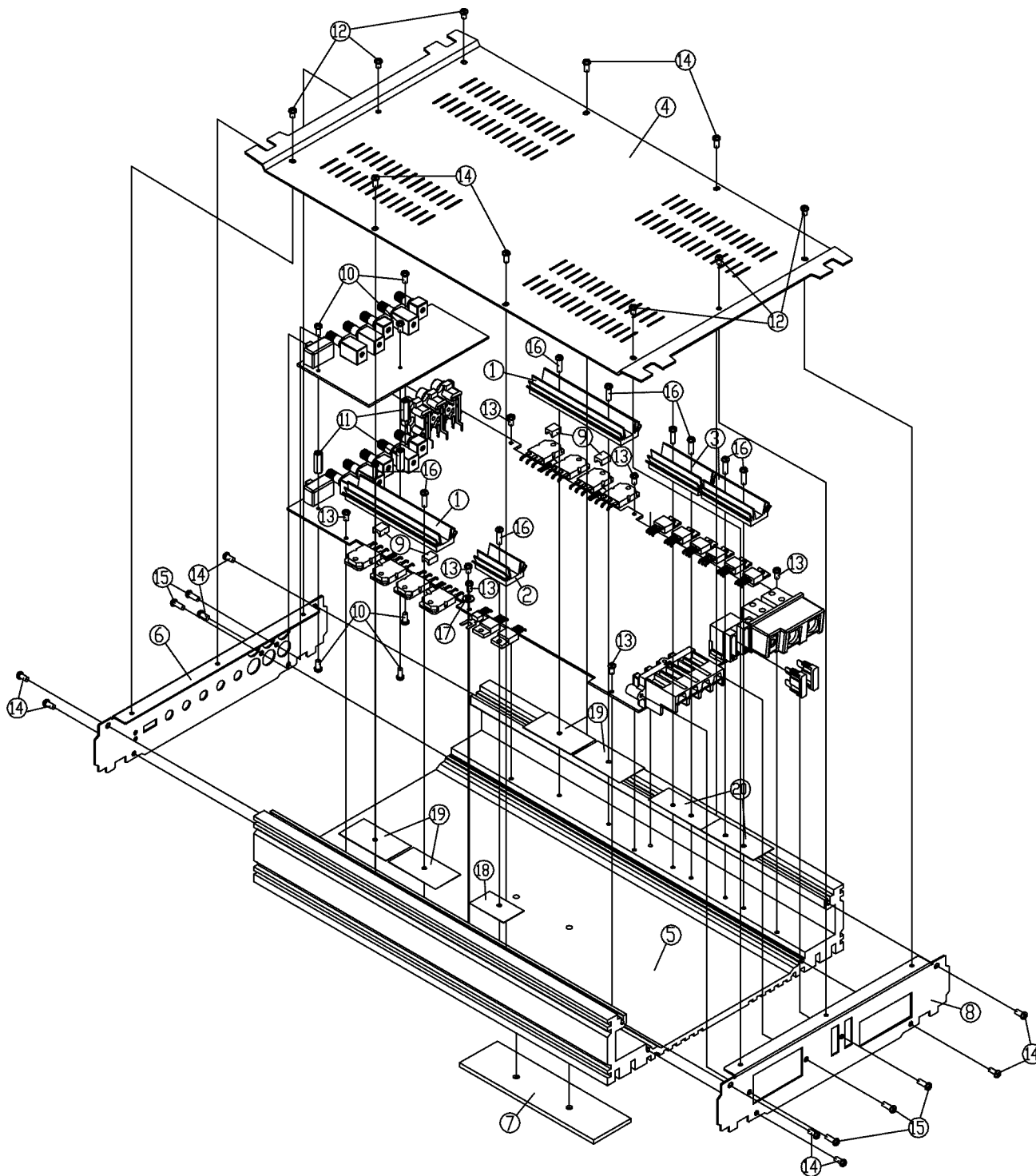


FUSION®

fp-series

PowerPlant

EXPLODED VIEW



Exploded View Parts List				
NO.	NAME	STAN	QUTY	CODE
1	BKTS 2184	AL 85X16	2	G-BKTS-2184-1
2	BKTS 2202	AL 29X16	1	G-BKTS-2202-1
3	BKTS 2203	AL 46X16	2	G-BKTS-2203-1
4	BOCA CBCP330-01	EGH1.2t 330X212	1	G-CBA-CBCP330
5	HSM HSPP004-01	PP-330mm	1	G-HSM-HSPP004
6	PFA PFPP002-01	EGH1.0t 216X45.5	1	G-PFA-PFPP002
7	BADGE	FUSION-LOGO	1	G-PLA-FUSION1
8	PRA PRPP004-01	EGH1.0t 216X45.5	1	G-PRA-PRPP004
9	SILICON RUBBER	6.4X4.3X8.0 BK	4	G-RUBS-4075-1
10	SCREW MACHINE	PH/M3X6 BK	6	G-SMPH003061
11	MAIN SPACER	HEX 5X15mm	3	G-SPC-515-1
12	SCREW TAPPING	PH3/T3X4 C BK	6	G-STPH303041C
13	SCREW TAPPING	PH3/T3X5 BK	8	G-STPH303051
14	SCREW TAPPING	PH3/T3X6 BK	12	G-STPH303061
15	SCREW TAPPING	PH3/T3X8 BK	5	G-STPH303081
16	SCREW TAPPING	PH3/T3X12 BK	9	G-STPH303121
17	WASHER PLATE	Ø3.2X8.0X1.0 ZN	1	G-SWWP3280101
18	SILICON RUBBER 19X32P	INS-2202	1	H-RUBS-32P-1
19	SILICON RUBBER 23.5X44P	INS-2182	4	H-RUBS-44P-2
20	SILICON RUBBER 19X49P	INS-2203	2	H-RUBS-49P-1



PART LIST

NO	CODE	NAME	STAN	Q'TY	REMARK
1	B-FLUX-----1	FLUX NT2016	@50000	1.000	
2	B-IPA-----1	IPA 2070	15kg:@28,000 g	1.000	
3	B-SLDR-BAR--1	SOLDER BAR 60%	kg:\$4.7 g:\$0.0047	1.000	
4	B-SLDR-WIRE-1	SOLDER WIRE 60%	kg:\$4.2 g:\$0.0042	1.000	
5	B-TUB-EMP1--1	TUBE EMPIRE	1mm/0.05ø @20	2.000	TH1, Q107, Q207, Q307, Q407
6	H-CER-100CHT1	CER CAP 100PF CH	TP TYPE	8.000	C144, C145, C244, C245
7	H-CER-100CHT1	CER CAP 100PF CH	TP TYPE	0.000	C344, C345, C444, C445
8	H-CER-104T--1	CER CAP 104PF	TP TYPE	1.000	C1
9	H-CER-10CHT-1	CER CAP 10PF CH	TP TYPE	9.000	C102, C150, C202, C205,
10	H-CER-10CHT-1	CER CAP 10PF CH	TP TYPE	0.000	C250, C302, C350, C402,
11	H-CER-10CHT-1	CER CAP 10PF CH	TP TYPE	0.000	C450
12	H-CER-10CHT-1	CER CAP 10PF CH	TP TYPE	1.000	C405
13	H-CER-470T--1	CER CAP 470PF	TP TYPE	4.000	C142, C242, C342, C442
14	H-CER-56CHT-1	CER CAP 56PF CH	TP TYPE	1.000	C105
15	H-CER-56CHT-1	CER CAP 56PF CH	TP TYPE	1.000	C305
16	H-CER-680T--1	CER CAP 680PF	TP TYPE	2.000	C103, C203
17	H-CER-680T--1	CER CAP 680PF	TP TYPE	2.000	C303, C403
18	H-COPER-2--10	COPER 2P NI	90mm	2.000	CO15, CO16
19	H-COPER-2--3	COPER 2P NI	30mm	2.000	CO10, CO12
20	H-COPER-2--4	COPER 2P NI	45mm	5.000	CO9, CO11, CO17, CO18, CO19
21	H-COPER-2--5	COPER 2P NI	60mm	9.000	CO1, CO2, CO3, CO4, CO5, CO6,
22	H-COPER-2--5	COPER 2P NI	60mm	0.000	CO7, CO13, CO14
23	H-COPER-2--6	COPER 2P NI	75mm	1.000	CO8
24	H-DIO-25C---2	DIODE YG225C2		2.000	D8, D8A
25	H-DIO-25N---2	DIODE YG225N2		2.000	D7, D7A

PART LIST

NO	CODE	NAME	STAN	Q'TY	REMARK
26	H-DIO-4002--1	DIODE IN4002		1.000	D6
27	H-DIO-4148--1	DIODE IN4148M		13.000	D1, D1A, D2, D2A, D4, D50
28	H-DIO-4148--1	DIODE IN4148M		0.000	D51, D101, D201, D301,
29	H-DIO-4148--1	DIODE IN4148M		0.000	D401, D501, D502
30	H-DIO-6A10--1	DIODE 6A10		1.000	D3
31	H-DIZ-1W15V-1	DIODE ZENER TZP15B	1N4744	2.000	DZ2, DZ3
32	H-DIZ-5.6B--1	DIODE ZENER MTZ5.6B		1.000	DZ4
33	H-DIZ-7.5B--1	DIODE ZENER MTZ7.5B		1.000	ZD1
34	H-E10-25SHT-1	EC100/25 5X11 SHL	TP TYPE	4.000	C148, C248, C348, C448
35	H-E10-50SHT-1	EC 10/50 5X11 SHL	TP TYPE	2.000	C15, C502
36	H-E13-25SX--2	EC1000/25 12.5X25 SXE		8.000	C3, C3A, C4, C4A, C30, C30A
37	H-E13-25SX--2	EC1000/25 12.5X25 SXE		0.000	C31, C31A
38	H-E1-50SHT--1	EC 1/50 5X11 SHL	TP TYPE	3.000	C14, C23, C28
39	H-E220-25SHT1	EC 220/25 8X11.5 SHL	TP TYPE	2.000	C10, C11
40	H-E330-16SHT1	EC 330/16 8X11.5 SHL	TP TYPE	4.000	C2, C16, C19, C24
41	H-E33-25SHT-1	EC 33/25 5X11 SHL	TP TYPE	4.000	C143, C243, C343, C443
42	H-E333-50SM-1	EC3300/50 25.4X25 SMH		4.000	C8, C8A, C9, C9A
43	H-E4.7-25SRT1	EC 4.7/25 4X7 SRA	TP TYPE	7.000	C101, C104, C204, C141
44	H-E4.7-25SRT1	EC 4.7/25 4X7 SRA	TP TYPE	0.000	C241, C341, C441
45	H-E4.7-25SRT1	EC 4.7/25 4X7 SRA	TP TYPE	2.000	C304, C404
46	H-E4.7-50SHT1	EC 4.7/50 5X11 SHL	TP TYPE	3.000	C201, C301, C401
47	H-E47-16SRT-1	EC 47/16 6.3X7 SRA	TP TYPE	2.000	CX1, CX2
48	H-FUS-30A---1	FUSE ATC-30A		3.000	FUSE1, FUSE2
49	H-FUS-HOL3-31	FUSE HOLDER P3	DKT-08011 PCB-INSERT	1.000	FUSE2
50	H-FUS-HOPL231	FUSE HOLDER	DKT-08021 DOUBLE PCB	1.000	FUSE1

PART LIST

NO	CODE	NAME	STAN	Q'TY	REMARK
51	H-IC-358P---1	IC KIA358P		1.000	IC302
52	H-IC-4560L--1	IC NJM4560L SIP		7.000	U1, U2, U3, U4, U5, U6, U11
53	H-IC-4560L--1	IC NJM4560L SIP		5.000	U12, U13, U14, U15, U16
54	H-IC-494CN--1	IC TL494CN		1.000	IC301
55	H-JAK-R6PGRW1	RCA JACK DKJ66104	UP:RED / DOWN:WHITE	1.000	RCA1
56	H-JW-JUMPW06T	JUMP WIRE 0.6T	TP TYPE	216.000	
57	H-JW-JUMPW06T	JUMP WIRE 0.6T	TP TYPE	30.000	
58	H-LED-HOLDER6	HOLDER LED ASS'Y	LT031HR1GH202C17(G/R)	1.000	LED
59	H-MFB-103P5T1	CAP/M-FILM 103/63V	BOX FILM 103 TP TYPE	8.000	C5, C5A, C6, C6A, C12, C18
60	H-MFB-103P5T1	CAP/M-FILM 103/63V	BOX FILM 103 TP TYPE	0.000	C21, C501
61	H-MFB-104P5T1	CAP/M-FILM 104/63V	BOX FILM 104 TP TYPE	16.000	C13, C17, C20, C110, C146
62	H-MFB-104P5T1	CAP/M-FILM 104/63V	BOX FILM 104 TP TYPE	0.000	C147, C210, C246, C247
63	H-MFB-104P5T1	CAP/M-FILM 104/63V	BOX FILM 104 TP TYPE	0.000	C346, C347, C446, C447
64	H-MFB-104P5T1	CAP/M-FILM 104/63V	BOX FILM 104 TP TYPE	0.000	CP1, CS1, C38
65	H-MFB-104P5T1	CAP/M-FILM 104/63V	BOX FILM 104 TP TYPE	2.000	C310, C410
66	H-MFB-153P5T1	CAP/M-FILM 153/63V	BOX FILM 153 TP TYPE	4.000	C113, C114, C213, C214
67	H-MFB-153P5T1	CAP/M-FILM 153/63V	BOX FILM 153 TP TYPE	4.000	C313, C314, C413, C414
68	H-MFB-184P5T1	CAP/M-FILM 184/63V	BOX FILM 184 TP TYPE	4.000	C106, C107, C206, C207
69	H-MFB-184P5T1	CAP/M-FILM 184/63V	BOX FILM 184 TP TYPE	4.000	C306, C307, C406, C407
70	H-MFB-224P5T1	CAP/M-FILM 224/63V	BOX FILM 224 TP TYPE	2.000	C112, C212
71	H-MFB-224P5T1	CAP/M-FILM 224/63V	BOX FILM 224 TP TYPE	2.000	C312, C412
72	H-MFB-473P5T1	CAP/M-FILM 473/63V	BOX FILM 473 TP TYPE	4.000	C108, C109, C208, C209
73	H-MFB-473P5T1	CAP/M-FILM 473/63V	BOX FILM 473 TP TYPE	4.000	C308, C309, C408, C409
74	H-MFB-563P5T1	CAP/M-FILM 563/63V	BOX FILM 563 TP TYPE	2.000	C111, C221
75	H-MFB-563P5T1	CAP/M-FILM 563/63V	BOX FILM 563 TP TYPE	2.000	C311, C411



PART LIST

NO	CODE	NAME	STAN	Q'TY	REMARK
76	H-MFB-683P5T1	CAP/M-FILM 683/63V	BOX FILM 683 TP TYPE	2.000	C115, C215
77	H-MFB-683P5T1	CAP/M-FILM 683/63V	BOX FILM 683 TP TYPE	2.000	C315, C415
78	H-MOS-44----4	MOSFET FQP50N06	N-CH TO220	12.000	Q23, Q23A, Q24, Q24A, Q25, Q25A
79	H-MOS-44----4	MOSFET FQP50N06	N-CH TO220	0.000	Q26, Q26A, Q27, Q27A, Q28, Q28A
80	H-MYR-222T--2	MYLAR 222 (0.0022/50)	TP TYPE "J"	2.000	C7, C7A
81	H-MYR-472T--2	MYLAR 472 (0.0047/50)	TP TYPE "J"	1.000	C22
82	H-PBA-9104PP1	MAIN PCB FP-1404M	258X160 XPC	1.000	
83	H-PBS-9104PP1	VOLUME PCB FP-1404VR	111.5X67 XPC	1.000	
84	H-PBS-9104PP2	SPEAKER PCB FP-1404SP	28X198.5 FR4	1.000	
85	H-PIN-16PS--5	PIN HEADER 2X8(16P)	SMRH-254D16T(L=3.5)	2.000	CN1, CN4
86	H-PTRC-5-23-2	RFC COIL TOROIDE	5UH 23mm 6PX8T	2.000	L1, L2
87	H-PTTO-40----4	P.T TOROIDE 40mm	FP-1002 5T/14T	2.000	T1, T2
88	H-R12-220---1	RESISTOR 1/2W 220		4.000	R157, R257, C357, C457
89	H-R12-27----1	RESISTOR 1/2W 27		4.000	R20, R20A, R21, R21A
90	H-R14-13----1	RESISTOR 1/4W 1K		5.000	R3, R3A, R4, R4A, R99
91	H-R14-47----1	RESISTOR 1/4W 47		12.000	R5, R5A, R6, R6A, R7, R7A
92	H-R14-47----1	RESISTOR 1/4W 47		0.000	R10, R10A, R11, R11A
93	H-R14-47----1	RESISTOR 1/4W 47		0.000	R12, R12A
94	H-R18-100---1	RESISTOR 1/8W 100		16.000	R143, R144, R145, R146,
95	H-R18-100---1	RESISTOR 1/8W 100		0.000	R243, R244, R245, R246
96	H-R18-100---1	RESISTOR 1/8W 100		0.000	R343, R344, R345, R346
97	H-R18-100---1	RESISTOR 1/8W 100		0.000	R443, R444, R445, R446
98	H-R18-1003--1	RESISTOR 1/8W 100K		12.000	R36, R41, R117, R121, R124,
99	H-R18-1003--1	RESISTOR 1/8W 100K		0.000	R217, R221, R224, R501
100	H-R18-1003--1	RESISTOR 1/8W 100K		0.000	R502, R503, R504

PART LIST

NO	CODE	NAME	STAN	Q'TY	REMARK
101	H-R18-1003--1	RESISTOR 1/8W 100K		6.000	R317, R321, R324, R417
102	H-R18-1003--1	RESISTOR 1/8W 100K		0.000	R421, R424
103	H-R18-103---1	RESISTOR 1/8W 10K		23.000	R25, R26, R28, R29, R30, R31
104	H-R18-103---1	RESISTOR 1/8W 10K		0.000	R37, R103, R104, R108, R120
105	H-R18-103---1	RESISTOR 1/8W 10K		0.000	R142, R203, R204, R208,
106	H-R18-103---1	RESISTOR 1/8W 10K		0.000	R220, R242, R303, R304
107	H-R18-103---1	RESISTOR 1/8W 10K		0.000	R342, R403, R404, R442
108	H-R18-103---1	RESISTOR 1/8W 10K		4.000	R308, R320, R408, R420
109	H-R18-112---1	RESISTOR 1/8W 1.1K		1.000	R110
110	H-R18-112---1	RESISTOR 1/8W 1.1K		1.000	R310
111	H-R18-113---1	RESISTOR 1/8W 11K		2.000	R112, R212
112	H-R18-113---1	RESISTOR 1/8W 11K		2.000	R312, R412
113	H-R18-123---1	RESISTOR 1/8W 12K		4.000	R118, R119, R218, R219
114	H-R18-123---1	RESISTOR 1/8W 12K		4.000	R318, R319, R418, R419
115	H-R18-13----1	RESISTOR 1/8W 1K		27.000	R1, R2, R42, R51, R52,
116	H-R18-13----1	RESISTOR 1/8W 1K		0.000	R101, R102, R149, R150
117	H-R18-13----1	RESISTOR 1/8W 1K		0.000	R154, R201, R202, R249
118	H-R18-13----1	RESISTOR 1/8W 1K		0.000	R250, R254, R301, R302
119	H-R18-13----1	RESISTOR 1/8W 1K		0.000	R349, R350, R354, R401
120	H-R18-13----1	RESISTOR 1/8W 1K		0.000	R402, R449, R450, R454
121	H-R18-13----1	RESISTOR 1/8W 1K		0.000	RL1, RL2
122	H-R18-1503--1	RESISTOR 1/8W 150K		4.000	R123, R125, R223, R225
123	H-R18-1503--1	RESISTOR 1/8W 150K		4.000	R323, R325, R423, R425
124	H-R18-153---1	RESISTOR 1/8W 15K		4.000	R166, R266, R366, R466
125	H-R18-16----1	RESISTOR 1/8W 1M		1.000	R35

PART LIST

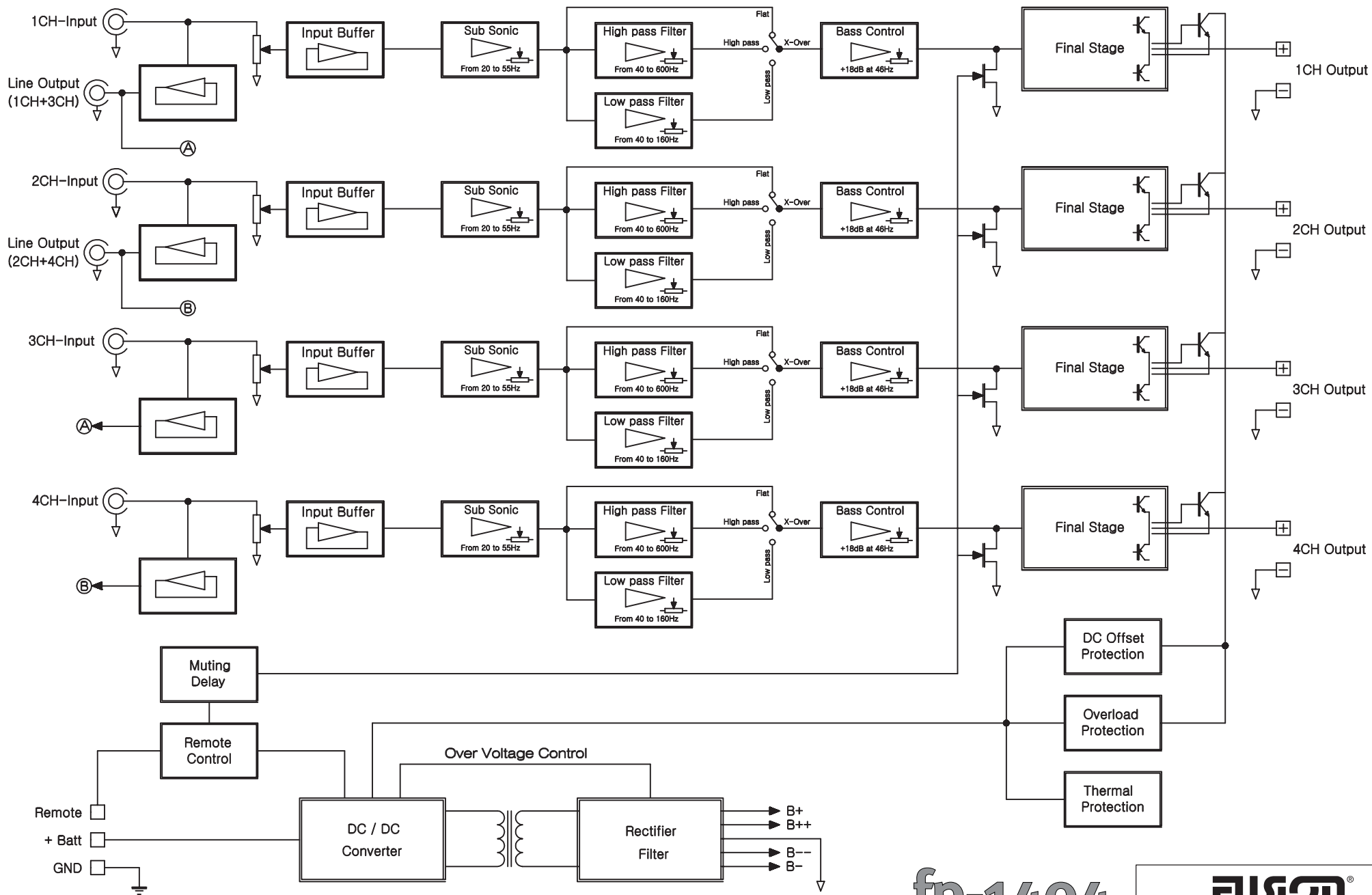
NO	CODE	NAME	STAN	Q'TY	REMARK
126	H-R18-163---1	RESISTOR 1/8W 16K		5.000	R32, R153, R253, R353, R453
127	H-R18-223---1	RESISTOR 1/8W 22K		12.000	R106, R114, R122, R167
128	H-R18-223---1	RESISTOR 1/8W 22K		0.000	R206, R214, R222, R267
129	H-R18-223---1	RESISTOR 1/8W 22K		0.000	R306, R367, R406, R467
130	H-R18-223---1	RESISTOR 1/8W 22K		4.000	R314, R322, R414, R412
131	H-R18-224---1	RESISTOR 1/8W 2.2K		10.000	R33, R34, R141, R164,
132	H-R18-224---1	RESISTOR 1/8W 2.2K		0.000	R241, R264, R341, R364
133	H-R18-224---1	RESISTOR 1/8W 2.2K		0.000	R441, R464
134	H-R18-273---1	RESISTOR 1/8W 27K		1.000	R507
135	H-R18-33----1	RESISTOR 1/8W 3K		1.000	R38
136	H-R18-333---1	RESISTOR 1/8W 33K		2.000	R53, R54
137	H-R18-393---1	RESISTOR 1/8W 39K		1.000	R506
138	H-R18-432---1	RESISTOR 1/8W 4.3K		2.000	R115, R215
139	H-R18-432---1	RESISTOR 1/8W 4.3K		2.000	C315, C415
140	H-R18-4703--1	RESISTOR 1/8W 470K		1.000	R505
141	H-R18-47----1	RESISTOR 1/8W 47		8.000	R151, R152, R251, R252
142	H-R18-47----1	RESISTOR 1/8W 47		0.000	R351, R352, R451, R452
143	H-R18-473---1	RESISTOR 1/8W 47K		6.000	R105, R113, R205, R213
144	H-R18-473---1	RESISTOR 1/8W 47K		0.000	R305, R405
145	H-R18-473---1	RESISTOR 1/8W 47K		2.000	R313, R413
146	H-R18-474---1	RESISTOR 1/8W 4.7K		7.000	R27, R126, R155, R226
147	H-R18-474---1	RESISTOR 1/8W 4.7K		0.000	R255, R355, R455
148	H-R18-474---1	RESISTOR 1/8W 4.7K		2.000	C326, C426
149	H-R18-680---1	RESISTOR 1/8W 680		8.000	R162, R163, R262, R263
150	H-R18-680---1	RESISTOR 1/8W 680		0.000	R362, R363, R462, R463

PART LIST

NO	CODE	NAME	STAN	Q'TY	REMARK
151	H-R18-750---1	RESISTOR 1/8W 750		2.000	R107, R207
152	H-R18-750---1	RESISTOR 1/8W 750		2.000	R307, R407
153	H-R18-824---1	RESISTOR 1/8W 8.2K		14.000	R116, R140, R147, R148,
154	H-R18-824---1	RESISTOR 1/8W 8.2K		0.000	R216, R240, R247, R248
155	H-R18-824---1	RESISTOR 1/8W 8.2K		0.000	R340, R347, R348, R440
156	H-R18-824---1	RESISTOR 1/8W 8.2K		0.000	R447, R448
157	H-R18-824---1	RESISTOR 1/8W 8.2K		2.000	C316, C416
158	H-R18-913---1	RESISTOR 1/8W 91K		1.000	R211
159	H-R18-913---1	RESISTOR 1/8W 91K		1.000	R411
160	H-R18-914---1	RESISTOR 1/8W 9.1K		1.000	R111
161	H-R18-914---1	RESISTOR 1/8W 9.1K		1.000	R311
162	H-R18F-214--1	RESISTOR F1/8W 2.1K		4.000	R156, R256, R356, R456
163	H-R18F-283--1	RESISTOR F1/8W 28K		2.000	R39, R40
164	H-R1WM-22---2	RESISTOR 1W 22	M TYPE	2.000	R22, R22A
165	H-R1WM-472--3	RESISTOR 1W 4.7	R TYPE	4.000	R165, R265, R365, R465
166	H-R3WM-220--2	RESISTOR 3W 220	M TYPE	2.000	R23, R24
167	H-R5WM-015--3	RESISTOR MPR 5W 0.15	2P ROUND 16X8X18	16.000	R158, R159, R160, R161, R258
168	H-R5WM-015--3	RESISTOR MPR 5W 0.15	2P ROUND 16X8X18	0.000	R259, R260, R261, R358, R359
169	H-R5WM-015--3	RESISTOR MPR 5W 0.15	2P ROUND 16X8X18	0.000	R360, R458, R459, R460, R461
170	H-R5WM-015--3	RESISTOR MPR 5W 0.15	2P ROUND 16X8X18	0.000	R361
171	H-STRG-3PG-13	TERMINAL SCREW	DKPT03300 3P GOLD	1.000	TER2
172	H-STRG-8PG--2	TERMINAL SCREW	DK082314 8P GOLD	1.000	TER1
173	H-SWS-2301--3	SW SL SK23E01G6	2C3P 6mm	1.000	SW1
174	H-SWS-2301--3	SW SL SK23E01G6	2C3P 6mm	1.000	SW2
175	H-THM-150K--2	THERMISTOR 150K	"LUG"	1.000	TH1

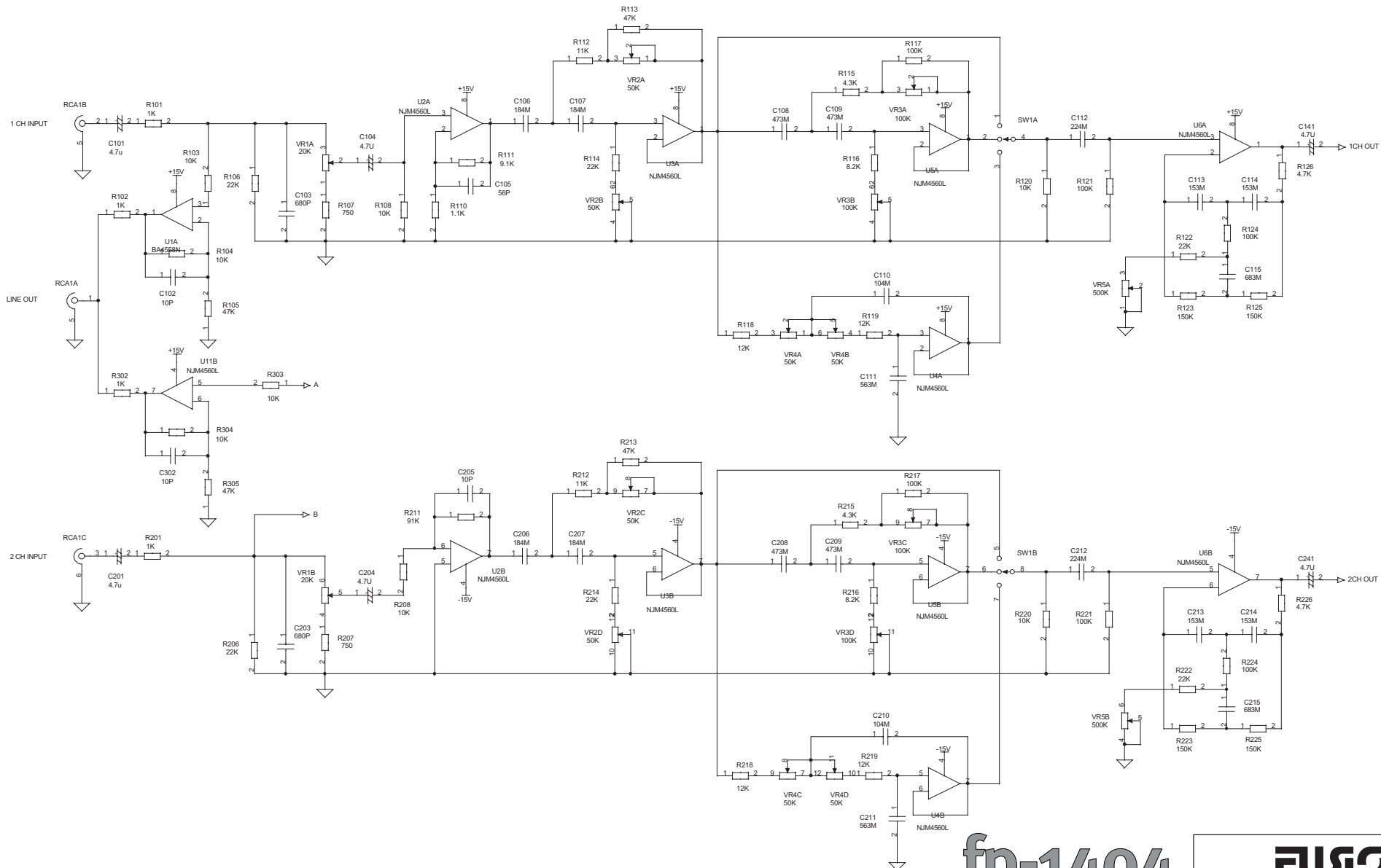
PART LIST

NO	CODE	NAME	STAN	Q'TY	REMARK
176	H-TR-1023YT-1	TR KTA1023Y	TP TYPE	5.000	Q16, Q105, Q205, Q305, Q405
177	H-TR-1027YT-1	TR KTC1027Y	TP TYPE	4.000	Q106, Q206, Q306, Q406
178	H-TR-1266GT-1	TR KTA1266GR	TP TYPE	1.000	Q17
179	H-TR-1266YT-1	TR KTA1266Y	TP TYPE	12.000	Q1, Q1A, Q2, Q2A, Q102
180	H-TR-1266YT-1	TR KTA1266Y	TP TYPE	0.000	Q104, Q202, Q204, Q302
181	H-TR-1266YT-1	TR KTA1266Y	TP TYPE	0.000	Q304, Q402, Q404
182	H-TR-1367Y--1	TR KTB1367Y		4.000	Q109, Q209, Q309, Q409
183	H-TR-2059Y--1	TR KTD2059Y		4.000	Q108, Q208, Q308, Q408
184	H-TR-3112B--1	TR KTC3112B		4.000	Q107, Q207, Q307, Q407
185	H-TR-3198YT-1	TR KTC3198Y	TP TYPE	15.000	Q15, Q18, Q19, Q101, Q103,
186	H-TR-3198YT-1	TR KTC3198Y	TP TYPE	0.000	Q121, Q201, Q203, Q221
187	H-TR-3198YT-1	TR KTC3198Y	TP TYPE	0.000	Q301, Q303, Q321, Q401
188	H-TR-3198YT-1	TR KTC3198Y	TP TYPE	0.000	Q403, Q421
189	H-TR-688----1	TR KTB688-0		8.000	Q111, Q113, Q211, Q213
190	H-TR-688----1	TR KTB688-0		0.000	Q311, Q313, Q411, Q413
191	H-TR-718----1	TR KTD718-0		8.000	Q110, Q112, Q210, Q212
192	H-TR-718----1	TR KTD718-0		0.000	Q310, Q312, Q410, Q412
193	H-TR-K30AT--1	TR K30A	TP TYPE	5.000	Q501, Q502, Q503, Q504, C506
194	H-VR953B20--1	RTVR 3B20K	RV095GBC015RS3B20K	1.000	VR1
195	H-VR953B20--1	RTVR 3B20K	RV095GBC015RS3B20K	1.000	VR11
196	H-VR953B500-1	RTVR 3B500K	RV095GBC015RS3B500K	1.000	VR5
197	H-VR953B500-1	RTVR 3B500K	RV095GBC015RS3B500K	1.000	VR15
198	H-VR9543B1001	RTVR 3B100K	RV0954GBC015RS3B100K	1.000	VR3
199	H-VR9543B1001	RTVR 3B100K	RV0954GBC015RS3B100K	1.000	VR13
200	H-VR9543B50-1	RTVR 3B50K	RV0954GBC015RS3B50K	2.000	VR2, VR4



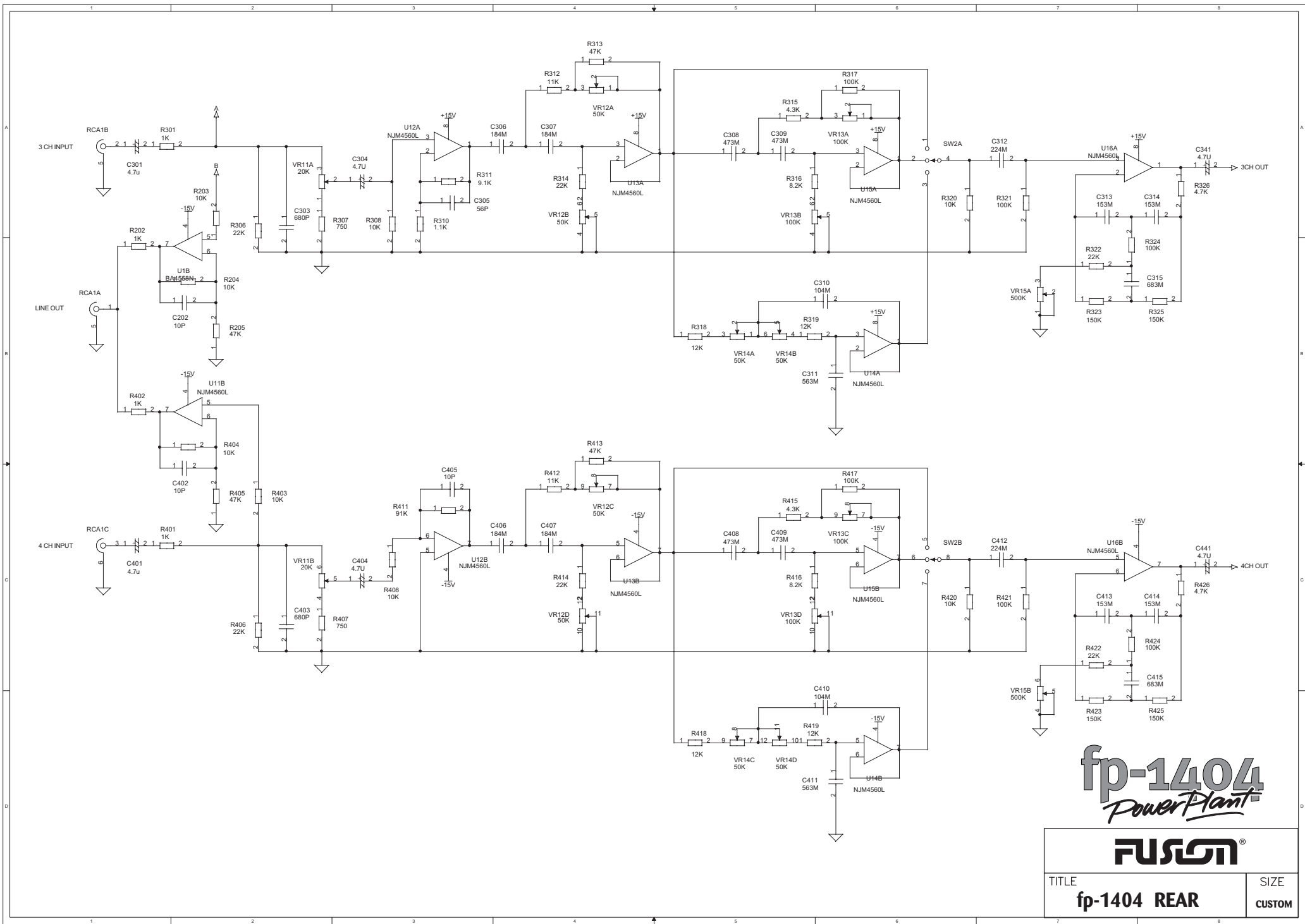
fp-1404
PowerPlant

FUSION
TITLE
fp-1404 BLOCK DIAGRAM



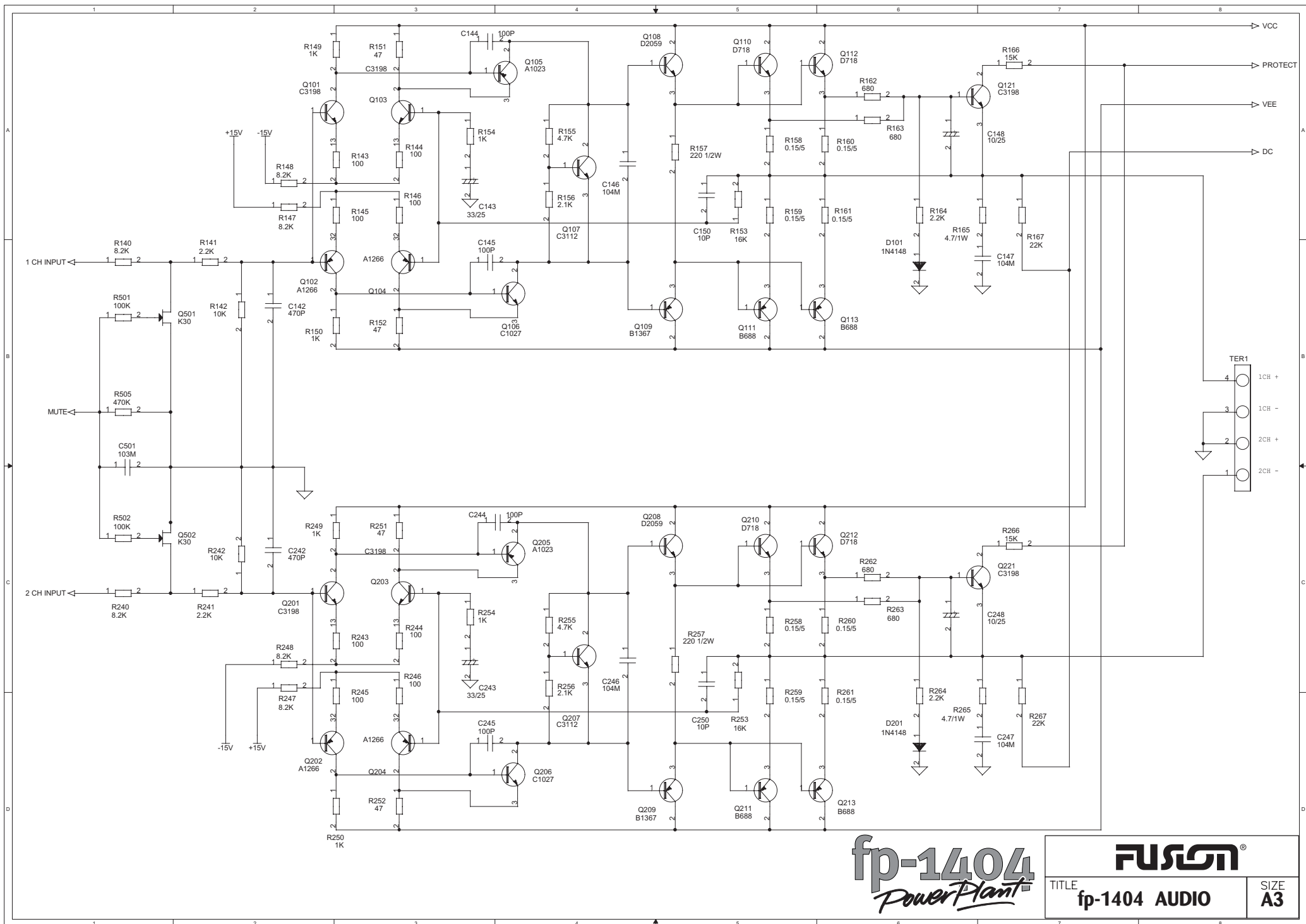
fp-1404
PowerPlant

FUSON [®]	
TITLE	SIZE
fp-1404 FRONT	CUSTOM



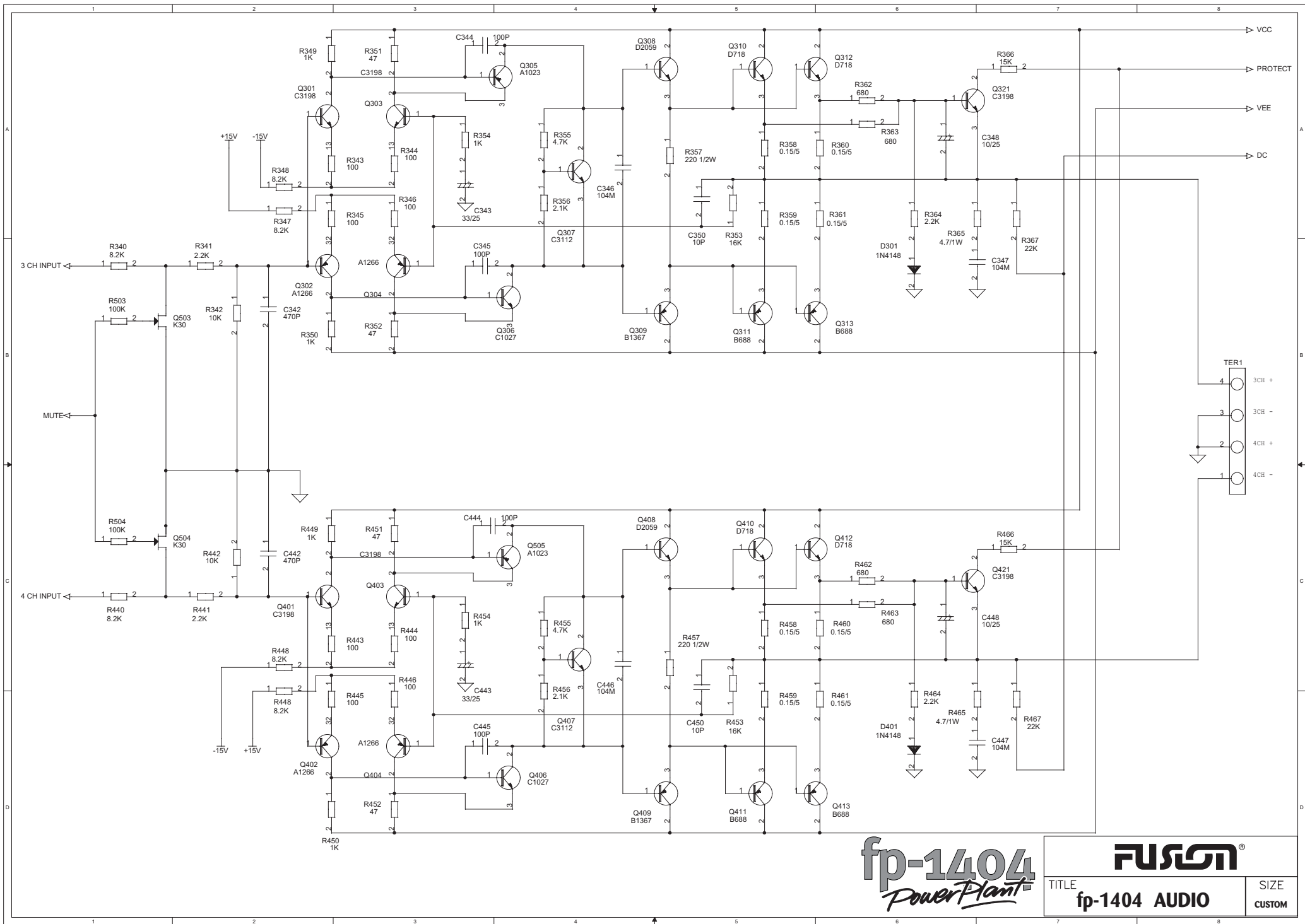
fp-1404
PowerPlant

FUSON®	
TITLE	SIZE
fp-1404 REAR	CUSTOM



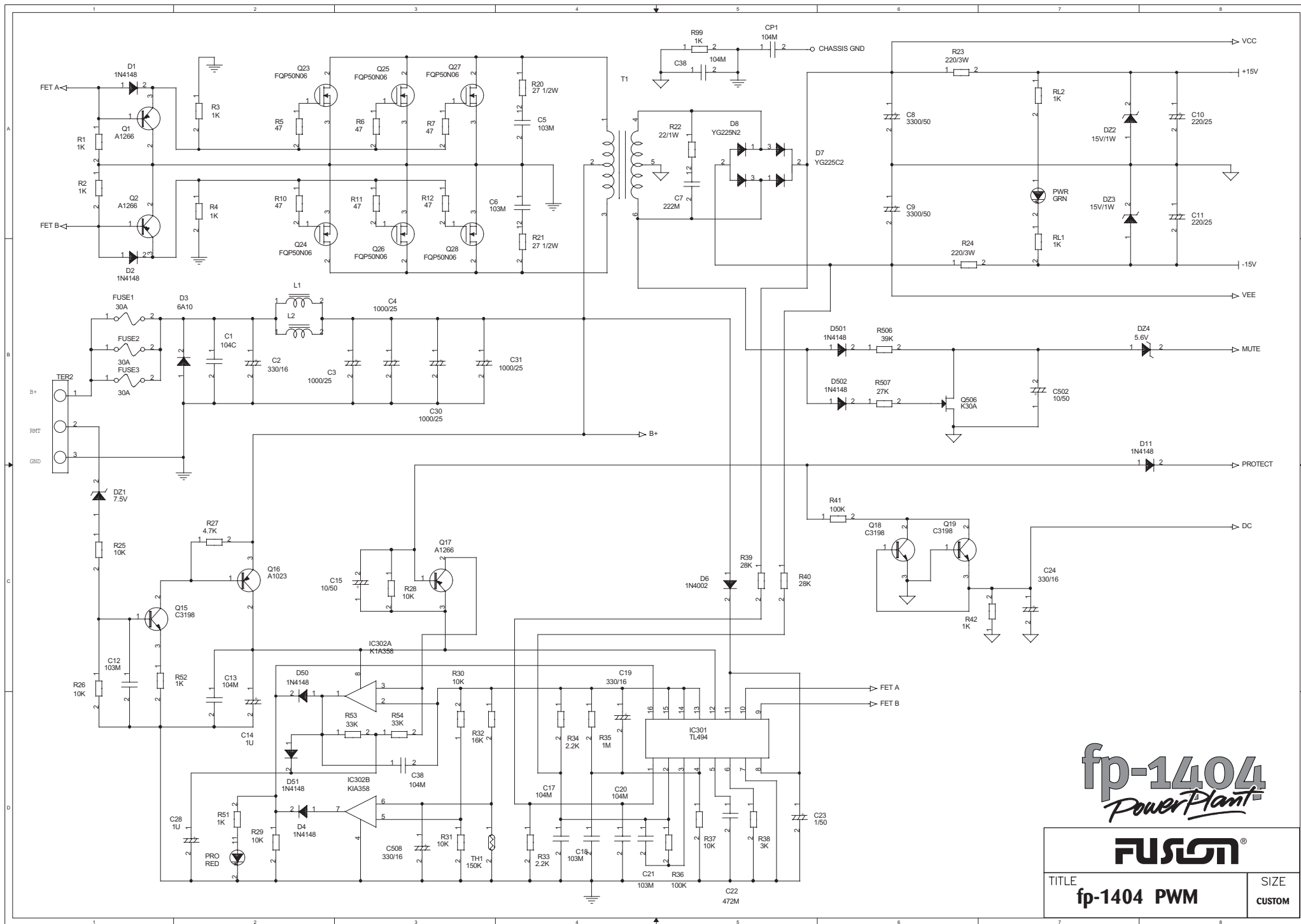
fp-1404
PowerPlant

FUSION	
TITLE	SIZE
fp-1404 AUDIO	A3



fp-1404
PowerPlant

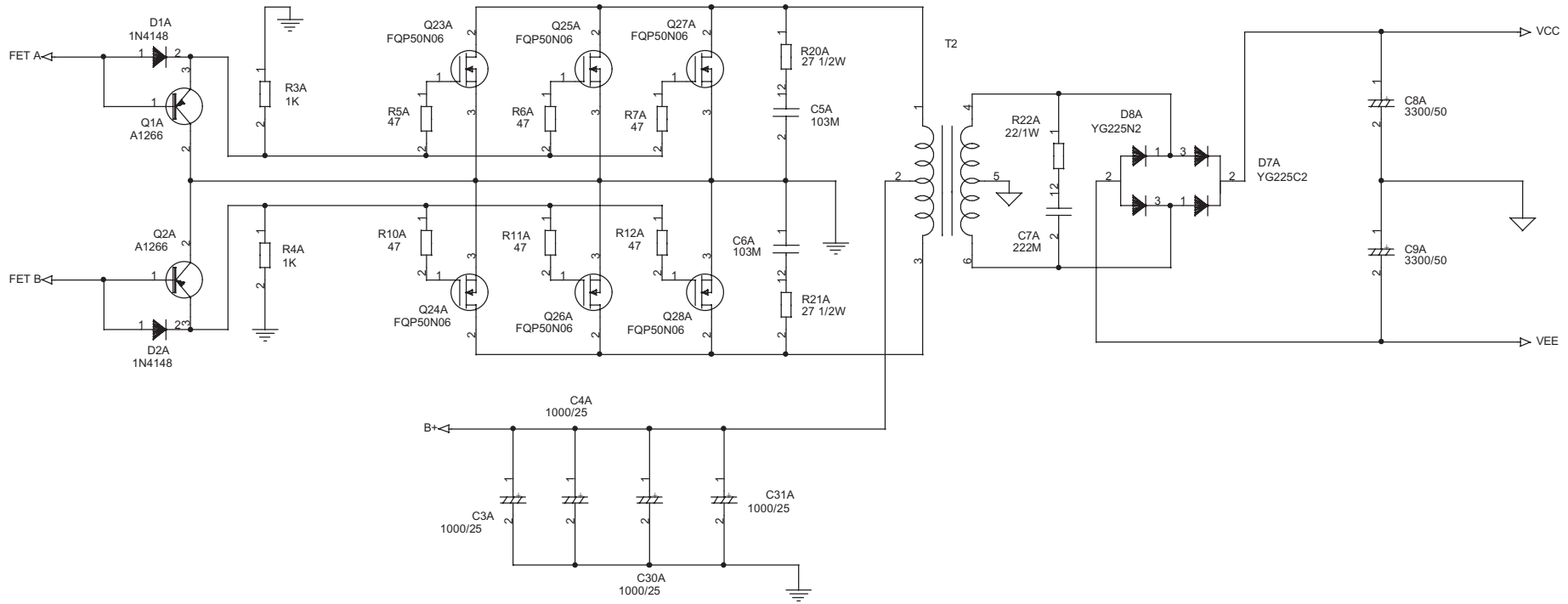
FUSON®	
TITLE	SIZE
fp-1404 AUDIO	CUSTOM



fp-1404
PowerPlant

FUSION

TITLE	SIZE
fp-1404 PWM	CUSTOM

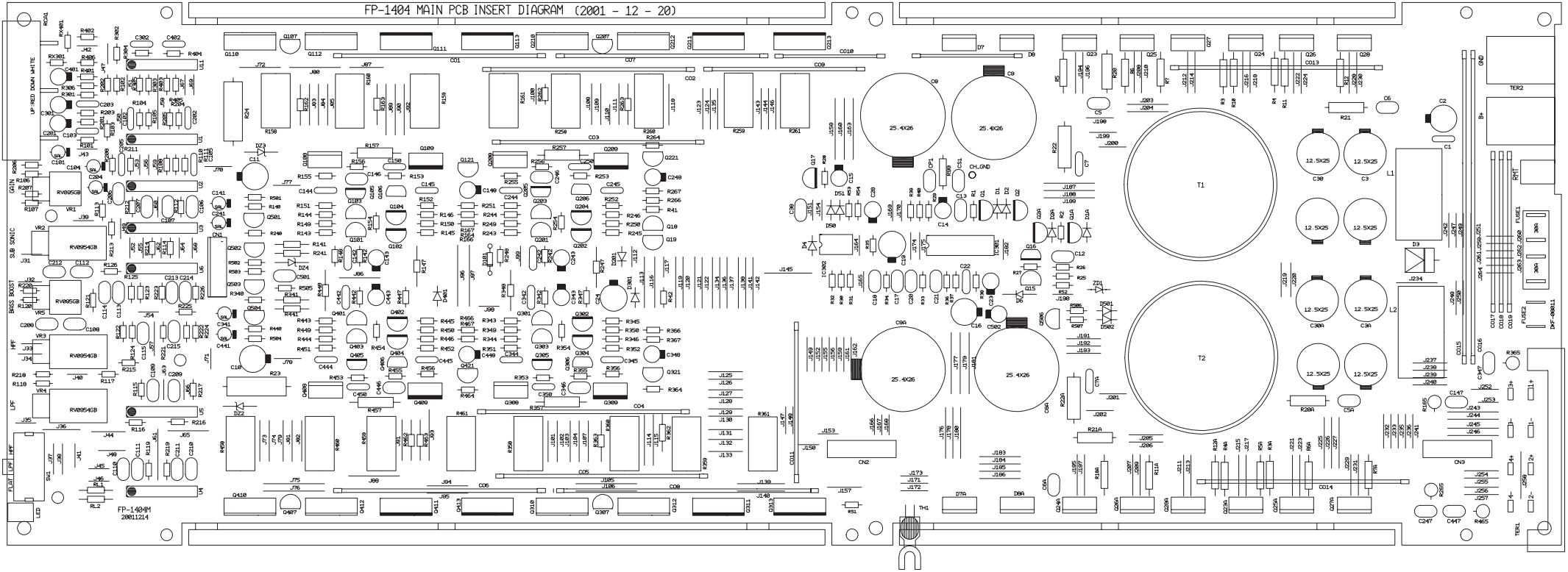


fp-1404
PowerPlant

FUSION [®]	
TITLE	SIZE
fp-1404 PWM	CUSTOM

fp-1404 PowerPlant

FP-1404 MAIN PCB INSERT DIAGRAM (2001 - 12 - 20)

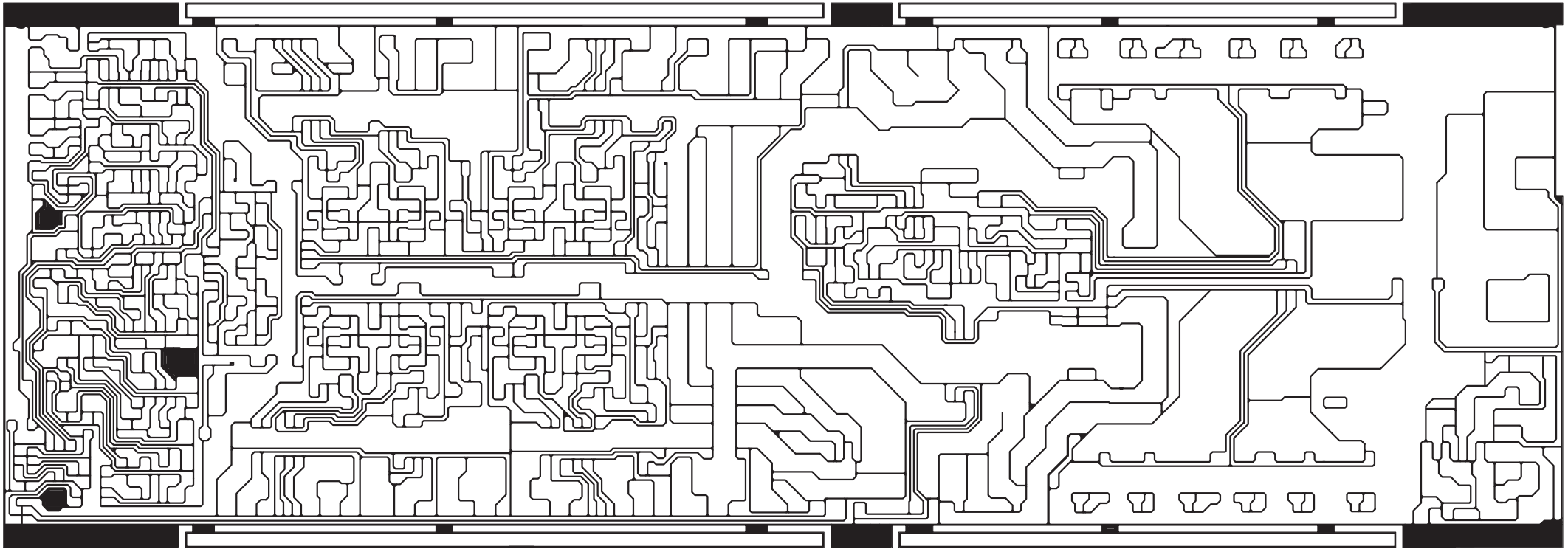


FUSION[®]

TITLE
fp-1404 PCB BOARD

SIZE
A2

fp-1404
PowerPlant



FUSION[®]

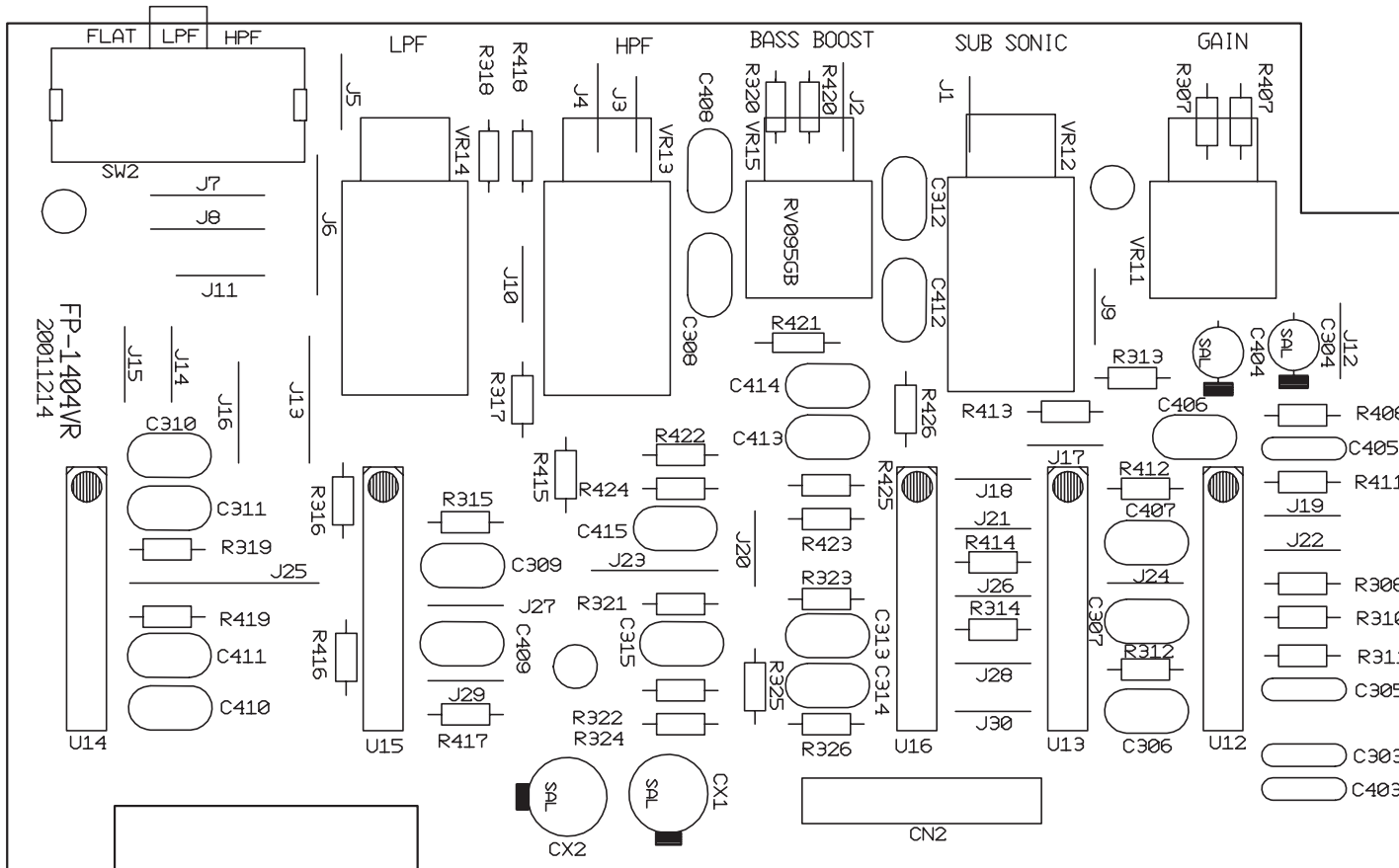
TITLE

fp-1404 PCB BOARD

SIZE

A2

fp-1404 PowerPlant



FUSION[®]

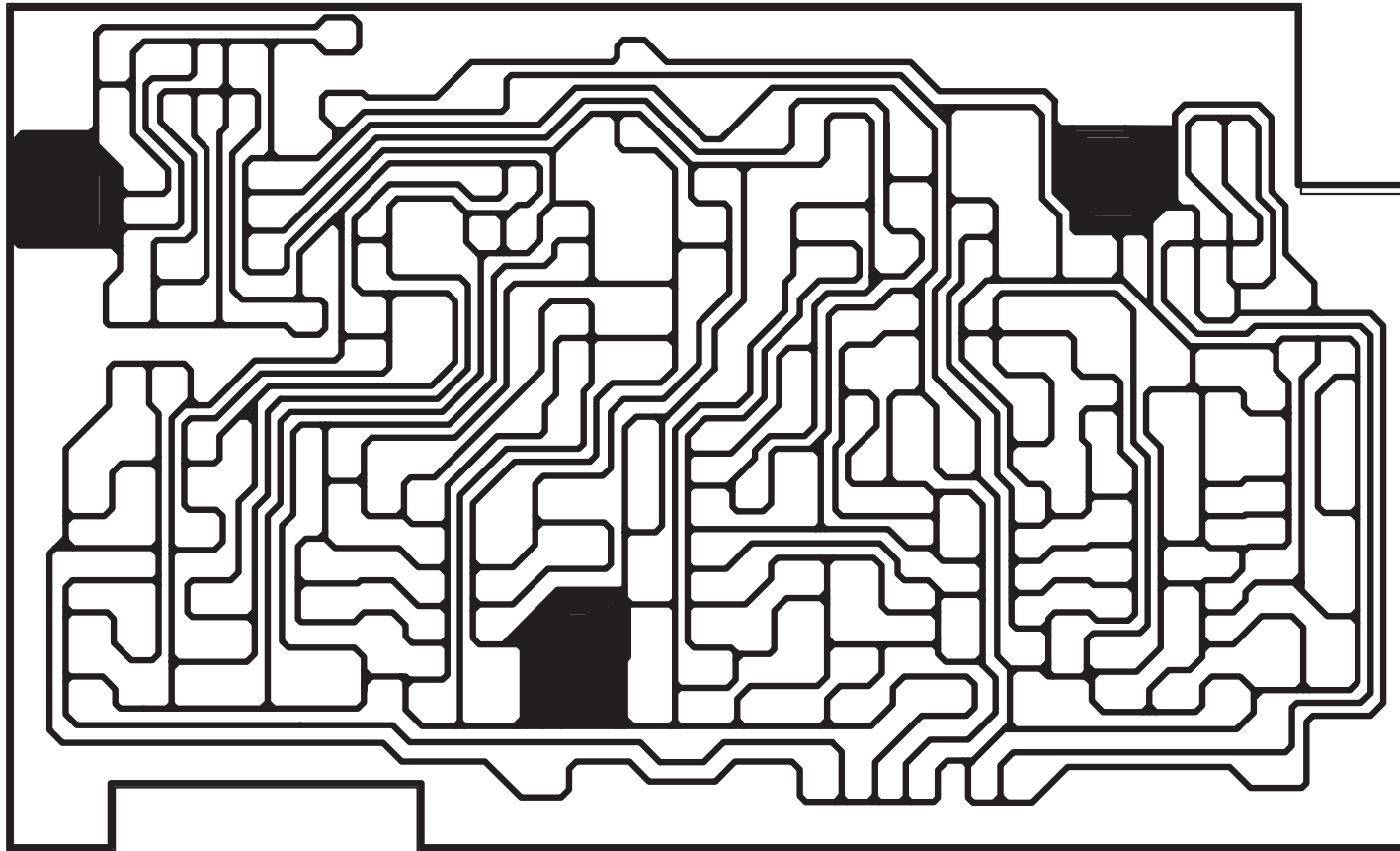
TITLE

fp-1404 PCB BOARD-VR

SIZE

A4

fp-1404
PowerPlant



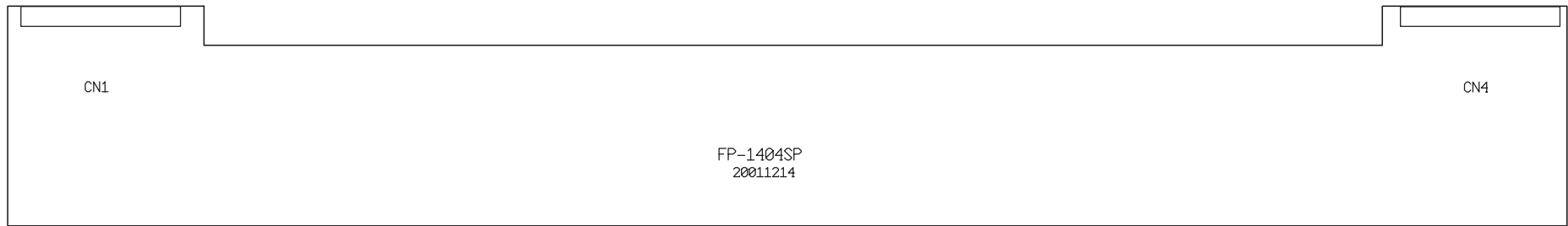
FUSION[®]

TITLE
fp-1404 PCB BOARD-VR

SIZE
A4

fp-1404

PowerPlant

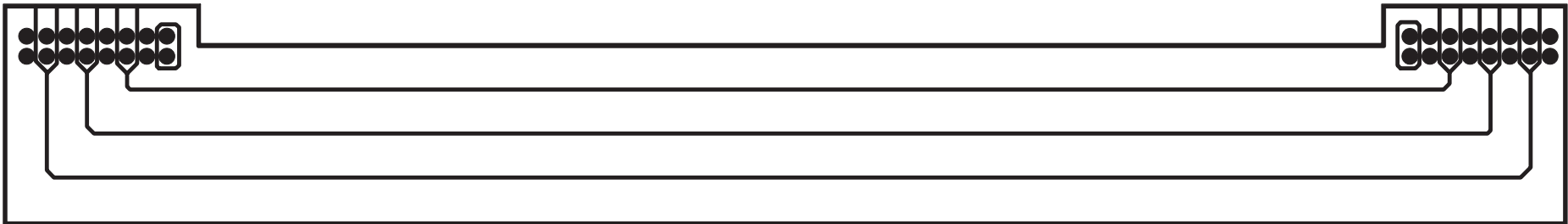


FUSION[®]

TITLE
fp-1404 PCB BOARD-SP

SIZE
A3

fp-1404
PowerPlant

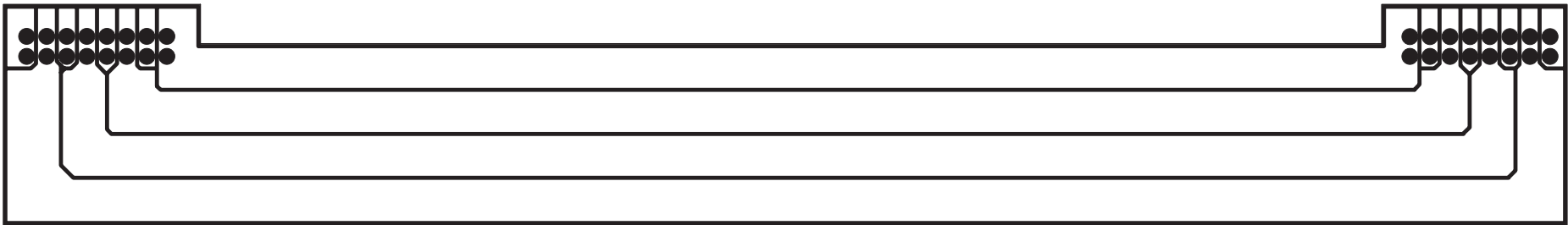


FUSION[®]

TITLE
fp-1404 PCB BOARD-SP

SIZE
A3

fp-1404
PowerPlant



FUSION[®]

TITLE
fp-1404 PCB BOARD-SP

SIZE
A3