

# PARTS LIST

[ KD-SH909R ]

\* All printed circuit boards and its assemblies are not available as service parts.

## Area suffix

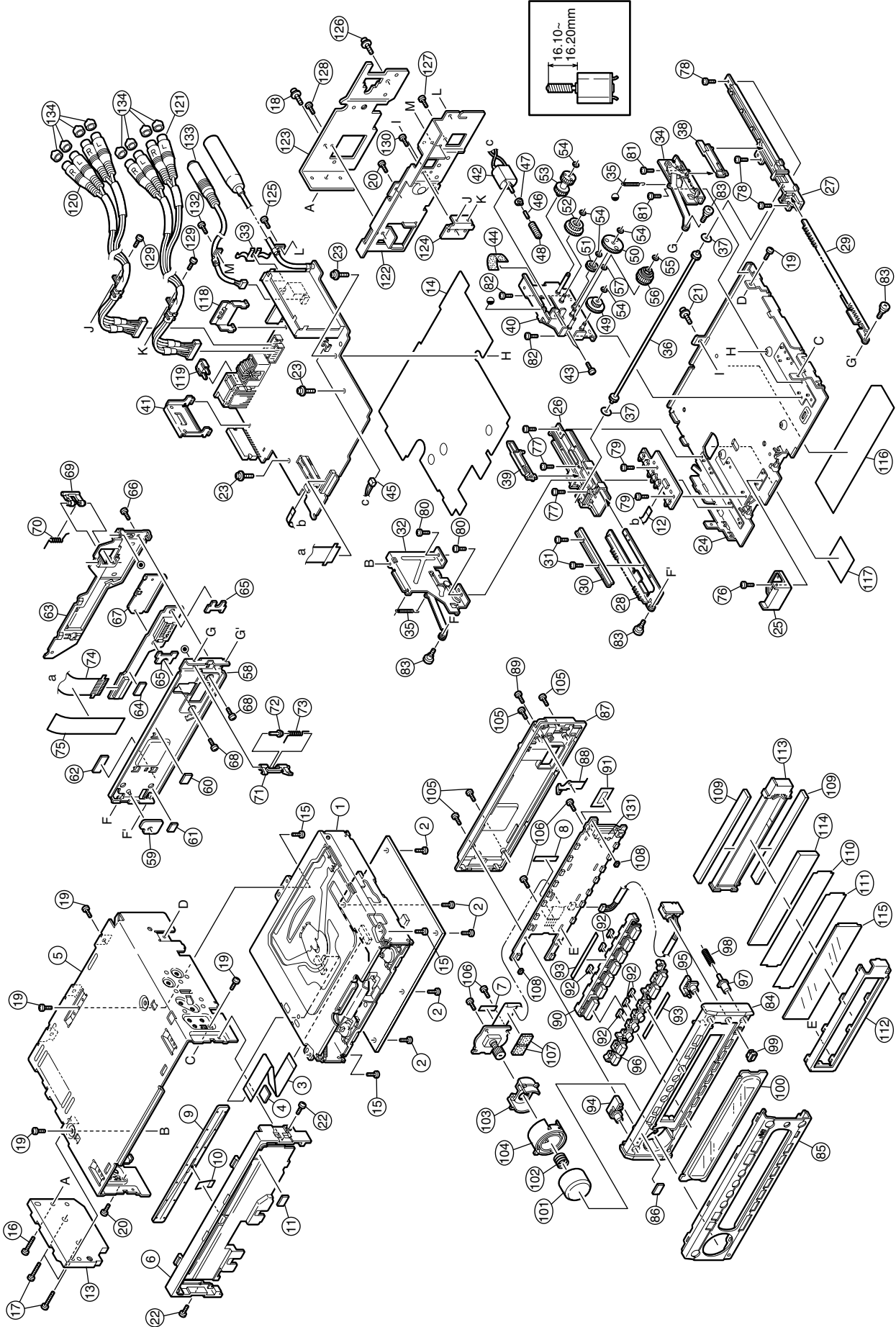
E ----- Continental Europe  
EX ----- Central Europe

## - Contents -

Exploded view of general assembly and parts list (Block No.M1) .....	3- 2
CD mechanism assembly and parts list (Block No.MB) .....	3- 6
Electrical parts list (Block No.01~04) .....	3- 9
Packing materials and accessories parts list (Block No.M3,M5) .....	3-20

# Exploded view of general assembly and parts list

Block No. **M** **1** **M** **M**



## ■ Parts list (General assembly)

Block No. M1MM

△	Item	Parts number	Parts name	Q'ty	Description	Area
	1	-----	CD MECHA	1		
	2	QYSDST2004Z	SCREW	5		
	3	QUQ105-2207AE	FFC WIRE	1		
	4	VYSH101-009	SPACER	1		
	5	LV10461-001A	TOP CHASSIS	1		
	6	LV32559-003B	FRONT CHASS ASSY	1		
	7	LV41194-001A	SHEET	1		
	8	LV30225-0A1A	SPACER	1		
	9	LV40828-003A	BLIND	1		
	10	LV42419-001A	LENS SHEET	1		
	11	LV40846-017A	SPACER(F)	1		
	12	WJT0057-001A	E CARD WIRE	1		
	13	LV32451-001A	SIDE HEAT SINK	1		
	14	LV32452-001B	INSULATOR	1		
	15	QYSDST2604Z	SCREW	3	T.CHAS+CD MECHA	
	16	QYSDSF2610Z	TAPPING SCREW	1	T.CHAS+S HEAT SINK	
	17	LV41200-003A	SPECIAL SCREW	3	T.CHAS+S HEAT SINK	
	18	LV41200-003A	SPECIAL SCREW	1	T.CHASS+REAR	
	19	QYSDST2604Z	SCREW	5	T.CHAS+B.CHASSIS	
	20	QYSDST2604Z	SCREW	2	T.CHAS+R.BKT	
	21	LV41200-001A	SPECIAL SCREW	1	BOTTOM CHA.+REAR	
	22	QYSPSP2003M	SCREW	2	T.CHAS+F.COVER	
	23	LV41200-001A	SPECIAL SCREW	3	MAIN PWB+BOTTOM	
	24	LV10463-002A	BOTTOM CHASSIS	1		
	25	LV32453-001A	FPC GUIDE	1		
	26	LV20929-001A	GUIDE RAIL(L)	1		
	27	LV20930-001A	GUIDE RAIL(R)	1		
	28	LV42239-001A	S PLATE(L) ASSY	1		
	29	LV42240-001A	S PLATE(R) ASSY	1		
	30	LV42104-001A	DETECT PLATE	1		
	31	QYSPSPU1725M	SCREW	2	DET.PL+S.PL(L)	
	32	LV32569-003A	A BKT ASS'Y(L)	1		
	33	VMA4652-001SS	EARTH PLATE	1		
	34	LV32570-001A	A BKT ASS'Y(R)	1		
	35	LV42112-001A	TENS SPG(L)	2		
	36	LV32459-001A	ROD GEAR(SH)	1		
	37	QYWFL259013-0	WASHER	2	BLACK	
	38	LV32530-001A	GUIDE BLOCK(R)	1		
	39	LV32531-001A	GUIDE BLOCK(L)	1		
	40	LV32460-001A	MOTOR BKT ASS'Y	1		
	41	LV42297-001A	IC BRACKET	1		
	42	QAR0182-001	MOTOR(FEED)	1		
	43	QYSPSPT2020Z	MINI SCREW	2	MOTOR+MOTOR BKT	
	44	LV40847-002A	SPACER	1		
	45	WJM0204-001A	E-SI C WIRE C-F	1		
	46	LV42455-001A	SHAFT	1		
	47	LV42437-001A	ROTOR	1		
	48	LV42436-001A	WORM GEAR	1		

## ■ Parts list (General assembly)

Block No. M1MM

△	Item	Parts number	Parts name	Q'ty	Description	Area
	49	LV42115-003A	GEAR S1	1		
	50	LV42116-002A	GEAR S2	1		
	51	LV42117-001A	GEAR S3	1		
	52	LV42118-002A	GEAR S4	1		
	53	LV42119-001A	GEAR S5	1		
	54	WDM215025	WASHER	5	FOR GEAR S1-S5	
	55	WDM214540	WASHER	1	FOR CLUTCH ASSY	
	56	LV30981-005A	CLUTCH ASSY	1		
	57	QYWFL266010-9	WASHER	1	WHITE	
	58	LV32558-001A	FRONT BKT ASSY	1		
	59	LV42394-001A	ABSORBER	1		
	60	LV40846-022A	SPACER(F)	1		
	61	LV40846-018A	SPACER(F)	1		
	62	LV40846-022A	SPACER(F)	1		
	63	LV20933-002A	CONECTOR COVER	1		
	64	LV40846-018A	SPACER(F)	1		
	65	LV42534-001A	CONNECT PTN	2		
	66	QYSPSPU1730M	SCREW	1		
	67	LV32461-001A	REINFORCE PLATE	1		
	68	QYSPSP2003M	SCREW	2		
	69	LV32462-001A	OPEN LEVER	1		
	70	LV42122-001A	TORSION SPRING	1	FOR OPEN LEVER	
	71	LV32463-001A	DETACH LEVER	1		
	72	LV42123-001A	DTCH LVR SHAFT	1		
	73	LV42124-001A	TORSION SPRING	1	FOR DTCH LEVER	
	74	QAL0314-002	FPC	1		
	75	LV42420-001A	FPC SHEET	1		
	76	LV40865-001A	MINI SCREW	1	FPC GUIDE+BOT.C	
	77	LV40865-001A	MINI SCREW	3	G.RAIL(L)+BOT.C	
	78	LV40865-001A	MINI SCREW	3	G.RAIL(R)+BOT.C	
	79	LV40865-001A	MINI SCREW	2	DET.SW PWB+BO.C	
	80	LV40865-001A	MINI SCREW	2	ARM BKT(L)+BO.C	
	81	LV40865-001A	MINI SCREW	2	ARM BKT(R)+BO.C	
	82	LV40865-001A	MINI SCREW	2	MOTOR BKT+BOT.C	
	83	LV42181-002A	SPECIAL SCREW	4	ARM+PANEL BKT	
	84	LV10464-005C	FRONT PANEL	1		
	85	LV21211-004A	AL PANEL	1		
	86	LV30225-0A1A	SPACER	1		
	87	LV10465-001A	REAR COVER	1		
	88	LV42127-006A	EARTH SPRING R	1		
	89	QYSPSPU1730M	SCREW	1	FOR E.SPRING	
	90	LV20934-001A	PRESET BUTTON	1		
	91	LV42456-001A	SW PWB SHEET	1		
	92	LV42457-001A	BUTTON SHEET	6		
	93	LV40848-024A	SPACER(P)	2		
	94	LV32557-001A	PUSH BUTTON(L)	1		
	95	LV32466-001A	PUSH BUTTON(R)	1		
	96	LV20936-009A	D.FUNC BUTTON	1		

## ■ Parts list (General assembly)

Block No. M1MM

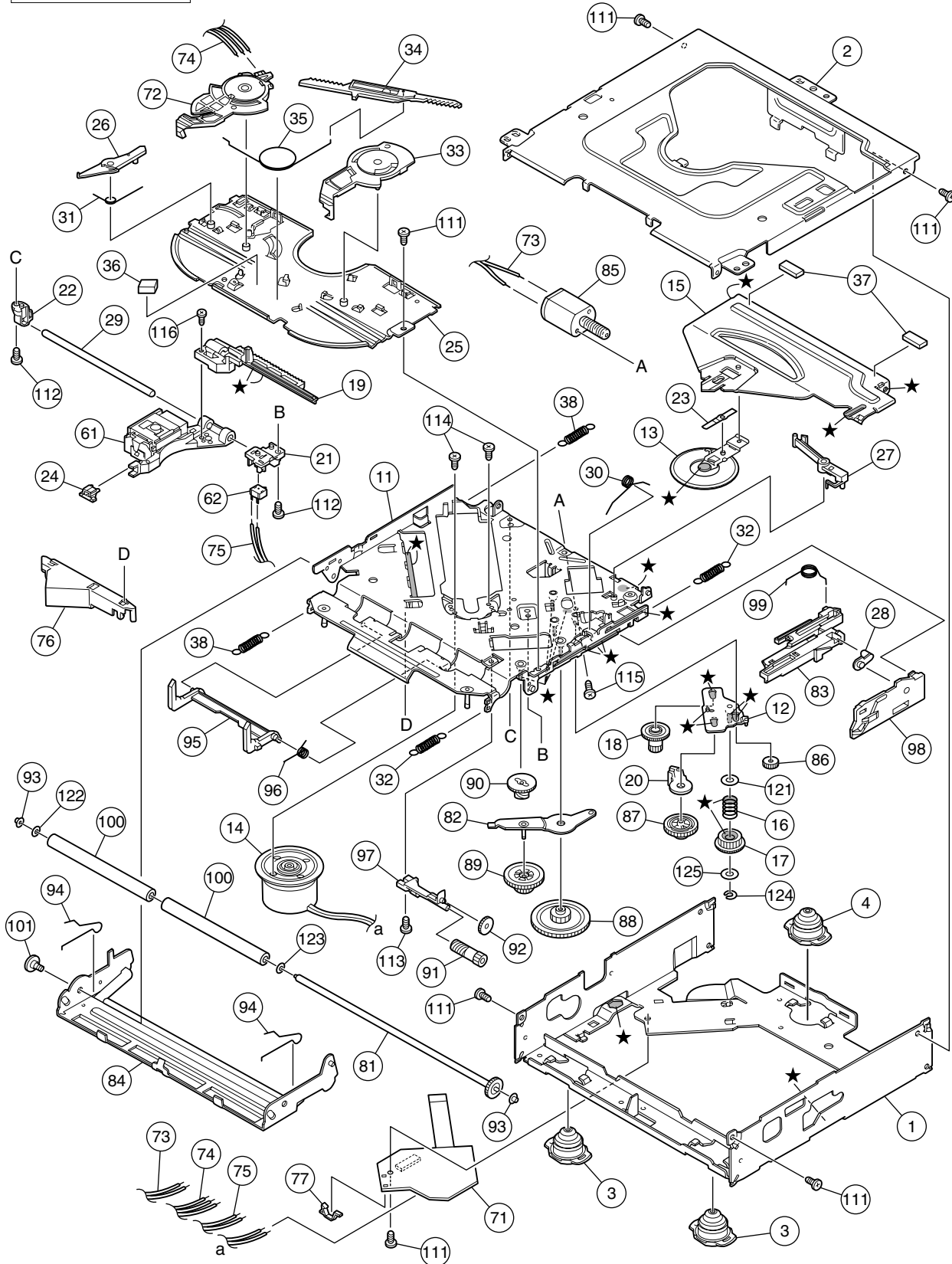
△	Item	Parts number	Parts name	Q'ty	Description	Area
	97	LV32467-002A	DETACH BUTTON	1		
	98	LV42128-001A	COMP. SPRING	1		
	99	LV42129-001A	REMOTE LENS	1		
	100	LV21209-002A	FINDER	1		
	101	LV33357-001A	VOL.KNOB ASS'Y	1		
	102	LV42386-001A	COMP.SPRING	1		
	103	LV32469-001A	RING LENS	1		
	104	LV32556-004A	VOL.RING	1		
	105	VKZ4777-001	MINI SCREW	4	F.PANEL+REAR CV	
	106	VKZ4777-001	MINI SCREW	4	F.PANEL+SW.PWB	
	107	VYSH101-009	SPACER	2		
	108	LV40846-016A	SPACER(F)	2		
	109	QNZ0568-001	RUBBER CONNECT	2		
	110	LV42959-001A	LCD FILTER	1		
	111	LV42960-001A	BRIGHT SHEET	1		
	112	LV32447-001A	LCD CASE	1		
	113	LV33354-001A	LIGHTING CASE	1		
	114	LV33355-001A	LIGHTING LENS	1		
	115	QLD0228-001	LCD MODULE	1		
	116	LV33389-001A	NAME PLATE	1		
	117	LV41143-001A	SHEET	1		
	118	LV41993-001A	REG BKT	1		
△	119	QMFZ039-150-T	FUSE	1		
	120	QAM0412-001	PIN CORD ASS'Y	1		
	121	QAM0413-001	CAR CABLE	1		
	122	LV30943-202A	REAR BRACKET	1		
	123	LV30946-006A	REAR HEAT SINK	1		
	124	LV40790-002A	PIN CORD BRKT	1		
	125	QYSDST2604Z	SCREW	1	ANT.+REAR.BKT	
	126	LV41200-003A	SPECIAL SCREW	1	REG.BKT+REAR.BKT	
	127	QYSDST2606Z	SCREW	1	CHANGER CO.+REAR	
	128	QYSDST2606Z	SCREW	1	REAR HEAT SINK+R.BKT	
	129	QYSDST2604Z	SCREW	2	CORD BKT+PIN CORD	
	130	QYSDST2604Z	SCREW	1	CORD BKT+REAR B	
	131	LV33356-001A	LED HOLDER	1		
	132	QYSDST2604Z	SCREW	1	DVD CONT+REAR B	
	133	QAM0237-001	CAR CABLE	1		
	134	GE40101-001A	PIN CAP	8		

# CD mechanism assembly and parts list

Block No. M B M M

TN-2001-1003

Grease  
★ TNG-87



## ■ Parts list (CD mechanism)

Block No. MBMM

△	Item	Parts number	Parts name	Q'ty	Description	Area
	1	30320101T	FRAME	1		
	2	30320102T	TOP COVER	1		
	3	30320109T	DAMPER F	2		
	4	30320110T	DAMPER R	1		
	11	303205501T	CHASSIS RIVET A	1		
	12	303205503T	CHANGE P.RVT A	1		
	13	303205301T	CLAMPER ASS'Y	1		
	14	303205304T	SPINDLE MOTOR A	1	MDN1AL3RHCS	
	15	30320502T	CLAMPER ARM	1		
	16	30320503T	CHANGE GEAR SPG	1		
	17	30320505T	CHANGE GEAR 2	1		
	18	30320506T	FEED GEAR	1		
	19	30320507T	FEED RACK	1		
	20	30320509T	CHANGE LOCK RAR	1		
	21	30320510T	FEED SW HOLDER	1		
	22	30320511T	PU SHAFT HOLDER	1		
	23	30320513T	CLAMPER SUB SPG	1		
	24	30320514T	FD SUB HOLDER	1		
	25	30320518T	TOP PLATE	1		
	26	30320519T	SELECT LOCK ARM	1		
	27	30320520T	TRIGGER ARM	1		
	28	30320521T	SLIDE HOOK	1		
	29	30320522T	PU SHAFT	1		
	30	30320525T	CLAMPER ARM SPG	1		
	31	30320526T	SELECT L ARM SP	1		
	32	30320527T	SUSPENSION SPG	2		
	33	30320529T	SELECT ARM R	1		
	34	30320530T	LINK PLATE	1		
	35	30320531T	LINK PLATE SPG	1		
	36	30320523T	CUSHION F	1		
	37	30320524T	CUSHION R	2		
	38	30320528T	SUSPENSION SPGL	2		
	61	69011614T	PICKUP OPT-725	1		
	62	64180406T	DET SW ESE22	1	ESE22MH56	
	71	303210302T	CONN PWB ASS'Y	1	MP3 CONN	
	72	30321002T	MODE SW	1	MMS000690ZMB0	
	73	30321003T	LOAD MOTOR WIRE	1		
	74	30321005T	MODE SW WIRE	1		
	75	30321009T	SL WIRE	1		
	76	30321011T	WIRE HOLDER	1		
	77	19501403T	WIRE CLAMPER	1		
	81	303211301T	ROLLER SHAFT AS	1		
	82	303211501T	L GEAR PLATE RV	1		
	83	303211302T	LOADING PLATE A	1		
	84	303211502T	LOCK ARM RV ASS	1		
	85	303211303T	L/F MOTOR ASS'Y	1	FF030PK-10180	
	86	30321101T	LOADING GEAR 1	1		
	87	30321102T	LOADING GEAR 2	1		

## ■ Parts list (CD mechanism)

Block No. MBMM

△	Item	Parts number	Parts name	Q'ty	Description	Area
	88	30321103T	LOADING GEAR 3	1		
	89	30321104T	LOADING GEAR 4	1		
	90	30321105T	LOADING GEAR 5	1		
	91	30321106T	LOADING GEAR 6	1		
	92	30321107T	LOADING GEAR 7	1		
	93	30321111T	ROLLER GUIDE	2		
	94	30321114T	ROLLER GUIDE SP	2		
	95	30321116T	DISC STOPPER AR	1		
	96	30321117T	DISC ST ARM SPG	1		
	97	30321118T	LD GEAR BRACKET	1		
	98	30321125T	L SIDE PLATE	1		
	99	30321131T	LOAD PLATE SPG	1		
	100	30321133T	LDG ROLLER	2		
	101	18211223T	COLLAR SCREW	1		
	111	9P0420031T	SCREW M2X3	6	TAP 2X3	
	112	9P0420041T	SCREW(M2 X 4)	2	TAP 2X4	
	113	9B0320041T	SCREW(M2 X 4)	1	BIND 2X4	
	114	9C0117183T	SCREW	2	SCR M1.7X1.8	
	115	9C0120203T	SCREW	1	SCR M2X2	
	116	9C0317503T	SCREW	1	T SCR M1.5X5	
	121	9W0130170T	PW 3.5X8X0.3	1		
	122	9W0513060T	HL WASHER	1	HLW1.85X5X0.13	
	123	9W0710070T	L WASHER	1	LW3.1X6X0.1	
	124	9E0100152T	E RING	1	S 1.5	
	125	9W0113020T	PW 2.1X4X0.13	1		



## ■ Electrical parts list (Main board)

Block No. 01

▲	Item	Parts number	Parts name	Remarks	Area	▲	Item	Parts number	Parts name	Remarks	Area
	BZ791	QAN0002-001Z	BUZZER				C 301	QERF1EM-475Z	E CAPACITOR	4.7MF 20% 25V	
	C 1	NCB31EK-473X	C CAPACITOR				C 302	QERF1EM-475Z	E CAPACITOR	4.7MF 20% 25V	
	C 2	QERF1CM-476Z	E CAPACITOR	47MF 20% 16V			C 303	QERF1CM-476Z	E CAPACITOR	47MF 20% 16V	
	C 3	NCB31HK-103X	C CAPACITOR				C 305	QERF1EM-475Z	E CAPACITOR	4.7MF 20% 25V	
	C 4	QERF1CM-476Z	E CAPACITOR	47MF 20% 16V			C 306	QERF1EM-475Z	E CAPACITOR	4.7MF 20% 25V	
	C 5	QERF1AM-107Z	E CAPACITOR	100MF 20% 10V			C 307	QERF1AM-107Z	E CAPACITOR	100MF 20% 10V	
	C 7	QERF1AM-227Z	E CAPACITOR	220MF 20% 10V			C 308	QERF1EM-475Z	E CAPACITOR	4.7MF 20% 25V	
	C 8	NCB31HK-103X	C CAPACITOR				C 309	QERF1EM-475Z	E CAPACITOR	4.7MF 20% 25V	
	C 9	QERF1AM-107Z	E CAPACITOR	100MF 20% 10V			C 310	QERF1AM-107Z	E CAPACITOR	100MF 20% 10V	
	C 10	NCB31EK-473X	C CAPACITOR				C 311	NCB31HK-103X	C CAPACITOR		
	C 11	NCB31HK-103X	C CAPACITOR				C 323	QERF1CM-476Z	E CAPACITOR	47MF 20% 16V	
	C 21	NCS31HJ-331X	C.CAPA. C.M				C 325	QERF1HM-225Z	E CAPACITOR	2.2MF 20% 50V	
	C 22	NCB31HK-103X	C CAPACITOR				C 327	NCB31CK-823X	C CAPACITOR		
	C 23	NCB31HK-472X	C CAPACITOR				C 328	NCB31HK-682X	C CAPACITOR		
	C 24	NCB31CK-104X	C CAPACITOR				C 329	QERF1HM-225Z	E CAPACITOR	2.2MF 20% 50V	
	C 25	QERF1HM-474Z	E CAPACITOR	.47MF 20% 50V			C 330	NCB31HK-123X	C CAPACITOR		
	C 32	QERF1HM-104Z	E CAPACITOR	.10MF 20% 50V			C 331	NCB31HK-562X	C CAPACITOR		
	C 34	NCB31CK-104X	C CAPACITOR				C 332	NCB31EK-273X	C CAPACITOR		
	C 51	NDC31HJ-820X	C CAPACITOR				C 333	NCB31EK-273X	C CAPACITOR		
	C 52	NDC31HJ-470X	C.CAPA. C.M				C 334	NCB31EK-333X	C CAPACITOR		
	C 53	QERF0JM-476Z	E CAPACITOR	47MF 20% 6.3V			C 336	NCB31EK-473X	C CAPACITOR		
	C 54	NCB31HK-103X	C CAPACITOR				C 337	NCB31EK-473X	C CAPACITOR		
	C 55	NCS31HJ-561X	C CAPACITOR				C 351	QERF1CM-106Z	E CAPACITOR	10MF 20% 16V	
	C 56	NCB31EK-223X	C CAPACITOR				C 352	QERF1CM-106Z	E CAPACITOR	10MF 20% 16V	
	C 57	QERF1HM-225Z	E CAPACITOR	2.2MF 20% 50V			C 353	QERF1CM-106Z	E CAPACITOR	10MF 20% 16V	
	C 81	QERF1EM-475Z	E CAPACITOR	4.7MF 20% 25V			C 355	NCB31HK-223X	C CAPACITOR		
	C 82	NCS31HJ-821X	C CAPACITOR				C 361	NCB31CK-823X	C CAPACITOR		
	C 84	NCB31HK-153X	C CAPACITOR				C 362	NCB31CK-104X	C CAPACITOR		
	C 91	QERF1EM-475Z	E CAPACITOR	4.7MF 20% 25V			C 363	NCB31EK-273X	C CAPACITOR		
	C 92	NCS31HJ-821X	C CAPACITOR				C 364	NCB31CK-393X	C CAPACITOR		
	C 94	NCB31HK-153X	C CAPACITOR				C 365	NCB31HK-123X	C CAPACITOR		
	C 103	QERF1HM-105Z	E CAPACITOR	1.0MF 20% 50V			C 366	NCB31HK-153X	C CAPACITOR		
	C 110	QERF1HM-105Z	E CAPACITOR	1.0MF 20% 50V			C 367	NCB31HK-472X	C CAPACITOR		
	C 112	QERF1EM-475Z	E CAPACITOR	4.7MF 20% 25V			C 368	NCB31HK-682X	C CAPACITOR		
	C 120	QERF1HM-105Z	E CAPACITOR	1.0MF 20% 50V			C 369	NCB31HK-182X	C CAPACITOR		
	C 121	NCB31CK-473X	C CAPACITOR				C 370	NCB31HK-272X	C CAPACITOR		
	C 124	QERF1HM-105Z	E CAPACITOR	1.0MF 20% 50V			C 401	QERF1EM-475Z	E CAPACITOR	4.7MF 20% 25V	
	C 141	QERF1HM-105Z	E CAPACITOR	1.0MF 20% 50V			C 402	QERF1EM-475Z	E CAPACITOR	4.7MF 20% 25V	
	C 142	QERF1HM-105Z	E CAPACITOR	1.0MF 20% 50V			C 403	QERF1CM-476Z	E CAPACITOR	47MF 20% 16V	
	C 143	NCS31HJ-101X	C.CAPA. C.M				C 405	QERF1EM-475Z	E CAPACITOR	4.7MF 20% 25V	
	C 144	NCS31HJ-101X	C.CAPA. C.M				C 406	QERF1EM-475Z	E CAPACITOR	4.7MF 20% 25V	
	C 161	QERF1HM-105Z	E CAPACITOR	1.0MF 20% 50V			C 407	QERF1AM-107Z	E CAPACITOR	100MF 20% 10V	
	C 162	QERF1CM-226Z	E CAPACITOR	22MF 20% 16V			C 408	QERF1EM-475Z	E CAPACITOR	4.7MF 20% 25V	
	C 163	NCB31EK-473X	C CAPACITOR				C 409	QERF1EM-475Z	E CAPACITOR	4.7MF 20% 25V	
	C 164	QERF1HM-224Z	E CAPACITOR	.22MF 20% 50V			C 410	QERF1AM-107Z	E CAPACITOR	100MF 20% 10V	
	C 170	QERF1HM-105Z	E CAPACITOR	1.0MF 20% 50V			C 411	NCB31HK-103X	C CAPACITOR		
	C 171	NCB31CK-104X	C CAPACITOR				C 450	QERF1HM-225Z	E CAPACITOR	2.2MF 20% 50V	
	C 172	QERF1CM-106Z	E CAPACITOR	10MF 20% 16V			C 451	QERF1CM-106Z	E CAPACITOR	10MF 20% 16V	
	C 173	QERF0JM-226Z	E CAPACITOR	22MF 20% 6.3V			C 452	QERF1CM-106Z	E CAPACITOR	10MF 20% 16V	
	C 174	NCB31EK-223X	C CAPACITOR				C 461	NCB31CK-823X	C CAPACITOR		
	C 175	QERF0JM-476Z	E CAPACITOR	47MF 20% 6.3V			C 462	NCB31CK-104X	C CAPACITOR		
	C 203	QERF1HM-105Z	E CAPACITOR	1.0MF 20% 50V			C 463	NCB31EK-273X	C CAPACITOR		
	C 210	QERF1HM-105Z	E CAPACITOR	1.0MF 20% 50V			C 464	NCB31CK-393X	C CAPACITOR		
	C 212	QERF1EM-475Z	E CAPACITOR	4.7MF 20% 25V			C 465	NCB31HK-123X	C CAPACITOR		
	C 220	QERF1HM-105Z	E CAPACITOR	1.0MF 20% 50V			C 466	NCB31HK-153X	C CAPACITOR		
	C 221	NCB31CK-473X	C CAPACITOR				C 467	NCB31HK-472X	C CAPACITOR		
	C 224	QERF1HM-105Z	E CAPACITOR	1.0MF 20% 50V			C 468	NCB31HK-682X	C CAPACITOR		
	C 241	QERF1HM-105Z	E CAPACITOR	1.0MF 20% 50V			C 469	NCB31HK-182X	C CAPACITOR		
	C 242	QERF1HM-105Z	E CAPACITOR	1.0MF 20% 50V			C 470	NCB31HK-272X	C CAPACITOR		
	C 243	NCS31HJ-101X	C.CAPA. C.M				C 495	NCB31EK-473X	C CAPACITOR		
	C 244	NCS31HJ-101X	C.CAPA. C.M				C 701	NDC31HJ-220X	C CAPACITOR		
	C 272	QERF1CM-106Z	E CAPACITOR	10MF 20% 16V			C 702	NDC31HJ-270X	C-CAPACITOR		
	C 273	QERF0JM-226Z	E CAPACITOR	22MF 20% 6.3V			C 703	NDC31HJ-270X	C-CAPACITOR		

■ Electrical parts list (Main board)

Block No. 01

△	Item	Parts number	Parts name	Remarks	Area
	C 704	NCS31HJ-8R0X	C CAPACITOR		
	C 705	NCS31HJ-471X	C CAPACITOR		
	C 707	NCB31CK-104X	C CAPACITOR		
	C 708	QERF0JM-476Z	E CAPACITOR	47MF 20% 6.3V	
	C 709	NDC31HJ-220X	C CAPACITOR		
	C 710	QERF1AM-227Z	E CAPACITOR	220MF 20% 10V	
	C 711	NCS31HJ-471X	C CAPACITOR		
	C 712	NCB31EK-473X	C CAPACITOR		
	C 713	QERF1AM-227Z	E CAPACITOR	220MF 20% 10V	
	C 714	NCB31CK-104X	C CAPACITOR		
	C 715	QERF1AM-227Z	E CAPACITOR	220MF 20% 10V	
	C 719	NCS31HJ-471X	C CAPACITOR		
	C 720	QERF1AM-107Z	E CAPACITOR	100MF 20% 10V	
	C 732	NCS31HJ-102X	C CAPACITOR		
	C 734	NCS31HJ-102X	C CAPACITOR		
	C 751	NCB31HK-103X	C CAPACITOR		
	C 753	NCB31HK-103X	C CAPACITOR		
	C 754	NCB31CK-104X	C CAPACITOR		
	C 771	NCB31EK-473X	C CAPACITOR		
	C 772	NDC31HJ-220X	C CAPACITOR		
	C 791	QERF1HM-104Z	E CAPACITOR	.10MF 20% 50V	
	C 911	NCB31EK-473X	C CAPACITOR		
	C 912	QERF1AM-107Z	E CAPACITOR	100MF 20% 10V	
	C 913	QERF1CM-106Z	E CAPACITOR	10MF 20% 16V	
	C 917	NCB21CK-473X	C.CAPA. C.M		
	C 918	NCB31CK-104X	C CAPACITOR		
	C 919	NCB31CK-104X	C CAPACITOR		
	C 920	QERF1EM-475Z	E CAPACITOR	4.7MF 20% 25V	
	C 929	NCB31CK-473X	C CAPACITOR		
	C 930	QERF1CM-106Z	E CAPACITOR	10MF 20% 16V	
	C 931	NCB31HK-223X	C CAPACITOR		
	C 940	QERF1CM-476Z	E CAPACITOR	47MF 20% 16V	
	C 941	QERF1EM-475Z	E CAPACITOR	4.7MF 20% 25V	
	C 942	QERF1CM-106Z	E CAPACITOR	10MF 20% 16V	
	C 943	NCB31HK-103X	C CAPACITOR		
	C 944	QERF1HM-225Z	E CAPACITOR	2.2MF 20% 50V	
	C 945	QERF1CM-226Z	E CAPACITOR	22MF 20% 16V	
	C 951	NCB31CK-104X	C CAPACITOR		
	C 952	QERF1CM-106Z	E CAPACITOR	10MF 20% 16V	
	C 961	QEZO337-228	E CAPACITOR	2200MF	
	C 962	QERF1HM-225Z	E CAPACITOR	2.2MF 20% 50V	
	C 964	QERF1AM-227Z	E CAPACITOR	220MF 20% 10V	
	C 965	QERF1AM-227Z	E CAPACITOR	220MF 20% 10V	
	C 966	NCB31HK-103X	C CAPACITOR		
	C 967	QERF1CM-226Z	E CAPACITOR	22MF 20% 16V	
	C 968	NCB31CK-104X	C CAPACITOR		
	C 969	QERF1CM-106Z	E CAPACITOR	10MF 20% 16V	
	C 971	QERF1CM-226Z	E CAPACITOR	22MF 20% 16V	
	C 972	NCB31CK-104X	C CAPACITOR		
	C 973	NCB31CK-104X	C CAPACITOR		
	C 977	QERF1CM-476Z	E CAPACITOR	47MF 20% 16V	
	C 978	QERF0JM-476Z	E CAPACITOR	47MF 20% 6.3V	
	C 979	NCB31HK-103X	C CAPACITOR		
	C 980	NCB31HK-103X	C CAPACITOR		
	C 982	QERF1CM-226Z	E CAPACITOR	22MF 20% 16V	
	C 986	NCB31CK-104X	C CAPACITOR		
	C 990	NCS31HJ-101X	C.CAPA. C.M		
	C 991	NCS31HJ-101X	C.CAPA. C.M		
	C 992	NCS31HJ-101X	C.CAPA. C.M		
	C 993	NCS31HJ-101X	C.CAPA. C.M		
	C 994	NCS31HJ-101X	C.CAPA. C.M		
	C 995	NCS31HJ-101X	C.CAPA. C.M		
	C 996	NCS31HJ-101X	C.CAPA. C.M		

△	Item	Parts number	Parts name	Remarks	Area
	C 997	NCS31HJ-101X	C.CAPA. C.M		
	CN301	QGA2501C1-07	7P CONNECTOR		
	CN302	QGA2501C1-06	6P CONNECTOR		
	CN601	QGB2027M4-22S	CONNECTOR		
	CN701	QGF0503F3-07X	FFC/FPC CONNE		
	CN702	QGF1034C1-20X	CONNECTOR		
	CN703	QGA2501F1-02	CONNECTOR		
	CN705	QGA2006C1-02	CONNECTOR		
	CN771	QNZ0095-001	CONNECTOR		
	CN901	QNZ0090-001	CAR CONNECTOR		
	D 1	1SS355-X	DIODE C.M		
	D 2	1SS355-X	DIODE C.M		
	D 11	MA152WK-X	SI DIODE		
	D 131	MA152WA-X	DIODE		
	D 161	1SS355-X	DIODE C.M		
	D 162	1SS355-X	DIODE C.M		
	D 231	MA152WA-X	DIODE		
	D 332	MA152WK-X	SI DIODE		
	D 495	UDZS4.7B-X	Z.DIODE C.M X		
	D 711	1SS355-X	DIODE C.M		
	D 721	UDZS6.2B-X	SI DIODE		
	D 722	UDZS6.2B-X	SI DIODE		
	D 723	UDZS6.2B-X	SI DIODE		
	D 724	UDZS6.2B-X	SI DIODE		
	D 725	UDZS6.2B-X	SI DIODE		
	D 726	UDZS6.2B-X	SI DIODE		
	D 727	UDZS6.2B-X	SI DIODE		
	D 728	UDZS6.2B-X	SI DIODE		
	D 729	UDZS6.2B-X	SI DIODE		
	D 730	UDZS6.2B-X	SI DIODE		
	D 754	UDZS6.2B-X	SI DIODE		
	D 795	SML-310FT/JKL/X	LED		
	D 796	SML-310FT/JKL/X	LED		
	D 941	1SS355-X	DIODE C.M		
	D 943	UDZ11B-X	Z.DIODE		
△	D 961	1N5404-TU-15	DIODE		
	D 962	CRS03-W	SB DIODE		
	D 963	1SS355-X	DIODE C.M		
	D 967	CRS03-W	SB DIODE		
	D 978	UDZ11B-X	Z.DIODE		
	D 980	1SS355-X	DIODE C.M		
	D 986	MA152WA-X	DIODE		
△	IC 51	SAA6579T-X	IC		
	IC171	NJM4565V-X	IC		
	IC301	BA3220FV-X	IC		
	IC322	BU4066BCFV-X	IC		
	IC323	NJM4565V-X	IC		
	IC351	BU4066BCFV-X	IC		
	IC401	BA3220FV-X	IC		
	IC495	BA6956AN	IC		
△	IC701	UPD784217AGC177	IC		
	IC702	IC-PST9333U-X	IC		
	IC703	HN58X2432FPI-X	IC(EEPROM)		
	IC771	HD74HC126FP-X	IC		
	IC911	TDA7404D-X	IC		
	IC912	M62449FP-X	IC		
△	IC941	TB2901H	IC		
	IC951	NJM4565V-X	IC		
△	IC961	HA13164A	IC		
	J 1	QAM0105-002	CAR CABLE		
	J 1	QAM0105-002	CAR CABLE		
	L 1	NQL334J-4R7X	INDUCTOR		
	L 701	NQL114K-100X	INDUCTOR		

## ■ Electrical parts list (Main board)

Block No. 01

△	Item	Parts number	Parts name	Remarks	Area	△	Item	Parts number	Parts name	Remarks	Area
	L 720	NQL114K-470X	INDUCTOR			R 28	NRSA63J-473X	MG RESISTOR			
	L 740	NQL114K-100X	INDUCTOR			R 33	NRSA63J-472X	MG RESISTOR			
	L 753	NQL114K-470X	INDUCTOR			R 34	NRSA63J-4R7X	MG RESISTOR			
	L 961	QQR1198-001	CHOKE COIL			R 51	NRSA63J-0R0X	MG RESISTOR			
	PP 2	QZW0010-001	STYLE PIN			R 52	NRSA63J-222X	MG RESISTOR			
	Q 11	2SB815/7/-X	TRANSISTOR			R 53	NRSA63J-222X	MG RESISTOR			
	Q 12	UN2211-X	TRANSISTOR			R 54	NRSA63J-222X	MG RESISTOR			
	Q 13	2SB709A/R/-X	TRANSISTOR			R 55	NRSA63J-473X	MG RESISTOR			
	Q 22	2SC2412K/R/-X	TRANSISTOR			R 56	NRSA63J-472X	MG RESISTOR			
	Q 23	2SC2412K/R/-X	TRANSISTOR			R 81	NRSA63J-103X	MG RESISTOR			
	Q 24	UN2211-X	TRANSISTOR			R 82	NRSA63J-303X	MG RESISTOR			
	Q 32	UN2111-X	TRANSISTOR			R 83	NRSA63J-472X	MG RESISTOR			
	Q 33	2SD601A/R/-X	TRANSISTOR			R 91	NRSA63J-103X	MG RESISTOR			
	Q 34	UN2111-X	TRANSISTOR			R 92	NRSA63J-303X	MG RESISTOR			
	Q 35	UN2111-X	TRANSISTOR			R 93	NRSA63J-472X	MG RESISTOR			
	Q 51	UN2211-X	TRANSISTOR			R 111	NRSA63J-124X	MG RESISTOR			
	Q 52	2SB709A/R/-X	TRANSISTOR			R 118	NRSA63J-102X	MG RESISTOR			
	Q 81	2SD601A/R/-X	TRANSISTOR			R 119	NRSA63J-473X	MG RESISTOR			
	Q 91	2SD601A/R/-X	TRANSISTOR			R 121	NRSA63J-104X	MG RESISTOR			
	Q 131	2SD1048/6-7/-X	TRANSISTOR			R 131	NRSA63J-222X	MG RESISTOR			
	Q 132	2SD1048/6-7/-X	TRANSISTOR			R 132	NRSA63J-222X	MG RESISTOR			
	Q 161	2SD601A/R/-X	TRANSISTOR			R 133	NRSA63J-0R0X	MG RESISTOR			
	Q 231	2SD1048/6-7/-X	TRANSISTOR			R 134	NRSA63J-0R0X	MG RESISTOR			
	Q 232	2SD1048/6-7/-X	TRANSISTOR			R 135	NRSA63J-101X	MG RESISTOR			
	Q 321	UN2211-X	TRANSISTOR			R 136	NRSA63J-101X	MG RESISTOR			
	Q 322	UN2211-X	TRANSISTOR			R 137	NRSA63J-102X	MG RESISTOR			
	Q 323	2SD1048/6-7/-X	TRANSISTOR			R 138	NRSA63J-102X	MG RESISTOR			
	Q 355	UN2211-X	TRANSISTOR			R 139	NRSA63J-0R0X	MG RESISTOR			
	Q 356	UN2211-X	TRANSISTOR			R 140	NRSA63J-0R0X	MG RESISTOR			
	Q 495	UN2211-X	TRANSISTOR			R 141	NRSA63J-473X	MG RESISTOR			
	Q 750	UN2211-X	TRANSISTOR			R 142	NRSA63J-473X	MG RESISTOR			
	Q 751	UN2211-X	TRANSISTOR			R 143	NRSA63J-823X	MG RESISTOR			
	Q 752	UN2213-X	TRANSISTOR			R 144	NRSA63J-823X	MG RESISTOR			
	Q 753	UN2211-X	TRANSISTOR			R 145	NRSA63J-124X	MG RESISTOR			
	Q 754	UN2211-X	TRANSISTOR			R 146	NRSA63J-124X	MG RESISTOR			
	Q 755	UN2211-X	TRANSISTOR			R 154	NRSA63J-0R0X	MG RESISTOR			
	Q 791	UN2211-X	TRANSISTOR			R 161	NRSA63J-473X	MG RESISTOR			
	Q 941	UN2211-X	TRANSISTOR			R 162	NRSA63J-123X	MG RESISTOR			
	Q 942	UN2211-X	TRANSISTOR			R 163	NRSA63J-184X	MG RESISTOR			
	Q 943	UN2113-X	TRANSISTOR			R 164	NRSA63J-223X	MG RESISTOR			
	Q 944	UN2213-X	TRANSISTOR			R 165	NRSA63J-391X	MG RESISTOR			
	Q 965	UN2213-X	TRANSISTOR			R 166	NRSA63J-102X	MG RESISTOR			
	Q 966	2SB709A/R/-X	TRANSISTOR			R 167	NRSA63J-274X	MG RESISTOR			
	Q 977	UN2111-X	TRANSISTOR			R 172	NRSA63J-104X	MG RESISTOR			
	Q 979	UN2111-X	TRANSISTOR			R 173	NRSA63J-103X	MG RESISTOR			
	Q 983	2SD601A/R/-X	TRANSISTOR			R 174	NRSA63J-103X	MG RESISTOR			
	Q 986	UN2211-X	TRANSISTOR			R 175	NRSA63J-822X	MG RESISTOR			
	R 1	NRSA63J-473X	MG RESISTOR			R 176	NRSA63J-822X	MG RESISTOR			
	R 2	NRSA63J-393X	MG RESISTOR			R 178	NRSA63J-471X	MG RESISTOR			
	R 4	NRSA63J-100X	MG RESISTOR			R 218	NRSA63J-102X	MG RESISTOR			
	R 10	NRSA63J-220X	MG RESISTOR			R 219	NRSA63J-473X	MG RESISTOR			
	R 11	NRSA63J-220X	MG RESISTOR			R 221	NRSA63J-104X	MG RESISTOR			
	R 12	NRSA63J-473X	MG RESISTOR			R 231	NRSA63J-222X	MG RESISTOR			
	R 13	NRSA63J-472X	MG RESISTOR			R 232	NRSA63J-222X	MG RESISTOR			
	R 14	NRSA63J-473X	MG RESISTOR			R 233	NRSA63J-0R0X	MG RESISTOR			
	R 15	NRSA63J-332X	MG RESISTOR			R 234	NRSA63J-0R0X	MG RESISTOR			
	R 21	NRSA63J-473X	MG RESISTOR			R 235	NRSA63J-101X	MG RESISTOR			
	R 22	NRSA63J-393X	MG RESISTOR			R 236	NRSA63J-101X	MG RESISTOR			
	R 23	NRSA63J-103X	MG RESISTOR			R 237	NRSA63J-102X	MG RESISTOR			
	R 24	NRSA63J-222X	MG RESISTOR			R 238	NRSA63J-102X	MG RESISTOR			
	R 25	NRSA63J-103X	MG RESISTOR			R 239	NRSA63J-0R0X	MG RESISTOR			
	R 26	NRSA63J-103X	MG RESISTOR			R 240	NRSA63J-0R0X	MG RESISTOR			
	R 27	NRSA63J-471X	MG RESISTOR			R 241	NRSA63J-473X	MG RESISTOR			

■ Electrical parts list (Main board)

Block No. 01

△	Item	Parts number	Parts name	Remarks	Area
	R 242	NRSA63J-473X	MG RESISTOR		
	R 243	NRSA63J-823X	MG RESISTOR		
	R 244	NRSA63J-823X	MG RESISTOR		
	R 245	NRSA63J-124X	MG RESISTOR		
	R 246	NRSA63J-124X	MG RESISTOR		
	R 254	NRSA63J-0R0X	MG RESISTOR		
	R 272	NRSA63J-104X	MG RESISTOR		
	R 273	NRSA63J-103X	MG RESISTOR		
	R 274	NRSA63J-103X	MG RESISTOR		
	R 275	NRSA63J-822X	MG RESISTOR		
	R 276	NRSA63J-822X	MG RESISTOR		
	R 301	NRSA63J-223X	MG RESISTOR		
	R 302	NRSA63J-223X	MG RESISTOR		
	R 303	NRSA63J-333X	MG RESISTOR		
	R 304	NRSA63J-333X	MG RESISTOR		
	R 305	NRSA63J-154X	MG RESISTOR		
	R 325	NRSA63J-104X	MG RESISTOR		
	R 327	NRSA63J-562X	MG RESISTOR		
	R 328	NRSA63J-153X	MG RESISTOR		
	R 329	NRSA63J-0R0X	MG RESISTOR		
	R 330	NRSA63J-473X	MG RESISTOR		
	R 331	NRSA63J-104X	MG RESISTOR		
	R 332	NRSA63J-104X	MG RESISTOR		
	R 333	NRSA63J-473X	MG RESISTOR		
	R 334	NRSA63J-473X	MG RESISTOR		
	R 335	NRSA63J-821X	MG RESISTOR		
	R 336	NRSA63J-473X	MG RESISTOR		
	R 337	NRSA63J-472X	MG RESISTOR		
	R 338	NRSA63J-101X	MG RESISTOR		
	R 339	NRSA63J-101X	MG RESISTOR		
	R 341	NRSA63J-105X	MG RESISTOR		
	R 342	NRSA63J-105X	MG RESISTOR		
	R 343	NRSA63J-105X	MG RESISTOR		
	R 344	NRSA63J-105X	MG RESISTOR		
	R 351	NRSA63J-103X	MG RESISTOR		
	R 352	NRSA63J-103X	MG RESISTOR		
	R 355	NRSA63J-222X	MG RESISTOR		
	R 356	NRSA63J-222X	MG RESISTOR		
	R 361	NRSA63J-222X	MG RESISTOR		
	R 362	NRSA63J-222X	MG RESISTOR		
	R 363	NRSA63J-222X	MG RESISTOR		
	R 401	NRSA63J-223X	MG RESISTOR		
	R 402	NRSA63J-223X	MG RESISTOR		
	R 403	NRSA63J-333X	MG RESISTOR		
	R 404	NRSA63J-333X	MG RESISTOR		
	R 405	NRSA63J-154X	MG RESISTOR		
	R 495	NRSA63J-102X	MG RESISTOR		
	R 701	NRSA63J-473X	MG RESISTOR		
	R 702	NRSA63J-103X	MG RESISTOR		
	R 703	NRSA63J-104X	MG RESISTOR		
	R 705	NRSA63J-473X	MG RESISTOR		
	R 706	NRSA63J-222X	MG RESISTOR		
	R 707	NRSA63J-472X	MG RESISTOR		
	R 708	NRSA63J-472X	MG RESISTOR		
	R 709	NRSA63J-103X	MG RESISTOR		
	R 710	NRSA63J-103X	MG RESISTOR		
	R 711	NRSA63J-103X	MG RESISTOR		
	R 712	NRSA63J-222X	MG RESISTOR		
	R 713	NRSA63J-103X	MG RESISTOR		
	R 714	NRSA63J-103X	MG RESISTOR		
	R 715	NRSA63J-472X	MG RESISTOR		
	R 716	NRSA63J-472X	MG RESISTOR		
	R 717	NRSA63J-472X	MG RESISTOR		

△	Item	Parts number	Parts name	Remarks	Area
	R 718	NRSA63J-222X	MG RESISTOR		
	R 719	NRSA63J-222X	MG RESISTOR		
	R 720	NRSA63J-222X	MG RESISTOR		
	R 721	NRSA63J-103X	MG RESISTOR		
	R 722	NRSA63J-103X	MG RESISTOR		
	R 723	NRSA63J-102X	MG RESISTOR		
	R 724	NRSA63J-271X	MG RESISTOR		
	R 725	NRSA63J-271X	MG RESISTOR		
	R 729	NRSA63J-103X	MG RESISTOR		
	R 730	NRSA63J-104X	MG RESISTOR		
	R 731	NRSA63J-104X	MG RESISTOR		
	R 732	NRSA63J-104X	MG RESISTOR		
	R 733	NRSA63J-104X	MG RESISTOR		
	R 734	NRSA63J-104X	MG RESISTOR		
	R 735	NRSA63J-104X	MG RESISTOR		
	R 736	NRSA63J-102X	MG RESISTOR		
	R 738	NRSA63J-103X	MG RESISTOR		
	R 739	NRSA63J-473X	MG RESISTOR		
	R 741	NRSA63J-473X	MG RESISTOR		
	R 743	NRSA63J-473X	MG RESISTOR		
	R 745	NRSA63J-103X	MG RESISTOR		
	R 746	NRSA63J-473X	MG RESISTOR		
	R 748	NRSA63J-102X	MG RESISTOR		
	R 749	NRSA63J-473X	MG RESISTOR		
	R 750	NRSA63J-473X	MG RESISTOR		
	R 751	NRSA63J-106X	MG RESISTOR		
	R 752	NRSA63J-102X	MG RESISTOR		
	R 754	NRSA63J-102X	MG RESISTOR		
	R 755	NRSA63J-821X	MG RESISTOR		
	R 757	NRSA63J-103X	MG RESISTOR		
	R 758	NRSA63J-103X	MG RESISTOR		
	R 762	NRSA63J-222X	MG RESISTOR		
	R 763	NRSA63J-222X	MG RESISTOR		
	R 764	NRSA63J-222X	MG RESISTOR		
	R 765	NRSA63J-222X	MG RESISTOR		
	R 766	NRSA63J-222X	MG RESISTOR		
	R 767	NRSA63J-103X	MG RESISTOR		
	R 768	NRSA63J-103X	MG RESISTOR		
	R 770	NRSA63J-103X	MG RESISTOR		
	R 771	NRSA63J-331X	MG RESISTOR		
	R 772	NRSA63J-473X	MG RESISTOR		
	R 773	NRSA63J-223X	MG RESISTOR		
	R 774	NRSA63J-101X	MG RESISTOR		
	R 775	NRSA63J-103X	MG RESISTOR		
	R 776	NRSA63J-104X	MG RESISTOR		
	R 777	NRSA63J-223X	MG RESISTOR		
	R 778	NRSA63J-101X	MG RESISTOR		
	R 779	NRSA63J-473X	MG RESISTOR		
	R 781	NRSA63J-331X	MG RESISTOR		
	R 782	NRSA63J-104X	MG RESISTOR		
	R 786	NRSA63J-473X	MG RESISTOR		
	R 791	NRSA63J-102X	MG RESISTOR		
	R 795	NRSA63J-102X	MG RESISTOR		
	R 796	NRSA63J-102X	MG RESISTOR		
	R 911	NRSA63J-222X	MG RESISTOR		
	R 912	NRSA63J-222X	MG RESISTOR		
	R 913	NRSA63J-473X	MG RESISTOR		
	R 921	NRSA63J-271X	MG RESISTOR		
	R 922	NRSA63J-271X	MG RESISTOR		
	R 923	NRSA63J-271X	MG RESISTOR		
	R 924	NRSA63J-271X	MG RESISTOR		
	R 925	NRSA63J-271X	MG RESISTOR		
	R 926	NRSA63J-271X	MG RESISTOR		

## ■ Electrical parts list (Main board)

Block No. 01

△	Item	Parts number	Parts name	Remarks	Area
	R 927	NRSA63J-271X	MG RESISTOR		
	R 928	NRSA63J-271X	MG RESISTOR		
	R 929	NRSA63J-271X	MG RESISTOR		
	R 930	NRSA63J-271X	MG RESISTOR		
	R 941	NRSA63J-222X	MG RESISTOR		
	R 942	NRSA63J-473X	MG RESISTOR		
	R 943	NRSA63J-103X	MG RESISTOR		
	R 944	NRSA63J-273X	MG RESISTOR		
	R 945	NRSA63J-0R0X	MG RESISTOR		
	R 951	NRSA63J-103X	MG RESISTOR		
	R 954	NRSA63J-103X	MG RESISTOR		
	R 961	QRE142J-102X	C RESISTOR	1.0K 5% 1/4W	
	R 962	NRSA63J-912X	MG RESISTOR		
	R 963	NRSA63J-472X	MG RESISTOR		
	R 968	NRSA63J-102X	MG RESISTOR		
	R 970	NRSA63J-153X	MG RESISTOR		
	R 971	NRSA63J-473X	MG RESISTOR		
	R 975	NRSA63J-562X	MG RESISTOR		
	R 976	NRS181J-222X	MG RESISTOR		
	R 977	NRS181J-222X	MG RESISTOR		
	R 978	NRSA63J-104X	MG RESISTOR		
	R 984	NRSA63J-473X	MG RESISTOR		
	R 985	NRSA63J-472X	MG RESISTOR		
	R 986	NRSA63J-102X	MG RESISTOR		
	R 987	NRSA63J-473X	MG RESISTOR		
	R 992	NRSA63J-0R0X	MG RESISTOR		
	R 993	NRSA63J-0R0X	MG RESISTOR		
	TH951	NAD0028-103X	N THERMISTOR		
△	TU 1	QAU0203-002	TUNER		
	X 51	QAX0263-001Z	CRYSTAL		
	X 701	QAX0617-001Z	CRYSTAL		
	X 702	QAX0401-001	CRYSTAL		

■ Electrical parts list (LCD board)

Block No. 02

△	Item	Parts number	Parts name	Remarks	Area
	C 861	NBE20JM-475X	TS E CAPACITOR		
	C 871	NBE20JM-475X	TS E CAPACITOR		
	C 872	NCB31CK-104X	C CAPACITOR		
	C 873	NCB31CK-104X	C CAPACITOR		
	C 874	NCB31CK-104X	C CAPACITOR		
	C 875	NBE21CM-475X	TA.E.CAPA. C.M		
	C 876	NCB31HK-681X	C CAPACITOR		
	C 877	NBE20JM-475X	TS E CAPACITOR		
	C 878	NCB31CK-104X	C CAPACITOR		
	C 881	NBE20JM-475X	TS E CAPACITOR		
	C 882	NCB31CK-104X	C CAPACITOR		
	C 883	NCB31CK-104X	C CAPACITOR		
	C 884	NCB31CK-104X	C CAPACITOR		
	C 885	NBE21CM-475X	TA.E.CAPA. C.M		
	C 886	NCB31HK-681X	C CAPACITOR		
	C 887	NBE20JM-475X	TS E CAPACITOR		
	C 888	NCB31CK-104X	C CAPACITOR		
	C 895	NCB31CK-473X	C CAPACITOR		
	C 896	NCB31CK-473X	C CAPACITOR		
	C 897	NCF31AZ-105X	C CAPACITOR		
	CN801	QGZ2202M1-16	CONNECTOR		
	CN803	QGA1501F2-03W	CONNECTOR		
	CN812	WJT0056-001A	E-CARD WIRE		
	D 801	SML-310LT/MN/-X	LED		
	D 802	SML-310LT/MN/-X	LED		
	D 803	SML-310LT/MN/-X	LED		
	D 804	SML-310LT/MN/-X	LED		
	D 805	SML-310LT/MN/-X	LED		
	D 806	SML-310LT/MN/-X	LED		
	D 807	SML-310LT/MN/-X	LED		
	D 808	SML-310LT/MN/-X	LED		
	D 810	SML-310LT/MN/-X	LED		
	D 811	SML-310LT/MN/-X	LED		
	D 812	SML-310LT/MN/-X	LED		
	D 813	SML-310LT/MN/-X	LED		
	D 814	SML-310LT/MN/-X	LED		
	D 815	SML-310LT/MN/-X	LED		
	D 816	SML-310LT/MN/-X	LED		
	D 817	SML-310LT/MN/-X	LED		
	D 818	CL-190UB-X-X	LED		
	D 819	CL-190UB-X-X	LED		
	D 820	SML-310LT/MN/-X	LED		
	D 840	MA152WK-X	SI DIODE		
	D 841	NSPW300BS/BRS/	LED		
	D 842	NSPW300BS/BRS/	LED		
	D 843	NSPW300BS/BRS/	LED		
	D 844	NSPW300BS/BRS/	LED		
	D 870	1PS226-X	CHIP DIODE C.M		
	D 871	1PS226-X	CHIP DIODE C.M		
	D 872	1PS226-X	CHIP DIODE C.M		
	D 873	1PS226-X	CHIP DIODE C.M		
	D 874	1SS355-X	DIODE C.M		
	D 875	UDZS5.1B-X	Z DIODE		
	D 881	RSA6.1EN-W	Z DIODE		
	D 882	RSA6.1EN-W	Z DIODE		
	D 883	UDZS6.2B-X	SI DIODE		
	D 884	UDZS6.2B-X	SI DIODE		
	D 885	UDZS5.1B-X	Z DIODE		
	D 892	UDZS6.2B-X	SI DIODE		
	EN891	QSW0915-001	ROTARY ENCODER		
	IC801	LC75878W	IC		
	IC802	LC75878W	IC		
	IC861	RPM6938-SV4	IC		

△	Item	Parts number	Parts name	Remarks	Area
	Q 841	DTC114EKA-X	TRANSISTOR		
	Q 842	2SB815/7/-X	TRANSISTOR		
	Q 871	UN2211-X	TRANSISTOR		
	Q 872	2SB815/7/-X	TRANSISTOR		
	R 801	NRSA63J-561X	MG RESISTOR		
	R 802	NRSA63J-681X	MG RESISTOR		
	R 803	NRSA63J-102X	MG RESISTOR		
	R 804	NRSA63J-122X	MG RESISTOR		
	R 805	NRSA63J-182X	MG RESISTOR		
	R 806	NRSA63J-272X	MG RESISTOR		
	R 807	NRSA63J-472X	MG RESISTOR		
	R 808	NRSA63J-103X	MG RESISTOR		
	R 809	NRSA63J-561X	MG RESISTOR		
	R 810	NRSA63J-681X	MG RESISTOR		
	R 811	NRSA63J-102X	MG RESISTOR		
	R 812	NRSA63J-122X	MG RESISTOR		
	R 813	NRSA63J-182X	MG RESISTOR		
	R 814	NRSA63J-272X	MG RESISTOR		
	R 815	NRSA63J-472X	MG RESISTOR		
	R 816	NRSA63J-103X	MG RESISTOR		
	R 821	NRSA63J-222X	MG RESISTOR		
	R 822	NRSA63J-242X	MG RESISTOR		
	R 823	NRSA63J-122X	MG RESISTOR		
	R 824	NRSA63J-122X	MG RESISTOR		
	R 825	NRSA63J-182X	MG RESISTOR		
	R 826	NRSA63J-122X	MG RESISTOR		
	R 827	NRSA63J-122X	MG RESISTOR		
	R 828	NRSA63J-821X	MG RESISTOR		
	R 829	NRSA63J-222X	MG RESISTOR		
	R 831	NRSA63J-222X	MG RESISTOR		
	R 832	NRSA63J-242X	MG RESISTOR		
	R 833	NRSA63J-122X	MG RESISTOR		
	R 834	NRSA63J-122X	MG RESISTOR		
	R 835	NRSA63J-182X	MG RESISTOR		
	R 836	NRSA63J-122X	MG RESISTOR		
	R 837	NRSA63J-122X	MG RESISTOR		
	R 838	NRSA63J-821X	MG RESISTOR		
	R 839	NRSA63J-222X	MG RESISTOR		
	R 840	NRSA63J-821X	MG RESISTOR		
	R 841	NRSA63J-821X	MG RESISTOR		
	R 842	NRSA63J-821X	MG RESISTOR		
	R 843	NRSA63J-821X	MG RESISTOR		
	R 844	NRSA63J-821X	MG RESISTOR		
	R 845	NRSA63J-223X	MG RESISTOR		
	R 846	NRSA63J-222X	MG RESISTOR		
	R 847	NRSA63J-561X	MG RESISTOR		
	R 848	NRSA63J-561X	MG RESISTOR		
	R 851	NRSA63J-821X	MG RESISTOR		
	R 852	NRSA63J-821X	MG RESISTOR		
	R 853	NRSA63J-821X	MG RESISTOR		
	R 854	NRSA63J-821X	MG RESISTOR		
	R 861	NRSA63J-103X	MG RESISTOR		
	R 862	NRSA63J-470X	MG RESISTOR		
	R 863	NRSA63J-332X	MG RESISTOR		
	R 864	NRSA63J-332X	MG RESISTOR		
	R 865	NRSA63J-332X	MG RESISTOR		
	R 866	NRSA63J-332X	MG RESISTOR		
	R 871	NRSA63J-471X	MG RESISTOR		
	R 872	NRSA63J-471X	MG RESISTOR		
	R 873	NRSA63J-223X	MG RESISTOR		
	R 874	NRSA63J-222X	MG RESISTOR		
	R 876	NRSA63J-823X	MG RESISTOR		
	R 886	NRSA63J-823X	MG RESISTOR		

## ■ Electrical parts list (LCD board)

Block No. 02

△	Item	Parts number	Parts name	Remarks	Area
	R 892	NRSA63J-473X	MG RESISTOR		
	R 893	NRSA63J-473X	MG RESISTOR		
	R 895	NRSA63J-473X	MG RESISTOR		
	R 896	NRSA63J-473X	MG RESISTOR		
	R 897	NRSA63J-471X	MG RESISTOR		
	S 801	NSW0066-001X	TACT SWITCH		
	S 802	NSW0066-001X	TACT SWITCH		
	S 803	NSW0066-001X	TACT SWITCH		
	S 804	NSW0066-001X	TACT SWITCH		
	S 805	NSW0066-001X	TACT SWITCH		
	S 806	NSW0066-001X	TACT SWITCH		
	S 807	NSW0066-001X	TACT SWITCH		
	S 808	NSW0066-001X	TACT SWITCH		
	S 809	NSW0066-001X	TACT SWITCH		
	S 810	NSW0066-001X	TACT SWITCH		
	S 811	NSW0066-001X	TACT SWITCH		
	S 812	NSW0066-001X	TACT SWITCH		
	S 813	NSW0066-001X	TACT SWITCH		
	S 814	NSW0066-001X	TACT SWITCH		
	S 815	NSW0066-001X	TACT SWITCH		
	S 816	NSW0066-001X	TACT SWITCH		
	S 817	NSW0066-001X	TACT SWITCH		
	S 818	NSW0066-001X	TACT SWITCH		

## ■ Electrical parts list (Switch board)

Block No. 03

△	Item	Parts number	Parts name	Remarks	Area
	CN804	QGF0503F3-07X	FFC/FPC CONNECTER		
	CN805	QGF1013F1-20X	CONNECTOR		
	CN811	QGZ2202L1-16	CONNECTOR		
	CN813	WJK0117-001A	E-SI C WIRE C-B		
	PJ801	QNS0145-001	3.5 JACK		
	S 891	NSW0146-001X	DETECT SW		
	S 892	NSW0146-001X	DETECT SW		
	S 893	NSW0146-001X	DETECT SW		
	S 894	NSW0146-001X	DETECT SW		
	S 895	NSW0146-001X	DETECT SW		
	S 896	NSW0146-001X	DETECT SW		

■ Electrical parts list (Mecha board)

Block No. 04

△	Item	Parts number	Parts name	Remarks	Area
	C 501	NCB31HK-103X	C CAPACITOR		
	C 502	NCB31HK-103X	C CAPACITOR		
	C 503	NCB31HK-103X	C CAPACITOR		
	C 504	NEAD0JM-107X	E.CAPACITOR		
	C 505	NDC31HJ-270X	C-CAPACITOR		
	C 506	NDC31HJ-220X	C CAPACITOR		
	C 507	NCS31HJ-471X	C CAPACITOR		
	C 508	NCB31HK-103X	C CAPACITOR		
	C 509	NCB31HK-103X	C CAPACITOR		
	C 510	NCS31HJ-102X	C CAPACITOR		
	C 511	NCB31CK-104X	C CAPACITOR		
	C 512	NEAD0JM-107X	E.CAPACITOR		
	C 513	NCB31HK-103X	C CAPACITOR		
	C 551	NCB31HK-103X	C CAPACITOR		
	C 571	NDC31HJ-100X	C CAPACITOR		
	C 572	NDC31HJ-100X	C CAPACITOR		
	C 573	NCB31CK-104X	C CAPACITOR		
	C 574	NEAD1CM-106X	E.CAPACITOR		
	C 575	NEAD0JM-476X	E.CAPACITOR		
	C 576	NCB31CK-104X	C CAPACITOR		
	C 577	NCB31CK-104X	C CAPACITOR		
	C 578	NEAD0JM-476X	E.CAPACITOR		
	C 579	NEAD1CM-106X	E.CAPACITOR		
	C 580	NCB31CK-104X	C CAPACITOR		
	C 581	NCS31HJ-101X	C.CAPA. C.M		
	C 582	NCS31HJ-101X	C.CAPA. C.M		
	C 583	NCS31HJ-821X	C CAPACITOR		
	C 584	NCS31HJ-821X	C CAPACITOR		
	C 585	NEAD1VM-475X	E CAPACITOR		
	C 586	NEAD1VM-475X	E CAPACITOR		
	C 587	NCS31HJ-121X	C CAPACITOR		
	C 588	NCS31HJ-121X	C CAPACITOR		
	C 589	NEAD1VM-475X	E CAPACITOR		
	C 590	NEAD1VM-475X	E CAPACITOR		
	C 591	NEAD0JM-476X	E.CAPACITOR		
	C 592	NEAD0JM-476X	E.CAPACITOR		
	C 593	NEAD1CM-476X	E.CAPACITOR		
	C 594	NCS31HJ-102X	C CAPACITOR		
	C 595	NCB31CK-473X	C CAPACITOR		
	C 596	NCS31HJ-101X	C.CAPA. C.M		
	C 597	NCS31HJ-102X	C CAPACITOR		
	C 598	NCS31HJ-102X	C CAPACITOR		
	C 599	QERF1AM-336Z	E CAPACITOR	33MF 20% 10V	
	C 601	NEAD0JM-476X	E.CAPACITOR		
	C 602	NCB31HK-103X	C CAPACITOR		
	C 603	NEAD0JM-107X	E.CAPACITOR		
	C 604	NCB31HK-103X	C CAPACITOR		
	C 605	NCB31HK-682X	C CAPACITOR		
	C 606	NEAD0JM-476X	E.CAPACITOR		
	C 607	NCB31HK-103X	C CAPACITOR		
	C 608	NCB31CK-104X	C CAPACITOR		
	C 609	NCB31CK-104X	C CAPACITOR		
	C 610	NDC31HJ-5R0X	C CAPACITOR		
	C 611	NCS31HJ-680X	C.CAPA. C.M		
	C 612	NCB31HK-103X	C CAPACITOR		
	C 613	NCB31HK-103X	C CAPACITOR		
	C 614	NCB31HK-103X	C CAPACITOR		
	C 621	NCB31HK-103X	C CAPACITOR		
	C 622	NEAD0JM-476X	E.CAPACITOR		
	C 623	NCS31HJ-470X	C.CAPA. C.M		
	C 624	NCB31HK-153X	C CAPACITOR		
	C 625	NCB31HK-103X	C CAPACITOR		
	C 626	NCB31HK-272X	C CAPACITOR		

△	Item	Parts number	Parts name	Remarks	Area
	C 627	NCB31HK-103X	C CAPACITOR		
	C 628	NEAD0JM-476X	E.CAPACITOR		
	C 629	NCB31EK-333X	C CAPACITOR		
	C 630	NCB31EK-333X	C CAPACITOR		
	C 631	NCS31HJ-471X	C CAPACITOR		
	C 632	NCS31HJ-471X	C CAPACITOR		
	C 633	NCB31CK-473X	C CAPACITOR		
	C 634	NCB31CK-473X	C CAPACITOR		
	C 635	NCB31CK-473X	C CAPACITOR		
	C 636	NCB31CK-473X	C CAPACITOR		
	C 637	NCB31CK-473X	C CAPACITOR		
	C 638	NCB31HK-103X	C CAPACITOR		
	C 639	NEAD0JM-476X	E.CAPACITOR		
	C 640	NCB31HK-103X	C CAPACITOR		
	C 641	NEAD0JM-476X	E.CAPACITOR		
	C 642	NCS31HJ-101X	C.CAPA. C.M		
	C 643	NCB31HK-103X	C CAPACITOR		
	C 644	NCB31AK-334X	C.CAPA. C.M		
	C 645	NEAD0JM-476X	E.CAPACITOR		
	C 646	NCB31HK-103X	C CAPACITOR		
	C 651	NEAD0JM-476X	E.CAPACITOR		
	C 652	NCB31HK-103X	C CAPACITOR		
	C 653	NEAD0JM-476X	E.CAPACITOR		
	C 654	NCB31CK-104X	C CAPACITOR		
	C 655	NCB31HK-103X	C CAPACITOR		
	C 656	NCB31CK-104X	C CAPACITOR		
	C 657	NCB31CK-104X	C CAPACITOR		
	C 658	NCB31CK-104X	C CAPACITOR		
	C 659	NCB31CK-104X	C CAPACITOR		
	C 660	NCS31HJ-101X	C.CAPA. C.M		
	C 661	NCB31HK-103X	C CAPACITOR		
	C 662	NCS31HJ-101X	C.CAPA. C.M		
	C 663	NCB31CK-104X	C CAPACITOR		
	C 664	NCB31EK-273X	C CAPACITOR		
	C 665	NCB31AK-334X	C.CAPA. C.M		
	C 666	NCS31HJ-101X	C.CAPA. C.M		
	C 667	NCB31HK-103X	C CAPACITOR		
	C 668	NEAD0JM-476X	E.CAPACITOR		
	C 669	NCB31HK-103X	C CAPACITOR		
	C 671	NEAD0JM-476X	E.CAPACITOR		
	C 672	NCB31CK-104X	C CAPACITOR		
	C 673	NCS31HJ-101X	C.CAPA. C.M		
	C 682	NEAD1CM-106X	E.CAPACITOR		
	C 683	NCB31CK-104X	C CAPACITOR		
	C 684	NEAD1CM-476X	E.CAPACITOR		
	C 685	NCB31CK-473X	C CAPACITOR		
	C 686	NCB31CK-473X	C CAPACITOR		
	C 687	NCB31CK-473X	C CAPACITOR		
	C 688	NCB31CK-473X	C CAPACITOR		
	C 689	NEAD1CM-476X	E.CAPACITOR		
	C 690	NBE20JM-106X	TS E CAP SVB20J		
	CN501	QGB2027L1-22X	CONNECTOR		
	CN502	QGF0501F1-08X	CONNECTOR CM		
	CN601	QGF0526F1-22X	FPC CONNE		
	D 501	1SS355-X	DIODE C.M		
	D 502	1SS355-X	DIODE C.M		
	D 503	1SS355-X	DIODE C.M		
	D 504	1SS355-X	DIODE C.M		
	D 505	1SS355-X	DIODE C.M		
	D 506	CRS03-W	SB DIODE		
	D 682	1SR154-400-X	DIODE		
	IC501	UPD784225GK-623	IC		
	IC502	BR24C01AFV-W-X	IC		



■ Electrical parts list (Mecha board)

Block No. 04

△	Item	Parts number	Parts name	Remarks	Area
	IC503	HD74HCT126T-X	IC		
	IC504	NJU7241F33-X	IC		
	IC571	PCM1716E-X	IC		
	IC572	NJM4565V-X	IC		
	IC601	TA2157FN-X	IC		
	IC621	TC94A14FA	IC		
	IC651	NJU7241F25-X	IC		
	IC652	TC94A02F-005	IC		
	IC653	W24L010AJ-12-X	IC		
	IC681	LA6579H-X	IC		
	L 501	NQL114K-470X	INDUCTOR		
	L 502	NQL114K-470X	INDUCTOR		
	L 571	NQL114K-470X	INDUCTOR		
	L 572	NQL114K-470X	INDUCTOR		
	L 621	NQL114K-470X	INDUCTOR		
	L 622	NQL114K-470X	INDUCTOR		
	L 623	NQL114K-470X	INDUCTOR		
	L 651	NQL114K-470X	INDUCTOR		
	L 652	NQL114K-470X	INDUCTOR		
	L 653	NQL114K-470X	INDUCTOR		
	Q 501	UN2111-X	TRANSISTOR		
	Q 502	UN2211-X	TRANSISTOR		
	Q 571	UN2111-X	TRANSISTOR		
	Q 572	UN2211-X	TRANSISTOR		
	Q 601	2SB1132/QR/-X	TRANSISTOR		
	Q 681	2SB1184/QR/-X	TRANSISTOR		
	R 501	NRSA63J-822X	MG RESISTOR		
	R 502	NRSA63J-271X	MG RESISTOR		
	R 503	NRSA63J-103X	MG RESISTOR		
	R 504	NRSA63J-271X	MG RESISTOR		
	R 505	NRSA63J-102X	MG RESISTOR		
	R 506	NRSA63J-102X	MG RESISTOR		
	R 507	NRSA63J-101X	MG RESISTOR		
	R 508	NRSA63J-101X	MG RESISTOR		
	R 509	NRSA63J-101X	MG RESISTOR		
	R 510	NRSA63J-101X	MG RESISTOR		
	R 511	NRSA63J-101X	MG RESISTOR		
	R 512	NRSA63J-101X	MG RESISTOR		
	R 513	NRSA63J-101X	MG RESISTOR		
	R 514	NRSA63J-102X	MG RESISTOR		
	R 515	NRSA63J-101X	MG RESISTOR		
	R 516	NRSA63J-101X	MG RESISTOR		
	R 517	NRSA63J-101X	MG RESISTOR		
	R 518	NRSA63J-472X	MG RESISTOR		
	R 519	NRSA63J-101X	MG RESISTOR		
	R 520	NRSA63J-101X	MG RESISTOR		
	R 521	NRSA63J-101X	MG RESISTOR		
	R 522	NRSA63J-101X	MG RESISTOR		
	R 523	NRSA63J-101X	MG RESISTOR		
	R 524	NRSA63J-101X	MG RESISTOR		
	R 525	NRSA63J-101X	MG RESISTOR		
	R 527	NRSA63J-104X	MG RESISTOR		
	R 528	NRSA63J-473X	MG RESISTOR		
	R 530	NRSA63J-473X	MG RESISTOR		
	R 531	NRSA63J-473X	MG RESISTOR		
	R 533	NRSA63J-473X	MG RESISTOR		
	R 534	NRSA63J-473X	MG RESISTOR		
	R 535	NRSA63J-473X	MG RESISTOR		
	R 536	NRSA63J-102X	MG RESISTOR		
	R 537	NRSA63J-473X	MG RESISTOR		
	R 538	NRSA63J-473X	MG RESISTOR		
	R 539	NRSA63J-102X	MG RESISTOR		
	R 540	NRSA63J-473X	MG RESISTOR		

△	Item	Parts number	Parts name	Remarks	Area
	R 541	NRSA63J-102X	MG RESISTOR		
	R 542	NRSA63J-101X	MG RESISTOR		
	R 543	NRSA63J-0R0X	MG RESISTOR		
	R 544	NRSA63J-102X	MG RESISTOR		
	R 545	NRSA63J-103X	MG RESISTOR		
	R 546	NRSA63J-104X	MG RESISTOR		
	R 547	NRSA63J-472X	MG RESISTOR		
	R 548	NRSA63J-472X	MG RESISTOR		
	R 549	NRSA63J-472X	MG RESISTOR		
	R 550	NRSA63J-472X	MG RESISTOR		
	R 551	NRSA63J-104X	MG RESISTOR		
	R 552	NRSA63J-104X	MG RESISTOR		
	R 553	NRSA63J-183X	MG RESISTOR		
	R 554	NRSA63J-333X	MG RESISTOR		
	R 555	NRSA63J-101X	MG RESISTOR		
	R 556	NRSA63J-0R0X	MG RESISTOR		
	R 557	NRSA63J-104X	MG RESISTOR		
	R 558	NRSA63J-104X	MG RESISTOR		
	R 559	NRSA63J-0R0X	MG RESISTOR		
	R 560	NRSA63J-101X	MG RESISTOR		
	R 561	NRSA63J-104X	MG RESISTOR		
	R 562	NRSA63J-392X	MG RESISTOR		
	R 563	NRSA63J-682X	MG RESISTOR		
	R 567	NRSA63J-101X	MG RESISTOR		
	R 568	NRSA63J-102X	MG RESISTOR		
	R 569	NRSA63J-102X	MG RESISTOR		
	R 570	NRSA63J-102X	MG RESISTOR		
	R 572	NRSA63J-473X	MG RESISTOR		
	R 573	NRSA63J-473X	MG RESISTOR		
	R 574	NRSA63J-470X	MG RESISTOR		
	R 581	NRSA63J-203X	MG RESISTOR		
	R 582	NRSA63J-203X	MG RESISTOR		
	R 583	NRSA63J-123X	MG RESISTOR		
	R 584	NRSA63J-123X	MG RESISTOR		
	R 585	NRSA63J-303X	MG RESISTOR		
	R 586	NRSA63J-303X	MG RESISTOR		
	R 587	NRSA63J-473X	MG RESISTOR		
	R 588	NRSA63J-473X	MG RESISTOR		
	R 589	NRSA63J-103X	MG RESISTOR		
	R 590	NRSA63J-103X	MG RESISTOR		
	R 591	NRSA63J-103X	MG RESISTOR		
	R 592	NRSA63J-103X	MG RESISTOR		
	R 593	NRSA63J-4R7X	MG RESISTOR		
	R 601	NRSA63J-823X	MG RESISTOR		
	R 602	NRSA63J-823X	MG RESISTOR		
	R 603	NRSA63J-334X	MG RESISTOR		
	R 604	NRSA63J-334X	MG RESISTOR		
	R 605	NRSA63J-220X	MG RESISTOR		
	R 606	NRSA63J-220X	MG RESISTOR		
	R 607	NRSA63J-823X	MG RESISTOR		
	R 608	NRSA63J-821X	MG RESISTOR		
	R 609	NRSA63J-563X	MG RESISTOR		
	R 610	NRSA63J-101X	MG RESISTOR		
	R 611	NRSA63J-103X	MG RESISTOR		
	R 612	NRSA63J-202X	MG RESISTOR		
	R 613	NRSA63J-102X	MG RESISTOR		
	R 614	NRSA63J-153X	MG RESISTOR		
	R 615	NRSA63J-151X	MG RESISTOR		
	R 616	NRSA63J-103X	MG RESISTOR		
	R 621	NRSA63J-470X	MG RESISTOR		
	R 622	NRSA63J-470X	MG RESISTOR		
	R 623	NRSA63J-470X	MG RESISTOR		
	R 624	NRSA63J-562X	MG RESISTOR		

■ Electrical parts list (Mecha board)

Block No. 04

△	Item	Parts number	Parts name	Remarks	Area
	R 625	NRSA63J-473X	MG RESISTOR		
	R 626	NRSA63J-474X	MG RESISTOR		
	R 627	NRSA63J-103X	MG RESISTOR		
	R 628	NRSA63J-225X	MG RESISTOR		
	R 629	NRSA63J-103X	MG RESISTOR		
	R 630	NRSA63J-101X	MG RESISTOR		
	R 631	NRSA63J-101X	MG RESISTOR		
	R 632	NRSA63J-0R0X	MG RESISTOR		
	R 633	NRSA63J-0R0X	MG RESISTOR		
	R 634	NRSA63J-0R0X	MG RESISTOR		
	R 635	NRSA63J-101X	MG RESISTOR		
	R 636	NRSA63J-101X	MG RESISTOR		
	R 637	NRSA63J-105X	MG RESISTOR		
	R 638	NRSA63J-472X	MG RESISTOR		
	R 639	NRSA63J-472X	MG RESISTOR		
	R 640	NRSA63J-472X	MG RESISTOR		
	R 641	NRSA63J-472X	MG RESISTOR		
	R 642	NRSA63J-103X	MG RESISTOR		
	R 651	NRSA63J-104X	MG RESISTOR		
	R 652	NRSA63J-474X	MG RESISTOR		
	R 653	NRSA63J-474X	MG RESISTOR		
	R 654	NRSA63J-470X	MG RESISTOR		
	R 655	NRSA63J-0R0X	MG RESISTOR		
	R 656	NRSA63J-0R0X	MG RESISTOR		
	R 657	NRSA63J-0R0X	MG RESISTOR		
	R 658	NRSA63J-474X	MG RESISTOR		
	R 659	NRSA63J-474X	MG RESISTOR		
	R 660	NRSA63J-474X	MG RESISTOR		
	R 661	NRSA63J-474X	MG RESISTOR		
	R 662	NRSA63J-474X	MG RESISTOR		
	R 663	NRSA63J-474X	MG RESISTOR		
	R 664	NRSA63J-474X	MG RESISTOR		
	R 665	NRSA63J-474X	MG RESISTOR		
	R 666	NRSA63J-474X	MG RESISTOR		
	R 667	NRSA63J-474X	MG RESISTOR		
	R 668	NRSA63J-0R0X	MG RESISTOR		
	R 669	NRSA63J-474X	MG RESISTOR		
	R 670	NRSA63J-474X	MG RESISTOR		
	R 671	NRSA63J-474X	MG RESISTOR		
	R 672	NRSA63J-474X	MG RESISTOR		
	R 673	NRSA63J-474X	MG RESISTOR		
	R 674	NRSA63J-331X	MG RESISTOR		
	R 675	NRSA63J-331X	MG RESISTOR		
	R 677	NRSA63J-105X	MG RESISTOR		
	R 681	NRSA63J-682X	MG RESISTOR		
	R 682	NRSA63J-682X	MG RESISTOR		
	R 683	NRSA63J-472X	MG RESISTOR		
	R 684	NRSA63J-153X	MG RESISTOR		
	R 685	NRSA63J-333X	MG RESISTOR		
	R 686	NRSA63J-822X	MG RESISTOR		
	R 687	NRSA63J-0R0X	MG RESISTOR		
	R 688	NRSA63J-303X	MG RESISTOR		
	R 689	NRSA63J-223X	MG RESISTOR		
	TH501	NAD0022-103X	N THERMISTOR		
	X 501	NAX0430-001X	CRYSTAL		
	X 571	NAX0375-001X	CRYSTAL		

< M E M O >

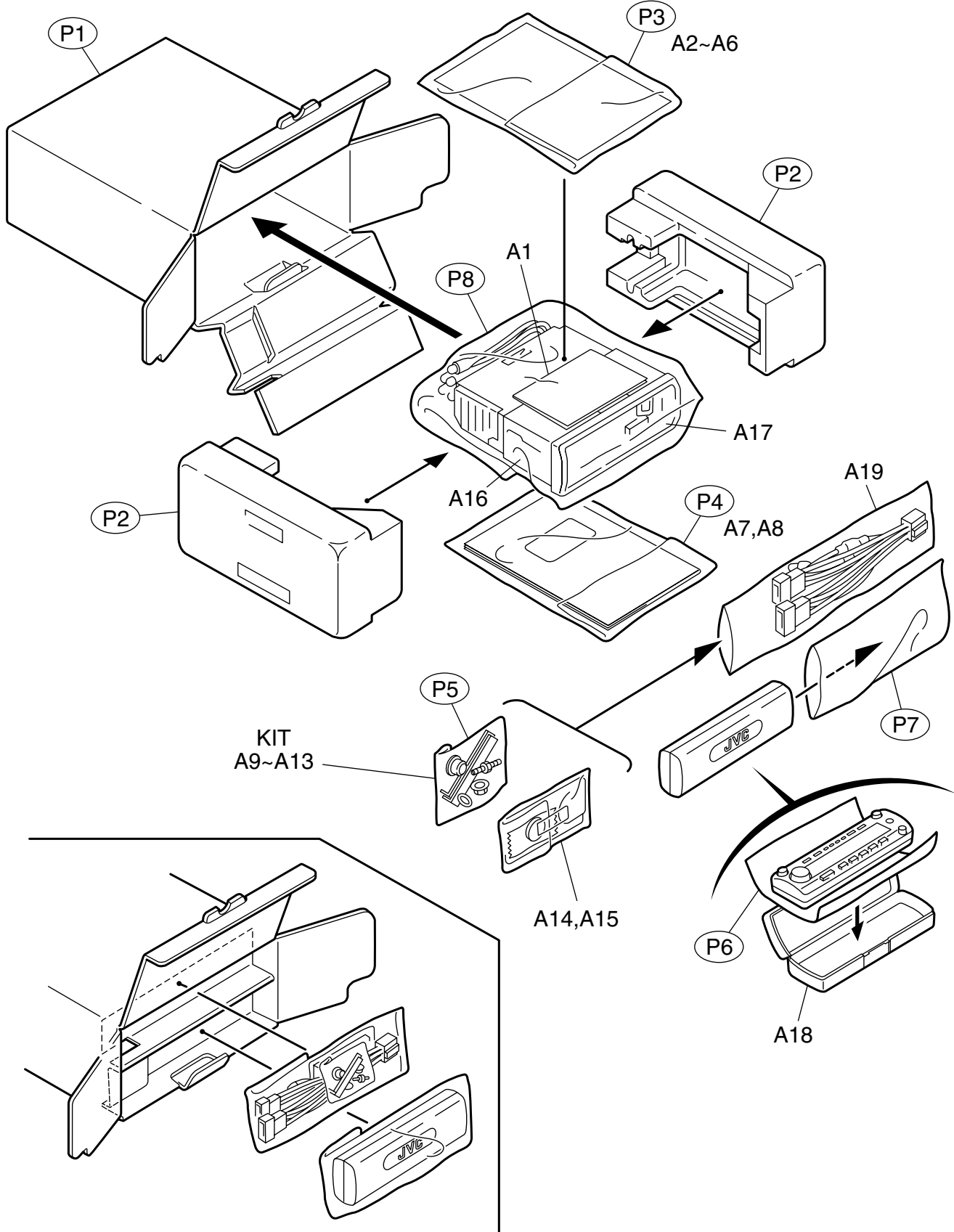
# Packing materials and accessories parts list

Block No. 

M	3	M	M
---	---	---	---

Block No. 

M	5	M	M
---	---	---	---



**Parts list (Packing)**

Block No. M3MM

△	Item	Parts number	Parts name	Q'ty	Description	Area
	P 1	LV33393-001A	CARTON	1		
	P 2	LV10466-001A	CUSHION	2		
	P 3	QPA01703505P	POLY BAG	2		
	P 5	QPA00801205	POLY BAG	1		
	P 6	FSYH4036-068	SHEET	1		
	P 7	QPA01003003	POLY BAG	1		
	P 8	VPE3005-066	POLY BAG	1		

**Parts list (Accessories)**

Block No. M5MM

△	Item	Parts number	Parts name	Q'ty	Description	Area
	A 1	LV40978-001A	CAUTION SHEET	1		
	A 2	LVT0831-001A	INST BOOK	1	ENG,GER,FRE,DUT	
	A 3	LVT0831-003A	INST MANUAL	1	ENG,GER,FRE,DUT	
	A 4	LVT0831-004A	INST MANUAL	1	SPA,ITA,SWE,RUS	
	A 5	LV42487-001A	CAUTION SHEET	1		
	A 6	LVT0770-002B	MP3 MANUAL	1	MPEG3	
	A 7	LVT0831-002A	INST BOOK	1	SPA,ITA,SWE,RUS	
	A 8	BT-54013-2	W.CARD	1		
	A 9	VKZ4027-202	PLUG NUT	1		
	A 10	VKH4871-001SS	MOUNT BOLT	1		
	A 11	VKZ4328-001	LOCK NUT	1		
	A 12	WNS5000Z	WASHER	1		
	A 13	FSKL4010-002	HOOK	2		
	A 14	RM-RK100	REMOCON	1		
	A 15	-----	LI BATTERY	1		
	A 16	FSKM2004-003SSF	MOUNTING SLEEVE	1		
	A 17	LV21210-001A	TRIM PLATE	1		
	A 18	LV32577-001A	HARD CASE ASSY	1		
	A 19	QAM0267-001	CAR CABLE	1		
	KIT	KDGS717K-SCREW1	SCREW PARTS KIT	1	A9-A13	