

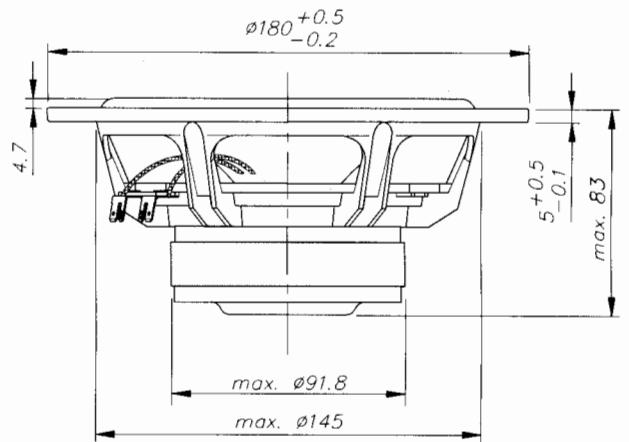
6 1/2" WOOFER

SPECIAL FEATURES:

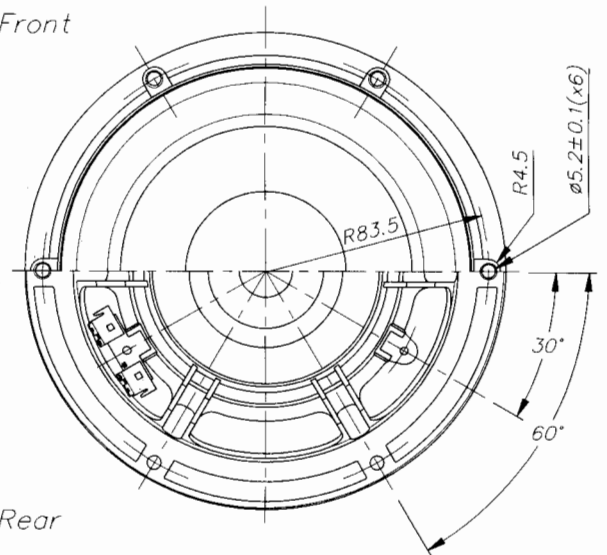
- LONG STROKE, LOW REFLEXION, MAGNESIUM BASKET
- STIFF MOISTURE RESISTANT PAPER CONE
- LOW DAMPING RUBBER SURROUND
- KAPTON® V.C. FORMER
- OPTIMIZED AS CAR-WOOFER

NOMINAL IMPEDANCE	4 Ω
VOICE COIL RESISTANCE	3.0 Ω
NOMINAL POWER (IEC 268-5)	110 W ¹⁾
SHORT TERM MAX. POWER (IEC 268-5)	300 W ²⁾
LONG TERM MAX. POWER (IEC 268-5)	150 W ³⁾
MUSIC POWER (DIN 45500)	150 W
OPERATING POWER	12.6 W
SENSITIVITY (1W, 1m) / (2.83V, 1m)	85/88 dB
FREQUENCY RANGE	63-3000 Hz
FREE AIR RESONANCE	63 Hz
VOICE COIL DIAMETER	40 mm
VOICE COIL HEIGHT	14 mm
AIR GAP HEIGHT	6 mm
VOICE COIL INDUCTANCE	0.6 mH
EFFECTIVE CONE AREA	132 cm ²
MOVING MASS (incl. air)	15.5 g
MAGNET WEIGHT (14.6 oz)	415 g
FORCE FACTOR, BxI	4.8 Txm
Vas	10 ltr
Qms	3.88
Qes	0.80
Qts	0.66

M18WN-19-04



Front



Rear

M18WN-19-04

DISPERSION PLOT
0, 30 and 60 deg.

Input: 2.83 V
Mic.: 1 m

320 ltr. box mounted
in infinite baffle.

07.04.94 ABC

Anechoic room 6x7x8 meters.
Half space free-field above 100 Hz.
Brüel & Kjær 2012 Audio Analyzer.

