

Service Manual

ORDER NO.
CRT3840

BRIDGEABLE TWO-CHANNEL POWER AMPLIFIER

GM-3300T /XU/UC

GM-3300T /XU/EW5

GM-3300T /XU/ES

This service manual should be used together with the following manual(s) listed below. For the parts numbers, adjustments, etc. which are not shown in this manual, refer to the following manual(s).

Model No.	Order No.	Mech. Module	Remarks
GM-320T/XU/UC	CRT3518		

SAFETY INFORMATION

WARNING

This product contains lead in solder and certain electrical parts contain chemicals which are known to the state of California to cause cancer, birth defects or other reproductive harm.
Health & Safety Code Section 25249.6 - Proposition 65

EXPLODED VIEWS AND PARTS LIST

PACKING(Page 6)

PACKING SECTION PARTS LIST

*:Non spare part

Mark	No.	Description	GM-320T/XU/UC	GM-3300T/XU/UC
	7	Carton	CHG5596	YHG5135
	8	Contain Box	CHL5596	YHL5135
	9-2	Owner's Manual	CRD4015	YRD5099
*	9-4	Caution Card	CRP1324	Not used
*	9-5	Caution Card	CRP1337	YRP5005

Mark	No.	Description	GM-320T/XU/UC	GM-3300T/XU/EW5
	6	Polyethylene Bag	CEG1181	CEG1057(Cover)
	7	Carton	CHG5596	YHG5136
	8	Contain Box	CHL5596	YHL5136
	9-2	Owner's Manual	CRD4015	YRD5100
*	9-3	Card	ARY1048	Not used
*	9-4	Caution Card	CRP1324	Not used
*	9-5	Caution Card	CRP1337	YRP5005
*	9-6	Warranty Card	Not used	CRY1157

Mark	No.	Description	GM-320T/XU/UC	GM-3300T/XU/ES
	6	Polyethylene Bag	CEG1181	CEG1057(Cover)
	7	Carton	CHG5596	YHG5134
	8	Contain Box	CHL5596	YHL5134
	9-2	Owner's Manual	CRD4015	YRD5097
*	9-3	Card	ARY1048	Not used
*	9-4	Caution Card	CRP1324	Not used
*	9-5	Caution Card	CRP1337	YRP5005
	9-7	Owner's Manual	Not used	YRD5098

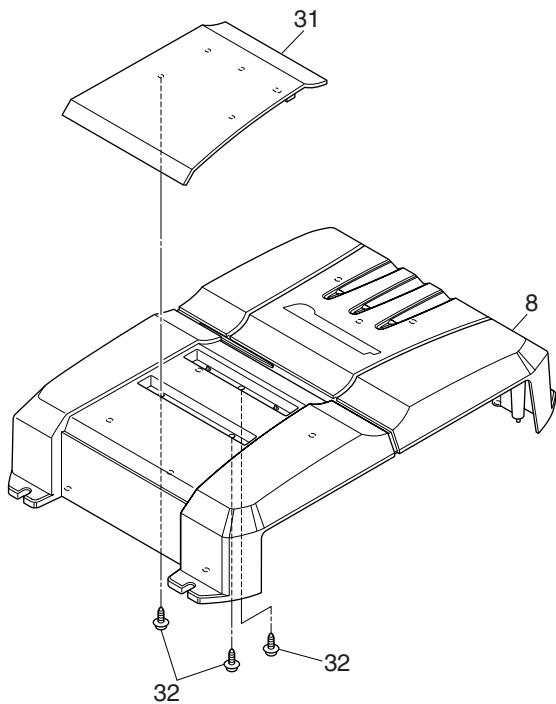
Owner's Manual

Part No.	Language
YRD5099	English, French, Spanish
YRD5100	English, Spanish, German, French, Italian, Dutch, Russian
YRD5097	English, Spanish
YRD5098	Portuguese(B), Arabic

EXTERIOR(Page 8)**EXTERIOR SECTION PARTS LIST**

Mark	No.	Description	GM-320T/XU/UC	GM-3300T/XU/UC GM-3300T/XU/ES
*	4	Badge	CAH1946	YAH5033
	5	Case	CNB3200	YNB5020
	6	Panel	CNB3313	YNB5028
	8	Heat Sink	CNR1830	YNR5037
	10	Lighting Conductor	CNV8692	YNV5091
	11	Amp Unit	CWH1326	YWH5021
	14	Terminal(CN901)	CKE1055	YKE5008
	15	Terminal(CN905,906)	CKE1057	YKE5010
	19	Sub Heat Sink	CNR1812	YNR5052
	20	Sub Heat Sink	CNR1813	YNR5053
	26	Screw	BMZ40P200FTB	Not used
*	27	Seal	CAN3984	Not used
	28	Holder	CNV8522	Not used
	29	Nut	NB40FTB	Not used
	30	Washer	WB40FTB	Not used
	31	Cover	Not used	YNR5043
	32	Screw	Not used	IBZ30P100FTC

Mark	No.	Description	GM-320T/XU/UC	GM-3300T/XU/EW5
*	4	Badge	CAH1946	YAH5033
	5	Case	CNB3200	YNB5020
	6	Panel	CNB3313	YNB5028
	8	Heat Sink	CNR1830	YNR5037
	10	Lighting Conductor	CNV8692	YNV5091
	11	Amp Unit	CWH1326	YWH5018
	14	Terminal(CN901)	CKE1055	YKE5008
	15	Terminal(CN905,906)	CKE1057	YKE5010
	19	Sub Heat Sink	CNR1812	YNR5052
	20	Sub Heat Sink	CNR1813	YNR5053
	26	Screw	BMZ40P200FTB	Not used
*	27	Seal	CAN3984	Not used
	28	Holder	CNV8522	Not used
	29	Nut	NB40FTB	Not used
	30	Washer	WB40FTB	Not used
	31	Cover	Not used	YNR5044
	32	Screw	Not used	IBZ30P100FTC



ELECTRICAL PARTS LIST(Page 16)

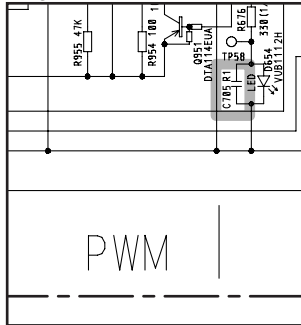
AMP UNIT

Circuit Symbol and No.	Part Name	GM-320T/XU/UC	GM-3300T/XU/UC GM-3300T/XU/ES
Q659	Transistor	DTA124EU	DTA124EUA
Q701	Transistor	DTC114TU	DTC114TUA
Q703	Transistor	DTA114EU	DTA114EUA
Q704	Transistor	DTC114TU	DTC114TUA
Q951	Transistor	DTA114EU	DTA114EUA
D654	LED	FR1112H	VUB1112H-4B63B
L901	Choke Coil 30 μ H	CTH1324	CTH1355
R676		RD1/4PU471J	RD1/4PU331J
R677		RD1/4PU271J	RD1/4PU331J
C705		Not used	CKSQYB104K50

Circuit Symbol and No.	Part Name	GM-320T/XU/UC	GM-3300T/XU/EW5
Q659	Transistor	DTA124EU	DTA124EUA
Q701	Transistor	DTC114TU	DTC114TUA
Q703	Transistor	DTA114EU	DTA114EUA
Q704	Transistor	DTC114TU	DTC114TUA
Q951	Transistor	DTA114EU	DTA114EUA
D654	LED	FR1112H	VUB1112H-4B63B
L801	Chip Coil	Not used	LCTAW470J2520
L802	Chip Coil	Not used	LCTAW470J2520
L901	Choke Coil 30 μ H	CTH1324	CTH1355
R676		RD1/4PU471J	RD1/4PU331J
R677		RD1/4PU271J	RD1/4PU331J

Circuit Symbol and No.	Part Name	GM-320T/XU/UC	GM-3300T/XU/EW5
R815		RS1/16S0R0J	Not used
R816		RS1/16S0R0J	Not used
C652		CFTNA103J50	Not used
C705		Not used	CKSQYB104K50
C805		CKSRYB223K50	CKSRYB472K50
C806		CKSRYB223K50	CKSRYB472K50

Page 11 Address 5F



Page 10 Address 1B

