

Boston

**G5
GTR**

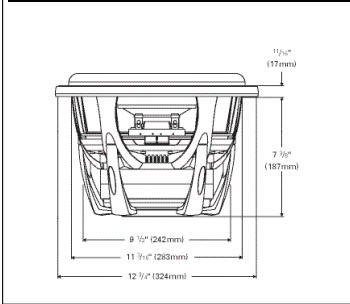
Boston

G5 Specifications/Enclosure Recommendations

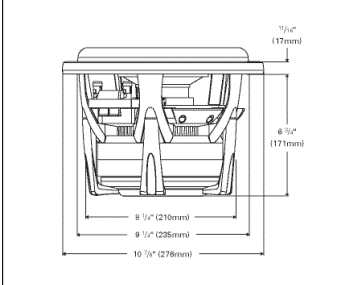
Model:	G51244	G5124	G51044	G5104
Nominal Size:	12"	12"	10"	10"
RMS Power Handling:	450w	450w	450w	450w
Impedance:	Dual 4o	Single 4o	Dual 4o	Single 4o
Frequency Response:	20-350Hz	20-350Hz	24-350Hz	24-350Hz
Mounting Cutout Diameter:	11 3/16" (283mm)	11 3/16" (283mm)	9 1/4" (235mm)	9 1/4" (235mm)
Mounting Depth:	7 3/8" (187mm)	7 3/8" (187mm)	6 3/4" (171mm)	6 3/4" (171mm)
Recommended Sealed Enclosure Volume*:	1.0 ft ³ (28.3L)	1.0 ft ³ (28.3L)	0.5 ft ³ (14.2L)	0.5 ft ³ (14.2L)
Q-Tune*†: (HP & Q Setting)	28Hz@0.7	28Hz@0.7	33Hz@0.7	33Hz@0.7
Recommended Ported Enclosure Volume*:	2.0 ft ³ (56.6L)	2.0 ft ³ (56.6L)	1.3 ft ³ (36.8L)	1.3 ft ³ (36.8L)
Vent Diameter:	4" (10cm)	4" (10cm)	3" (7.6cm)	3" (7.6cm)
Vent Length:	14" (36cm)	14" (36cm)	11" (28cm)	11" (28cm)
Tuning Frequency:	33Hz	33Hz	34Hz	34Hz
Q-Tune*†: (HP & Q Setting)	33Hz@1.0	33Hz@1.0	34Hz@0.9	34Hz@0.9

*Enclosure volumes include basket and port displacement
†Q-Tune* is a feature found on Boston GT Amplifiers

G512 Basket Dimensions

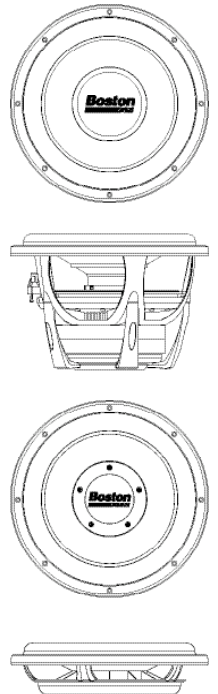


G510 Basket Dimensions



Boston Acoustics, Inc. 300 Jubilee Drive, Peabody, MA 01960 USA
T: 978.538.5000 F: 978.538.5100 W: bostonacoustics.com

Q-Tune, SureSet, and TunableRadiator are trademarks and Boston, Boston Acoustics, and the Boston Acoustics logo are registered trademarks of Boston Acoustics, Inc. Specifications are subject to change without notice. All rights reserved. Covered by patents issued and/or pending. © 2004 Boston Acoustics, Inc.



G5 Thiele-Small Parameters

Model:	G512-44		G512-4		G510-44		G510-4	
	Parallel	Series	Parallel	Series	Parallel	Series	Parallel	Series
Fs: (Hz)	28.88	28.88	29.65	32.37	32.37	34.51		
Re: (Ohms)	1.55	6.20	3.33	1.54	6.16	3.28		
Qms:	9.93	9.93	9.94	9.19	9.19	10.47		
Qes:	0.49	0.49	0.62	0.50	0.50	0.58		
Qts:	0.47	0.47	0.58	0.47	0.47	0.55		
Vas: (Liters)	75.28	75.28	74.53	29.77	29.77	29.54		
Mms: (Grams)	148.5	148.5	135.8	122.4	122.4	109.4		
Cms: (µM/Newton)	215	215	213	198	198	197		
Xmax: (Mm)	15.0	15.0	15.3	15.0	15.0	15.3		
Xmech: (Mm)	45.0	45.0	45.0	45.0	45.0	45.0		
Sd: (CM ²)	499	499	499	327	327	327		
Bl: (Tesla-M)	9.15	18.30	11.72	8.76	17.52	11.60		
SPL Eff: (dB @ 1w/1m)	87.2	87.2	86.8	84.9	84.9	85.0		
SPL Sen: (dB @ 2.83v)	94.3	88.3	90.6	92.0	86.0	88.9		

G5 - High Performance Subwoofers
GTR - TunableRadiators™

042-001933-0

**G5
GTR**

Single G5 Enclosure Design Example - Sealed

Model: **G512"** **G10"**

H = Height: 10.5" (26.7cm) 7.5" (19.1cm)

W = Width: 13.0" (33.1cm) 11.0" (28.0cm)

D = Depth: 13.0" (33.1cm) 11.0" (28.0cm)

Gross Volume: 1.0 Ft³ (28.3L) 0.5 Ft³ (14.2L)

Q-Tune™: (HP & Q) 28Hz@0.707 33Hz@0.707

Enclosure dimensions are internal and include basket displacement
This enclosure shape is an example and these dimensions can be modified provided that the exact internal volume is retained
1/2-inch thick M.D.F. is recommended as a minimum
1Q-Tune™ is a feature found on Boston GT Amplifiers

Single G5 Enclosure Design Example - Ported

Model: **G512"** **G510"**

H = Height: 15.5" (39.8cm) 12" (30.5cm)

W = Width: 16.5" (42.0cm) 13.25" (33.7cm)

D = Depth: 14" (35.6cm) 14" (35.6cm)

P = Port Clearance: 4" (10cm) 3" (7.6cm)

Gross Volume: 2.0 Ft³ (56.6L) 1.3 Ft³ (36.8L)

Port Diameter: 4" (10cm) 3" (7.6cm)

Port Length: 14" (36cm) 11" (28cm)

Q-Tune™: (HP & Q) 33Hz@1.0 34Hz@1.0

Enclosure dimensions are internal and include basket and port displacement
This enclosure shape is an example and these dimensions can be modified provided that the exact internal volume is retained and that there is adequate space behind the vent (diameter of port from the back and side walls)
1/2-inch thick M.D.F. is recommended as a minimum
*Recommended distance from sides and back walls of enclosure
1Q-Tune™ is a feature found on Boston GT Amplifiers

G5 Included Hardware

Model:	G21244	G2124	G21044	G2104
Hex Key 2.5mm	1	1	1	1
7.5-Amp Fuse:	2	2	2	2
T-Nut M4:	8	8	8	8
Lock Washer M4:	8	8	8	8
Mounting Screw M4:	8	8	8	8
Wood Screw M4 x 38mm:	8	8	8	8

Single G5 Enclosure Design Example - GTR TunableRadiator™

Model: **G512" w/ GTR12** **G510" w/ GTR10**

H = Height: 13" (33.0cm) 9.5" (24.1cm)

W = Width: 13" (33.0cm) 9.5" (24.1cm)

D = Depth: 10.5" (266.7cm) 9.75" (24.8cm)

Gross Volume: 1.0 Ft³ (28.3L) 0.5 Ft³ (14.2L)

GTR Tuning / Q-Tune™ Setting Matrix:

Model: **G512" w/ GTR12** **G510" w/ GTR10**

Tuning Mode 1: 45Hz / 42Hz@0.7 50Hz / 45Hz@0.7

Tuning Mode 2*: 35Hz / 34Hz@1.0 35Hz / 34Hz@1.0

Tuning Mode 3: 30Hz / 30Hz@1.2 30Hz / 30Hz@1.2

Enclosure dimensions are internal and include basket and GTR displacement
These enclosure shapes are examples and these dimensions can be modified provided that the exact internal volume is retained and that there is adequate space behind the woofer and the GTR.
1/2-inch thick M.D.F. is recommended as a minimum
*Recommended distance from sides and back walls of enclosure
1Q-Tune™ is a feature found on Boston GT Amplifiers
*Factory Tuning Mode

SureSet™ Fuse Configurations

G51244 / G51044 **G5124 / G5104**

2-ohm operation 8-ohm operation 4-ohm

Note: The SureSet™ feature utilizes standard automotive ATC fuses to select between series or parallel voice-coil operation (DVC only). The fuses also provide voice-coil protection under transient conditions such as accidental momentary overdrive. The fuses will not protect against voice-coil failure resulting from long term high power abuse.

GTR TunableRadiator™ Included Hardware

Model: **GTR12** **GTR10**

Hex Key 2.5mm 1 1

T-Nut M4: 8 8

Lock Washer M4: 8 8

Mounting Screw M4: 8 8

Wood Screw M4 x 38mm: 8 8

Also included with all GTR TunableRadiators™ is the GTR Tuning Hardware, these parts are individually listed in the GTR TunableRadiator™ Tuning Hardware section.

Changing the tuning on the GTR TunableRadiators™

Note: The GTR TunableRadiator™ is shipped from the factory in "Tuning Mode #2".

- 1.Remove the dustcap.
- 2.Remove the center screw, lock washer, and washer that hold the mass to the GTR.
- 3.Select the desired tuning mode by placing the correct combination of mass, foam side down, on the center shaft. (use the tuning guide located below)
- 4.Install the center screw, lock washer, and washer and tighten.
- 5.Install the dustcap using all five screws.

Warning: The dustcap is a structural part of the GTR TunableRadiator™ and must be installed before use.

GTR TunableRadiator™ Tuning Frequency Chart

For single recommended G5/GTR enclosures

Tuning Mode: **GTR12** **GTR10**

Enclosure Volume: 1.0 Ft³ 0.5 Ft³

Tuning Mode 1: 45Hz 49Hz

Tuning Mode 2: 35Hz 35Hz

Tuning Mode 3: 30Hz 30Hz

Weight Chart

	Small Tuning Mass	Large Tuning Mass
Tuning Mode 1:	X	X
Tuning Mode 2:	1	1
Tuning Mode 3:	X	2

Key:
X = No Mass Used
1 = One Mass Used
2 = Two Mass Used

GTR TunableRadiator™ Tuning Hardware

Screw*
Lock Washer*
Washer*
Small Tuning Mass*
2 x Large Tuning Mass (1 installed* / 1 in hardware pack)

*Pre-installed on GTR from factory

G5 w/ GTR Enclosure Shape Examples

Listed below are several single G5 subwoofer using a GTR TunableRadiator™ enclosure shape examples.

Trapezoid

Side Top

Reverse

Top Front

Rectangle

Side Top

Wedge

Side Front

Square with Down-firing GTR

Side Front

SPS™ Removal and Installation

Please refer to the SPS™ Removal / Installation instruction sheet for information on disassembly and installation of the SPS™.