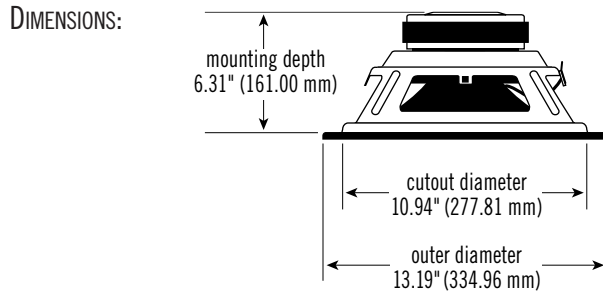


SPECIFICATIONS

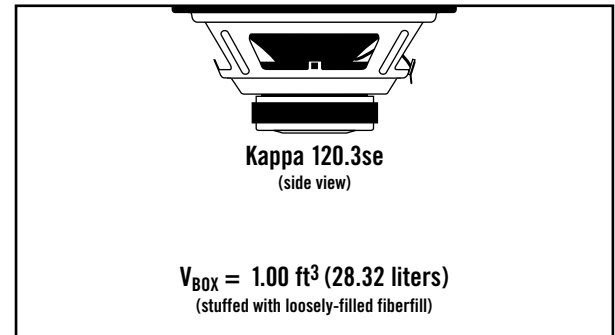
DIAMETER:	12" (304.8 mm)
SENSITIVITY (2.83 V @ 1m):	92 dB
POWER HANDLING:	300 W _{RMS} (1,200 W _{PEAK})
FREQUENCY RESPONSE:	18 ~ 250 Hz
NOMINAL IMPEDANCE:	4 OHMS
VOICE-COIL DIAMETER:	2.0" (50.0 mm)



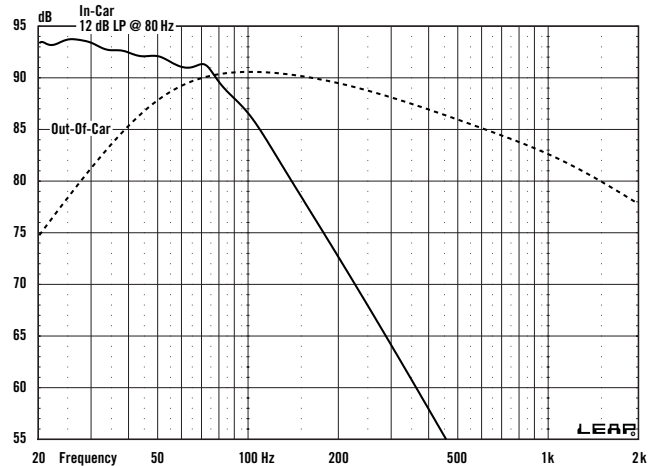
THIELE-SMALL PARAMETERS

VOICE COIL DC RESISTANCE:	R_{EVC} (OHMS)	3.56
VOICE COIL INDUCTANCE @ 1 kHz:	L_{EVC} (MH)	2.13
DRIVER RADIATING AREA:	S_D (IN ²)	76.11
	S_D (CM ²)	491.00
MOTOR FORCE FACTOR:	BL (TM)	15.51
COMPLIANCE VOLUME:	V_{AS} (FT ³)	1.96
	V_{AS} (LITERS)	55.61
SUSPENSION COMPLIANCE:	C_{MS} (µM/N)	162.44
MOVING MASS, AIR LOAD:	M_{MS} (GRAMS)	193.00
MOVING MASS, DIAPHRAGM:	M_{MD} (GRAMS)	186.74
FREE-AIR RESONANCE:	F_S (HZ)	28.43
MECHANICAL Q:	Q_{MS}	6.82
ELECTRICAL Q:	Q_{ES}	0.51
TOTAL Q:	Q_{TS}	0.48
MAGNETIC-GAP HEIGHT:	H_{AG} (IN)	0.39
	H_{AG} (MM)	10.00
VOICE-COIL HEIGHT:	H_{VC} (IN)	1.46
	H_{VC} (MM)	37.00
MAXIMUM EXCURSION:	X_{MAX} (IN)	0.53
	X_{MAX} (MM)	13.50

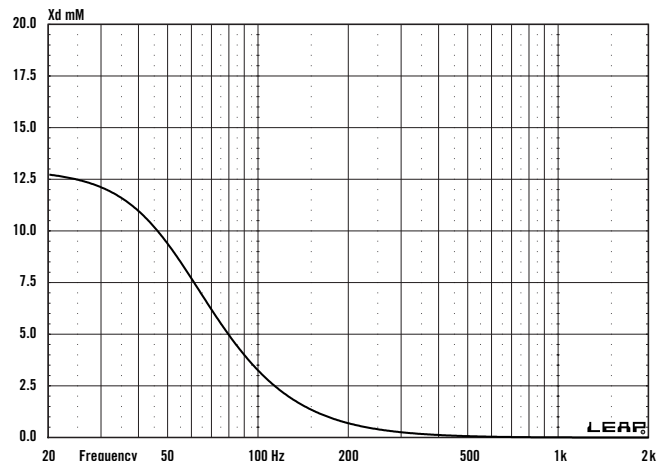
SEALED BOX VOLUME (INCLUDES DRIVER DISPLACEMENT)



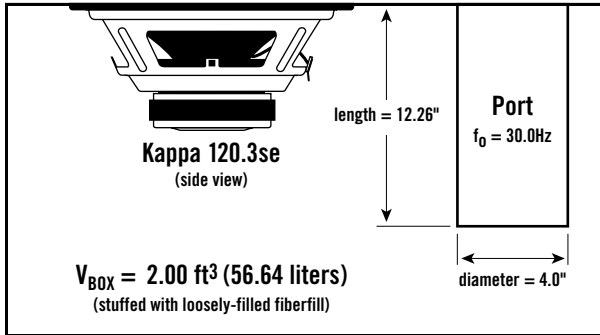
SEALED FREQUENCY RESPONSE @ 2.83 V



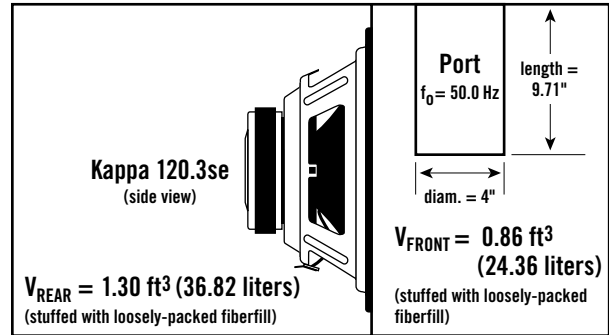
SEALED TRANSDUCER EXCURSION @ 300 W



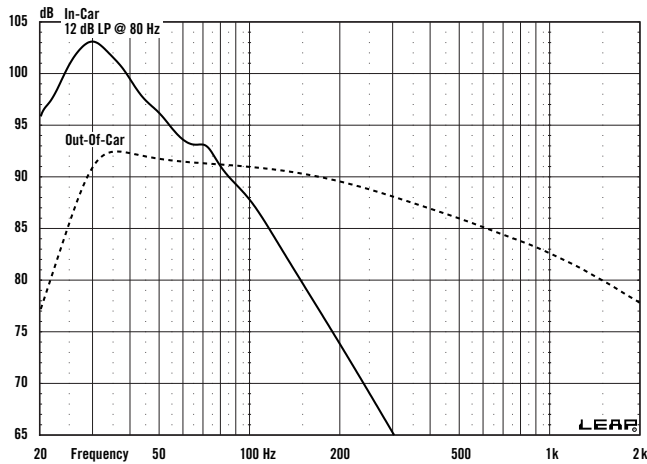
**VENTED BOX VOLUME
(INCLUDES DRIVER DISPLACEMENT)**



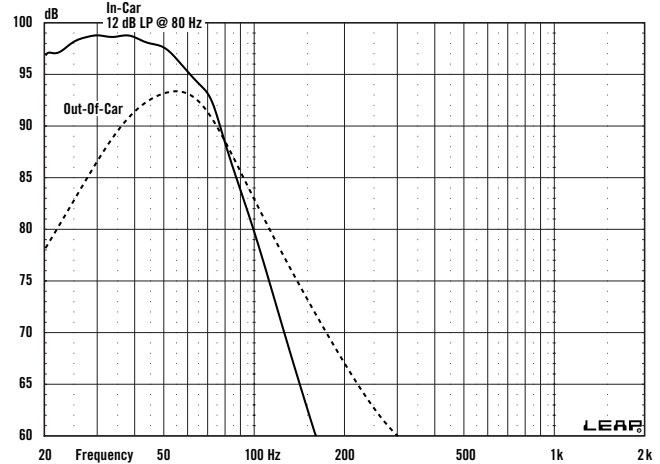
**SEALED BANDPASS BOX VOLUME
(INCLUDES DRIVER DISPLACEMENT)**



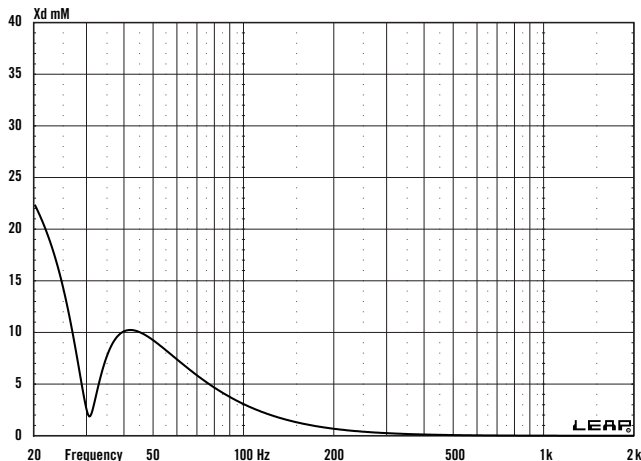
**VENTED
FREQUENCY RESPONSE @ 2.83 V**



**SEALED BANDPASS
FREQUENCY RESPONSE @ 2.83 V**



**VENTED
TRANSDUCER EXCURSION @ 300 W**



**SEALED BANDPASS
TRANSDUCER EXCURSION @ 300 W**

