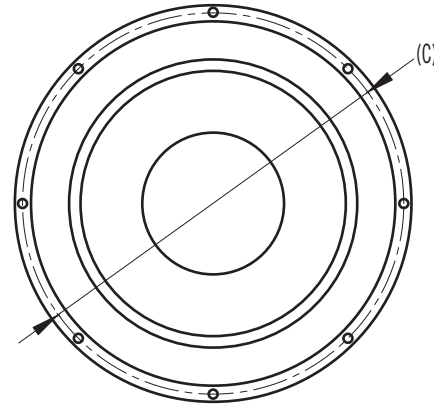
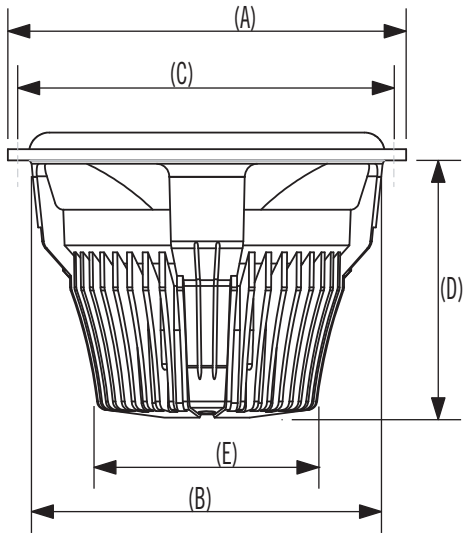


D9 BASS DRIVERS

Product Tech Sheet

PHYSICAL DIMENSIONS

| Dimension (inches) | D910 | D912 | D915 |
|---------------------------------|------|------|------|
| Total Diameter (A) | 10.7 | 12.4 | 15.6 |
| Mounting Diameter (B) | 9.4 | 11.1 | 14.2 |
| Screw Hole Diameter (C) | 9.98 | 11.7 | 14.8 |
| Mounting Depth (D) | 7.5 | 8 | 9.5 |
| Magnet Diameter (E) | 5.8 | 6.5 | 7.2 |
| Displacement (ft ³) | 0.11 | 0.15 | 0.22 |



THIELE/SMALL PARAMETERS

| Parameter (unit) | D910D2 | D910D4 | D912D2 | D912D4 | D915D2 | D915D4 |
|----------------------|----------|----------|----------|----------|-----------|-----------|
| SPL (dB) | 84.5 | 84 | 86.5 | 86 | 88.5 | 88 |
| Z (Ω) {series} | 4 | 8 | 4 | 8 | 4 | 8 |
| Re (Ω) {series} | 3.85 | 6.5 | 3.85 | 6.3 | 3.85 | 6.2 |
| Qms | 3.2 | 3.1 | 3.5 | 3.3 | 3.8 | 3.7 |
| Qes | 0.60 | 0.62 | 0.6 | 0.61 | 0.52 | 0.53 |
| Qts | 0.51 | 0.53 | 0.51 | 0.52 | 0.49 | 0.49 |
| Fs (Hz) | 34 | 35 | 33 | 34 | 24 | 26 |
| Vas (L) | 15 | 17.5 | 22 | 24 | 85 | 75 |
| Cms (mm/N) | 0.091 | 0.095 | 0.066 | 0.07 | 0.095 | 0.1 |
| Mms (g) | 230 | 205 | 330 | 296 | 465 | 405 |
| Sd (m ²) | 0.033 | 0.033 | 0.049 | 0.049 | 0.079 | 0.079 |
| BL (T*M) | 18 | 22.4 | 21 | 25 | 22.3 | 29 |
| Xmax (mm) | 22 | 22 | 24 | 24 | 26 | 26 |
| Power (W) NOM/MAX | 600/1200 | 600/1200 | 800/1600 | 800/1600 | 1000/2000 | 1000/2000 |

ENCLOSURES

| Sealed | D910 Opt | D910 Lg | D912 Opt | D912 Lg | D915 Spl | D915 Opt |
|------------------------------|-----------------|------------|-----------------|-----------|-----------------|------------|
| Vb (ft ³) | 0.6 | 1.25 | 1.0 | 2.0 | 1.65 | 2.0 |
| F3 (Hz) / Qtc | 51 / 0.705 | 52 / 0.592 | 47 / 0.689 | 48 / 0.59 | 44 / 0.747 | 44 / 0.703 |
| Pe (W) | 1000 | 600 | 1200 | 800 | 1500 | 1500 |
| Vented | D910 All Around | | D912 All Around | | D915 All Around | |
| Vb (ft ³) | 1.25 | | 1.75 | | 2.5 | |
| Fb / F3 (Hz) | 42 / 33 | | 35 / 29 | | 36 / 32 | |
| Port/s (in.) {dia. x length} | 4 x 16.25 | | 4 x 16 | | (2) 4 x 25 | |
| Pe (W) | 800 | | 1000 | | 1500 | |