

Brembo Part Number: 09.8894.14

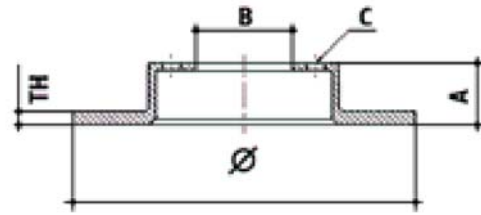
Info:



(13 inch wheel)

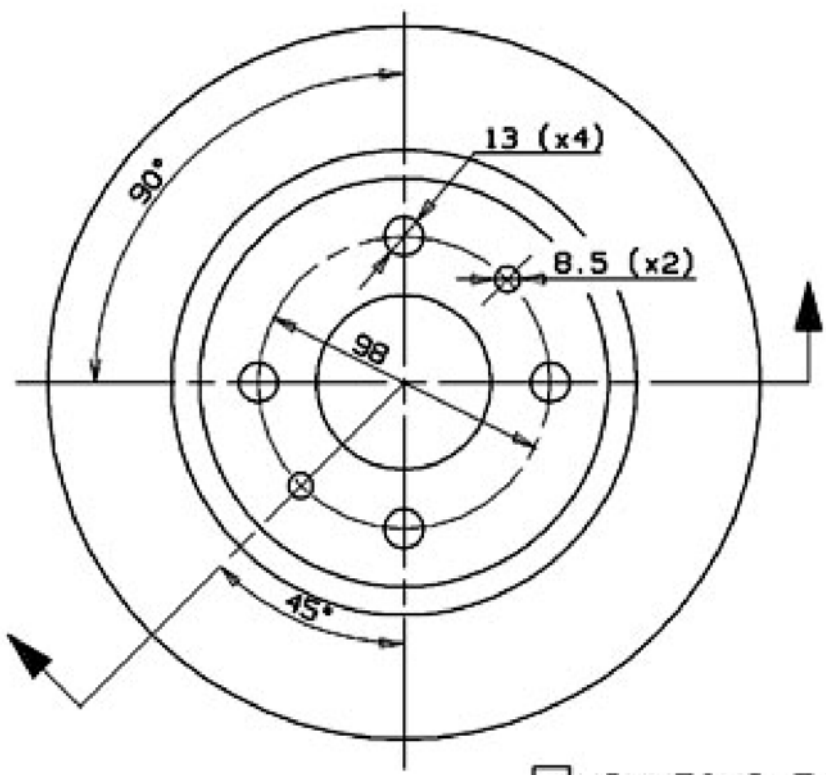
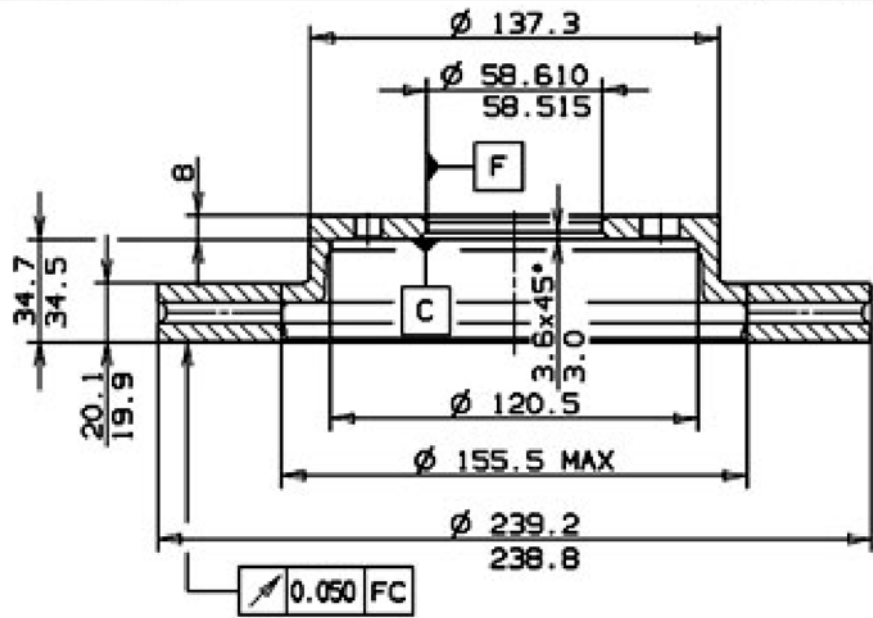
Misures (mm):

Ø	239	B	58.5
TH	20	C	4
Min TH	18	(daNm)	
A	41.3		



Tech image:

Tolerance values are for commercial information only and can be amended at any time.
© Brembo / All Rights Reserved.



C MOUNTING FACE
 Min. TH 18 mm
 Weight 4 Kg

Type DA