

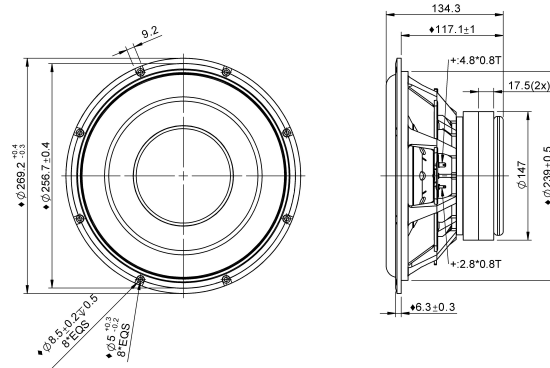
Subwoofer

This 10 inch 4 ohm member of the XLS product family has all the design features suitable for a high performance subwoofer driver. The motor features a double ferrite magnet motor, supporting high excursion, and aluminium shorting rings and pole extenders, lowering and linearizing the inductance of the overhung voice coil. The nomex cone is vented under the dust cap, to reduce air compression. The suspension system features a low-creep rubber surround, and a nomex spider, ensuring long-term reliability under high power conditions. The product also features a rigid cast aluminium basket.



XLS-P830452

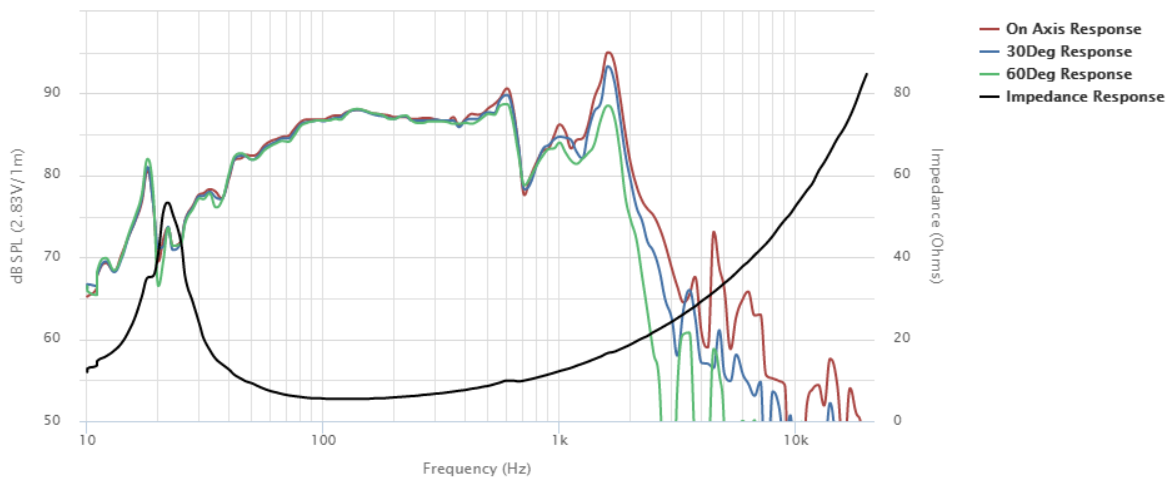
MECHANICAL 2D DRAWING



SPECIFICATIONS

DC Resistance	Revc	Ω	3.5	$\pm 5.0\%$	Moving Mass	Mms	g	143.1
Minimum Impedance	Zmin	Ω	5.38	$\pm 7.5\%$	Suspension Compliance	Cms	um/N	346.6
Voice Coil Inductance	Le	mH	0.97	-	Effective Cone Diameter	D	cm	21.1
Resonant Frequency	fs	Hz	22.6	15%	Effective Piston Area	Sd	cm ²	349.7
Mechanical Q Factor	Qms	-	3.67	-	Equivalent Volume	Vas	L	59.52
Electrical Q Factor	Qes	-	0.24	-	Motor Force Factor	BL	T•m	17.34
Total Q Factor	Qts	-	0.22	-	Motor Efficiency Factor	β	(T•m ²)/ Ω	85.9
Ratio	fs/Qts	-	101.78	-	Voice Coil Former Material	VCfm	-	BASV
Half Space Sensitivity	dB@2.83V/1m	dB	87.64	± 1.01	Voice Coil Inner Diameter	VCd	mm	51.32
Sensitivity	1W/1m	dB	85.9	± 1.01	Gap Height	Gh	mm	8
Rated Noise Power (IEC 268-5 18.1)	P	W	150	-	Maximum Linear Excursion	Xmax	mm	12.5
Test Spectrum Bandwidth		12 dB/Oct	20Hz-2KHz	-	Ferrofluid Type	FF	-	-
Energy Bandwidth Product	EBP	(1/Qes)•fs		-	Transducer Size		-	10 in
				-	Transducer Mass		Kg	5.91

FREQUENCY & IMPEDANCE RESPONSE



Highcharts.com