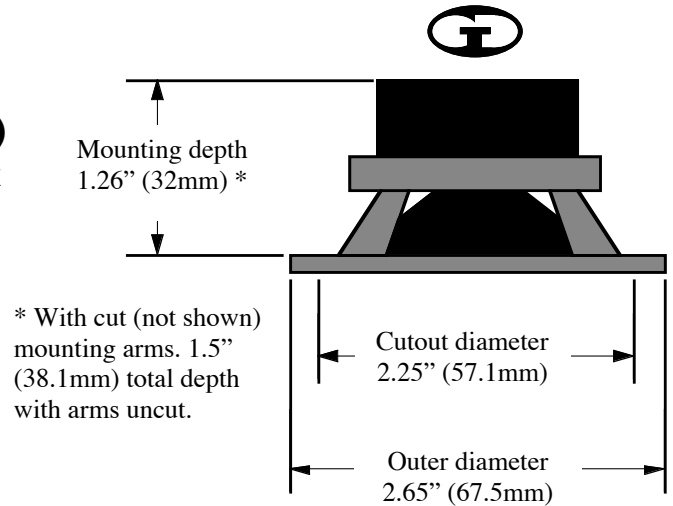


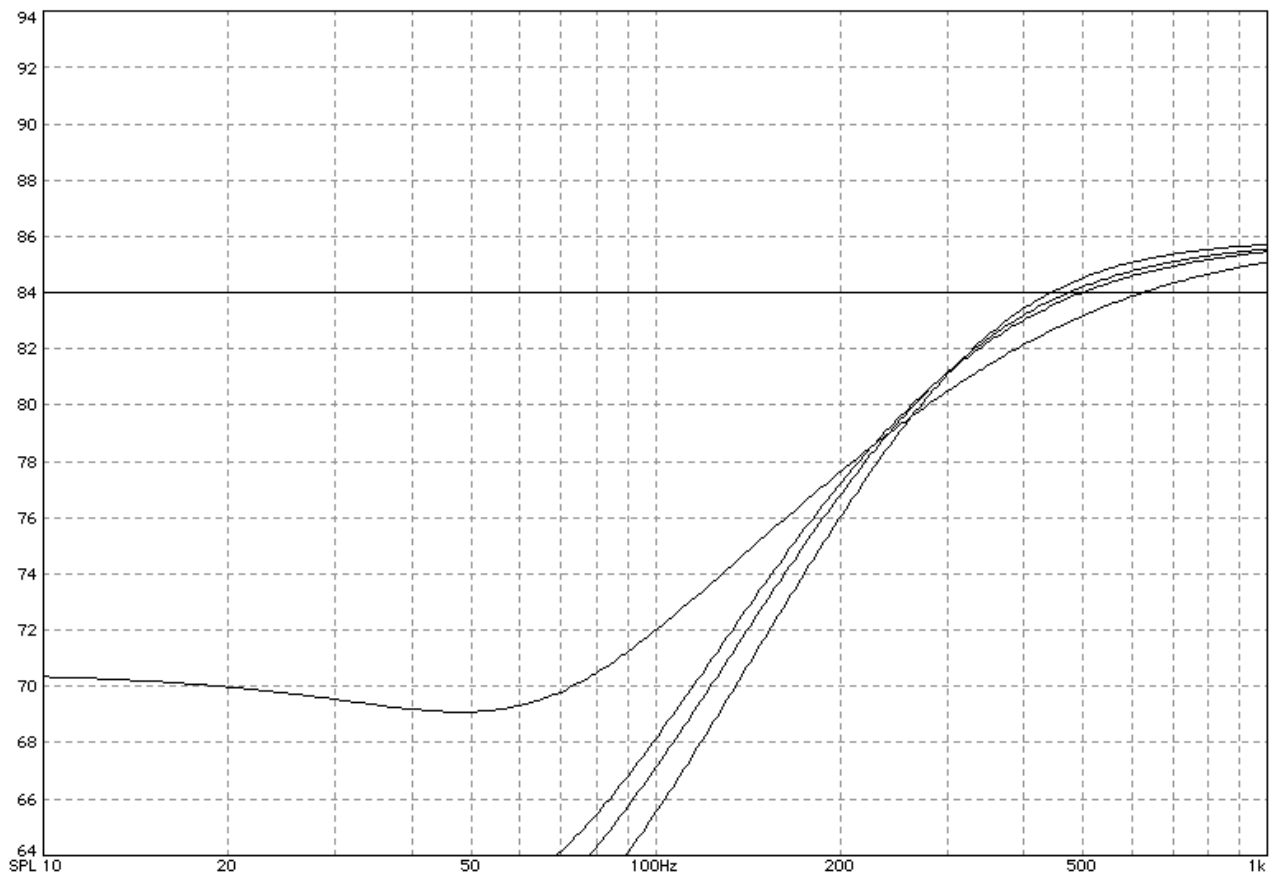
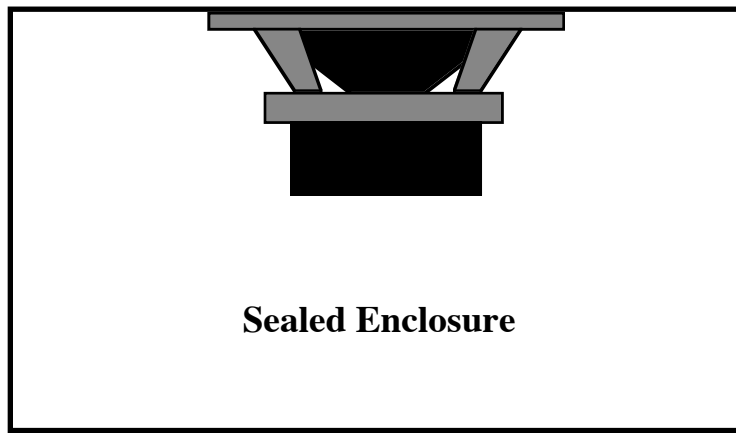
**Specifications**

<b>Diameter:</b>	<b>2.0" (52mm)</b>
<b>Sensitivity:</b>	<b>86 dB</b>
<b>Power Handling:</b>	<b>10 WRMS (20W Pk)</b>
<b>With crossover:</b>	<b>40~100 Watts Max</b>
<b>Frequency Response:</b>	<b>400 ~ 20,00 Hz</b>
<b>Nominal Impedance:</b>	<b>4 Ohms</b>
<b>Voice Coil Diameter:</b>	<b>1.0" (25mm)</b>
<b>Peak Xmax:</b>	<b>1mm</b>
<b>Magnet Weight:</b>	<b>Neodymium</b>
<b>Surround</b>	<b>Rubber</b>
<b>Frame</b>	<b>Cast Resin</b>
<b>Cone</b>	<b>Paper</b>

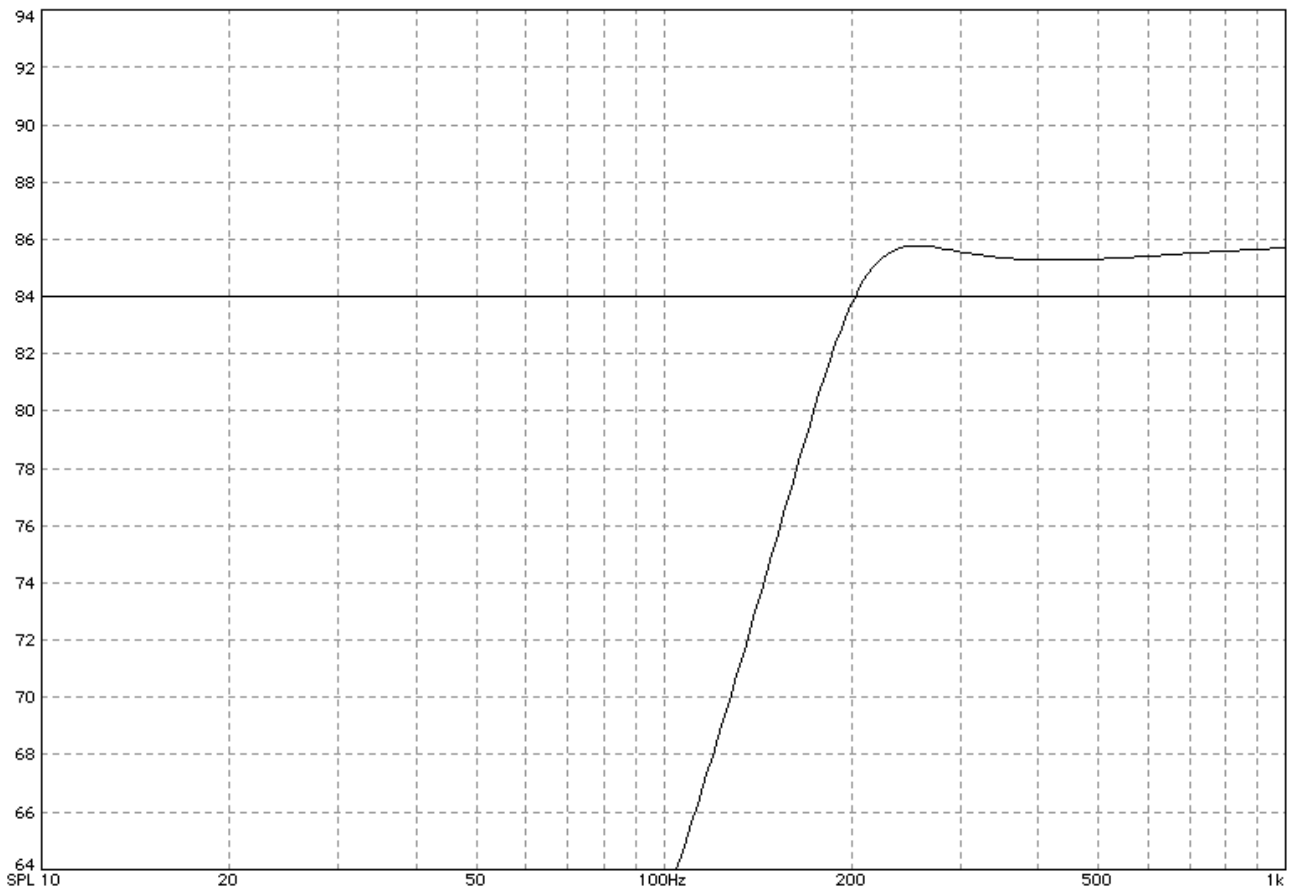
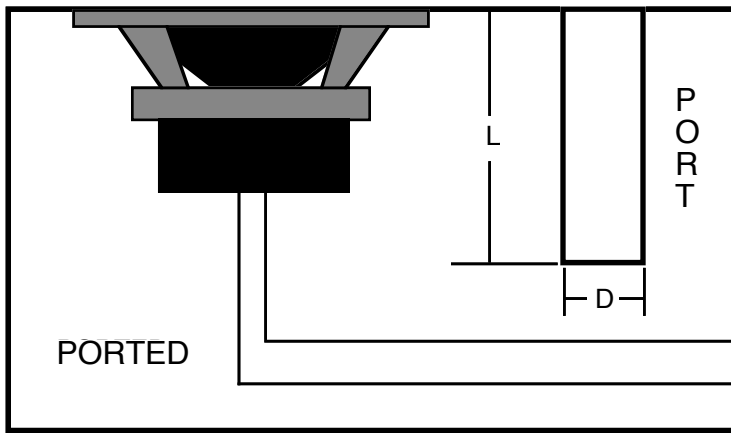


**Thiele-Small Parameters**

<b>Free Air Resonance:</b>	<b>155 Hz</b>
<b>Voice Coil DC Resistance:</b>	<b>3.6 ohms</b>
<b>Voice Coil Inductance @ 1 kHz:</b>	<b>0.026 mH</b>
<b>Mechanical Q (<math>Q_{ms}</math>):</b>	<b>4.56</b>
<b>Electrical Q (<math>Q_{es}</math>):</b>	<b>0.319</b>
<b>Total Q (<math>Q_{ts}</math>):</b>	<b>0.298</b>
<b>Compliance Volume (<math>V_{as}</math>):</b>	<b>0.22L; 0.0077 ft<sup>3</sup></b>
<b>Moving mass, Diaphragm:</b>	<b>1.125 Gr</b>
<b>Motor Force Factor:</b>	<b>3.5 Tm</b>



**Sealed Box Responses from top to bottom at 100Hz:  
 173, 6.05, 4.84, 3.62 cubic inches excluding driver displacement ~  
 1.65 cubic inches.**



**Ported Box for ideal installed response:**  
**8.64 cubic inches excluding driver and port tube displacement**  
**Approx 5.89 cubic inches should be allowed typically for both.**  
**200Hz port frequency, 5.4" long by .75" inner diameter port tube**  
**Tube OD assumed to be 1".**