

165 VRS

6" Polyglass 2-way

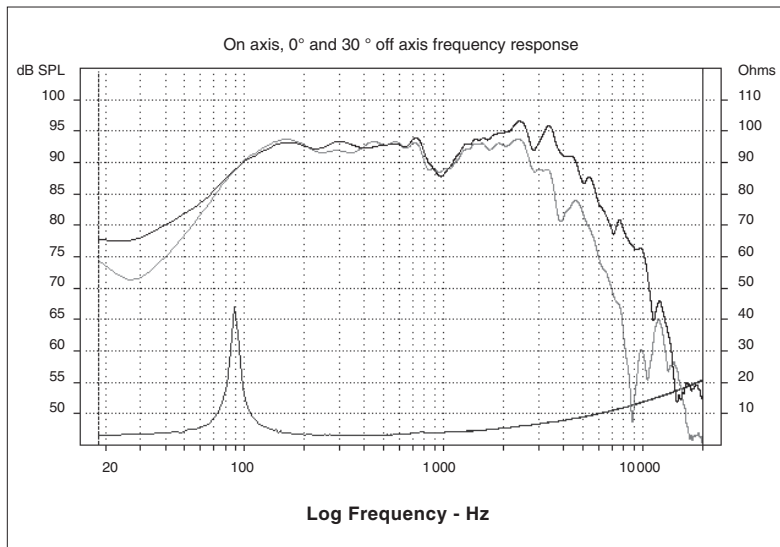
- Zamak chassis
- Polyglass cone, Butyl surround
- Neodymium magnet



Specifications

Nominal power	60 W	
Maximum power	120 W	
Sensitivity	93 dB	
Cone	Polyglass	
Surround	Butyl	
Nom. impedance	4 ohms	
DC resistance	2.7 ohms	
VC diameter	32 mm	
VC height	10 mm	
Former	Kapton	
Layers	2	
Wire	Copper	
Inductance	0.22 mH	
Xmax	3 mm	
Magnet d x h	-	
Magnet weight	350 g	0.77 lb
Flux density	1 T	
Gap height	4 mm	
Net weight	600 g	1.32 lb

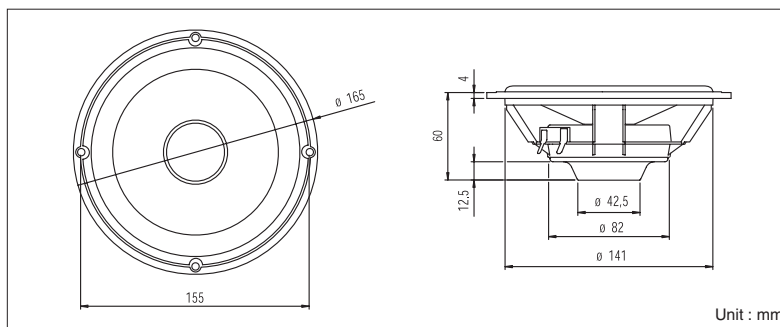
Frequency response / Impedance



Parameters

Fs	88.63 Hz	
Vas	6 l	0.212 Ft ³
Qts	0.659	
Qes	0.7	
Qms	11.31	
Re	2.7 ohms	
Sd	132.73 cm ²	20.57 in ²
Cas	4.27E-08 m ⁵ /N	
Mas	75.49 kg/m ⁴	
Ras	3717.03 ohms.ac	
Cms	2.42E-04 m/N	
Mms	13.3 g	0.03 lb
Rms	0.655 Kg/s	
Ces	465.56 mF	
Les	6.93 mH	
Res	43.62 ohms	
Bl	5.34 N/A	
SPL	89.6 dB/W/m	

Mechanical Drawing



Suggested application

Load	V (l)	Fb (Hz)	F-3 (Hz)	Ql
Sealed	30	-	100	7



FOCAL
THE SPIRIT OF SOUND