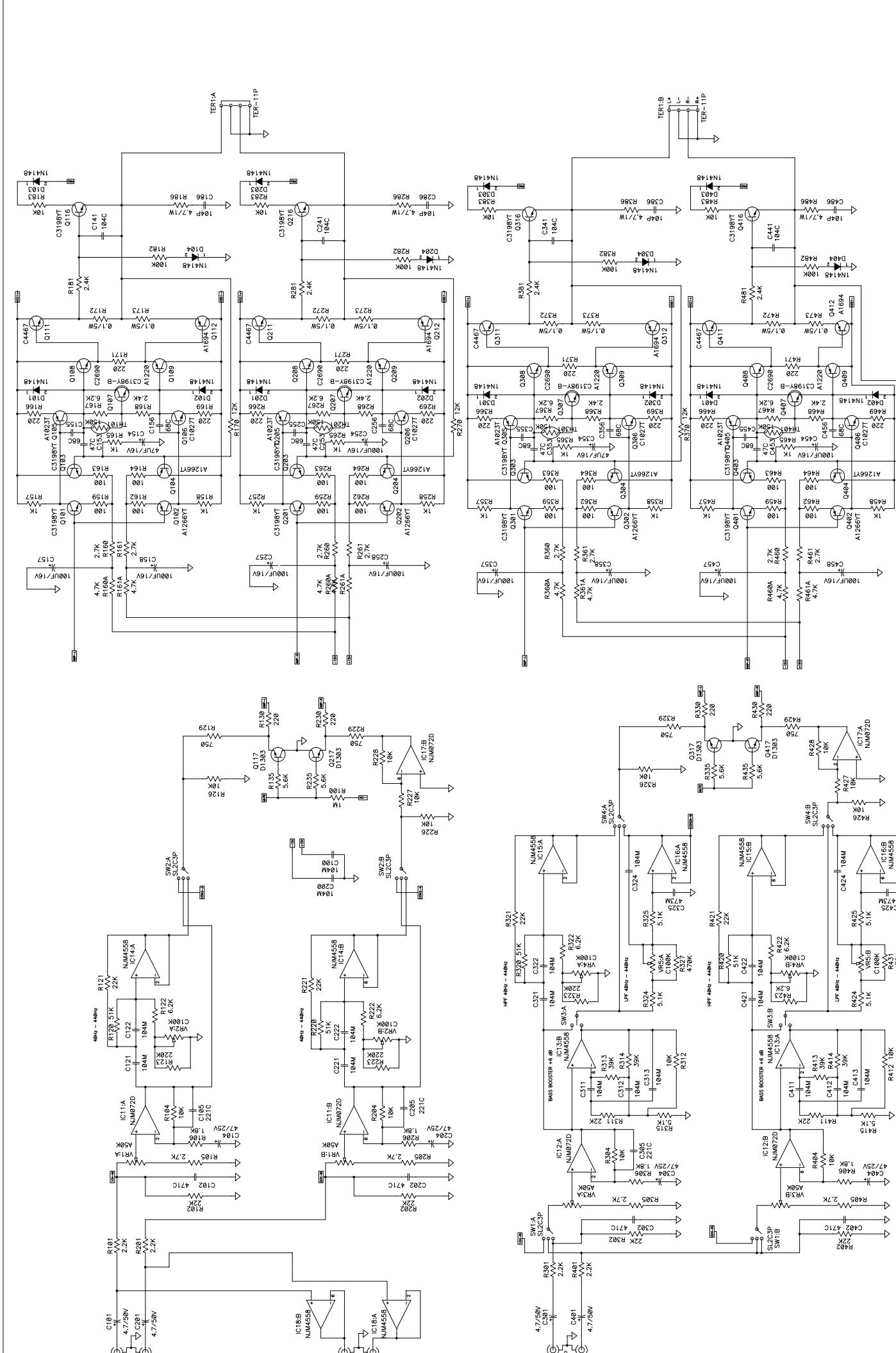
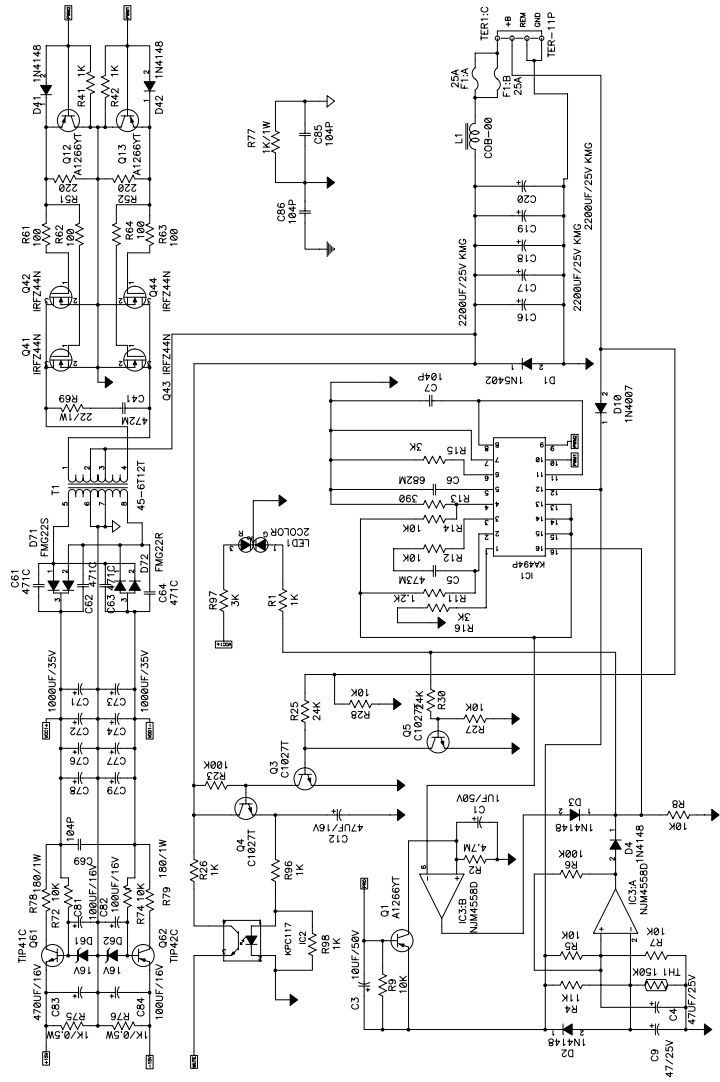




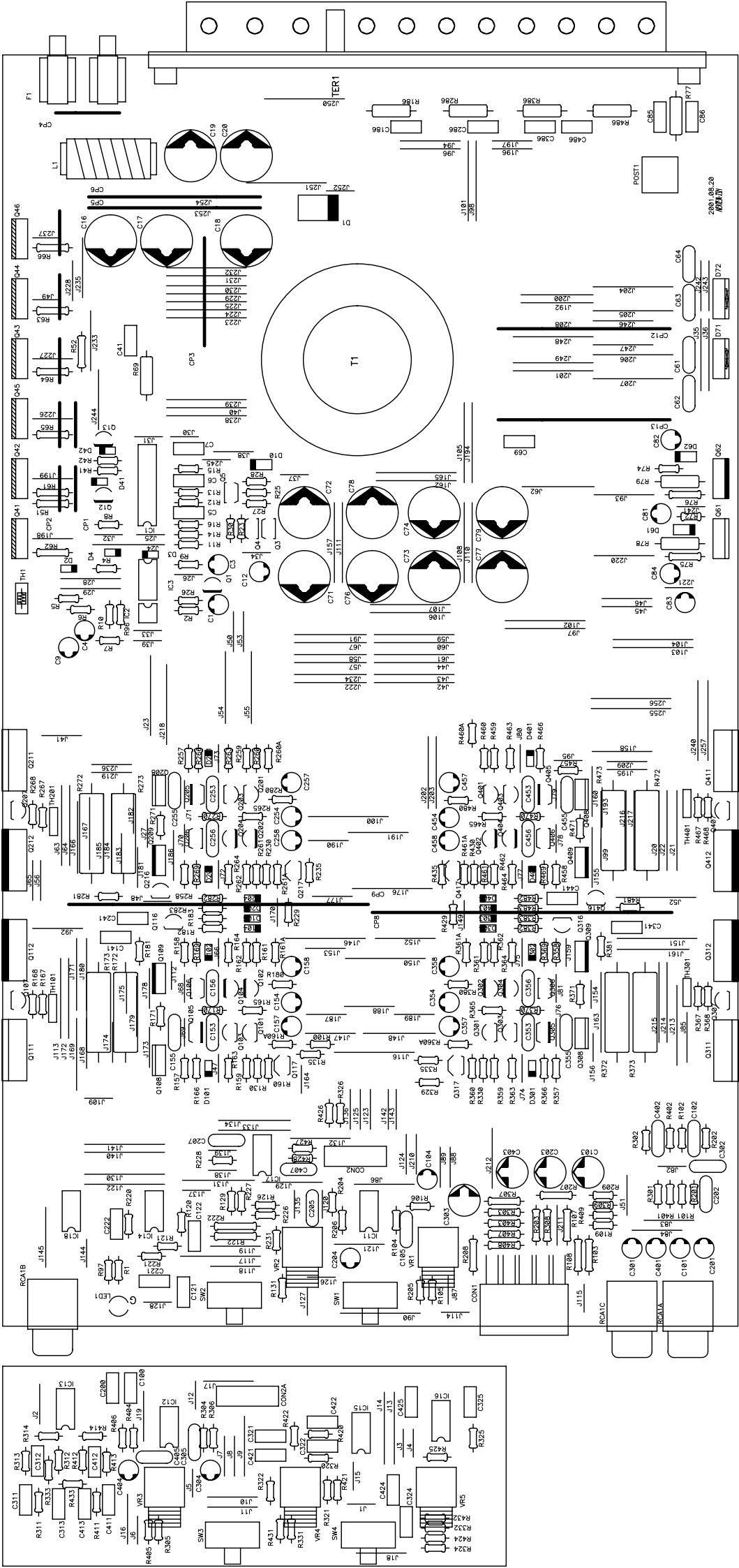
4051



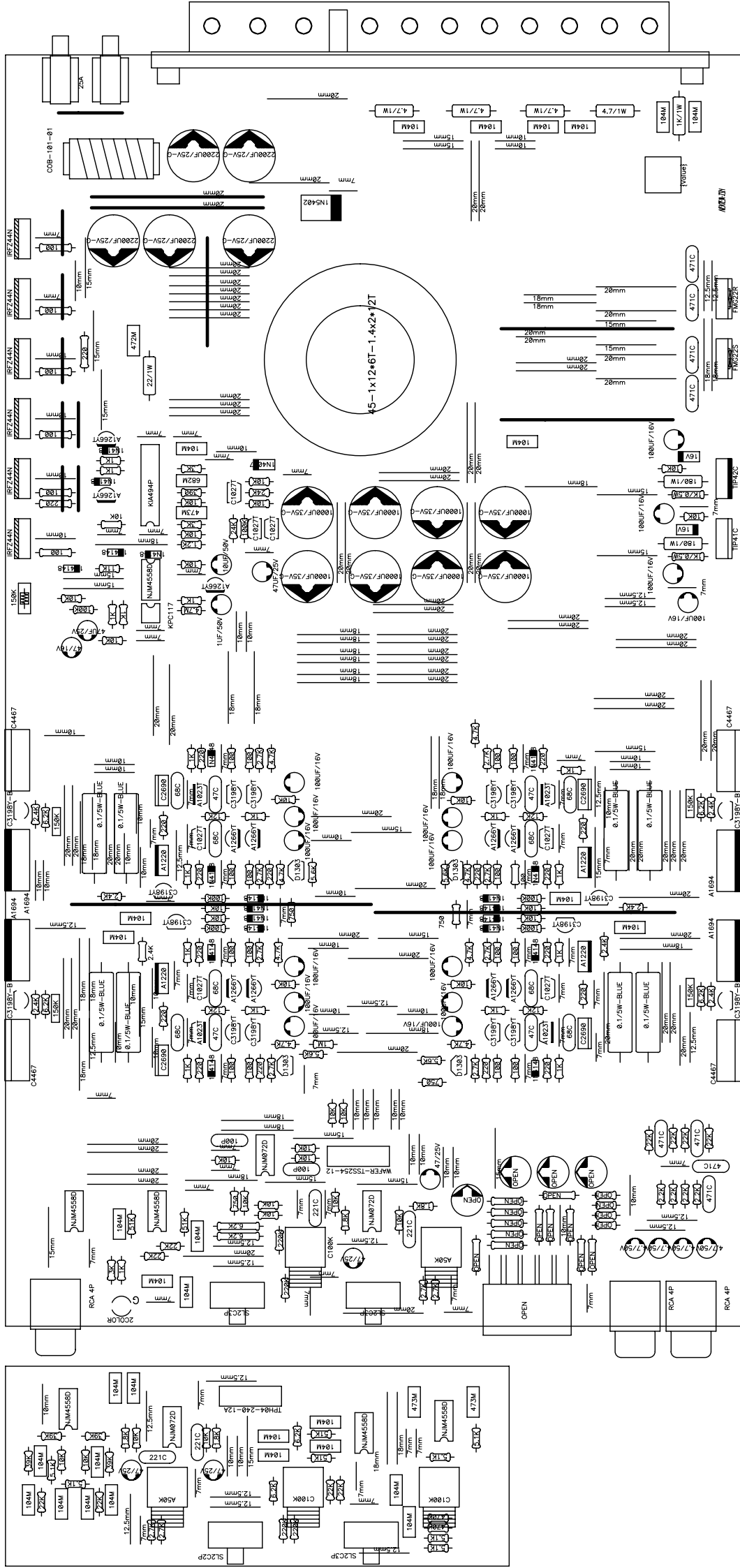
PRODUCT NAME . RECOTON  
 BRAND NAME . MAC ATTACK 4051  
 FILE NAME . MAC ATTACK 4051.SCH  
 ADDRESS NO . NA-S-051-61  
 REV. A  
 DRAWING. J.S.H



PRODUCT NAME . RECOTON1  
 BRAND NAME . MAC ATTACK 4051  
 FILE NAME . MAC ATTACK 4051.SCH  
 ADDRESS NO . NA-S-051-61  
 REV . A  
 DRAWING . J.S.H



**TOP VIEW.**  
**PRODUCT NAME. RECOTON**  
**BRAND NAME. MAC ATTACK 4051**  
**FILE NAME. MAC ATTACK 4051.PCB**  
**ADDRESS NO. NA-P-051-61**  
**REV. A**  
**DRAWING. J.S.H**



**TOP VIEW.**  
**PRODUCT NAME.** MAC ATTACK 4051  
**BRAND NAME.** MAC ATTACK 4051.PCB  
**FILE NAME.** MAC ATTACK 4051.PCB  
**ADDRESS NO.** NA-P-051-61  
**REV.** A  
**DRAWING.** J.S.H

**Mac Attack 4051**

Circuit Rev. A

CODE	ITEM	SPEC		Q'TY	Part No.
BART-148-03	COPPER TRACE	0.8t 48mm	1-0-0-1	2.000	CP12,CP13
BART-180-10	COPPER TRACE	0.8t 80mm	1-0-0-0-0-1	2.000	CP8,CP9
BART-221-01	COPPER TRACE	1.6t 21mm	1-1	1.000	CP4
BART-232-01	COPPER TRACE	1.6t 32mm	1-1-1	1.000	CP1
BART-232-02	COPPER TRACE	1.6t 32mm	1-0-1	1.000	CP3
BART-248-03	COPPER TRACE	1.6t 48mm	1-0-0-1	2.000	CP5,CP6
BART-280-01	COPPER TRACE	1.6t 80mm	1-1-1-1-1-1	1.000	CP2
CCEF-101SL-T	CERAMIC CAPACITOR	100pF/50V 5% SL *5	TAPPING	2.000	C207,C407
CCEF-221BK-T	CERAMIC CAPACITOR	220pF/50V 10% BK *5	TAPPING	2.000	C105,C205
CCEF-470CH-T	CERAMIC CAPACITOR	47pF/50V 5% CH *5	TAPPING	4.000	C153,C253,C353,C453
CCEF-471BK-T	CERAMIC CAPACITOR	470pF/50V 5% BK *5	TAPPING	8.000	C61,C62,C63,C64,C102,C202,C302,C402
CCEF-680SL-T	CERAMIC CAPACITOR	68pF/50V 5% SL *5	TAPPING	8.000	C155,C156,C255,C256,C355,C356,C455,C456
CMAI-104J-T	MYLAR CAPACITOR	0.1uF/100V 5%	TAPPING	16.000	C7,C69,C85,C86,C121,C122,C141,C186,C221,C222,C241,C286,C341,C386,C441,C486
CMAI-472J-T	MYLAR CAPACITOR	0.0047uF/100V 5%	TAPPING	1.000	C41
CMAI-473J-T	MYLAR CAPACITOR	0.047uF/100V 5%	TAPPING	1.000	C5
CMAI-682J-T	MYLAR CAPACITOR	0.0068uF/100V 5%	TAPPING	1.000	C6
COIL-COB101-01	BAR CHOKE COIL	COB-101-01		1.000	L1
CORE-RING-40	CORE RING	*40x3T		1.000	
DIODE-1N4007	DIODE	1N4007		1.000	D10
DIODE-1N4745	ZENER DIODE	1N4745 16V 1W		2.000	D61,D62
DIODE-1N5402	DIODE	1N5402		1.000	D1
DIODE-1SS133	DIODE	1SS133/1N4148		21.000	D2,D3,D4,D41,D42,D101,D102,D103,D104,D201,D202,D203,D204,D301,D302,D303,D304,D401,D402,D403,D404
FHD-002-03	FUSE HOLDER	DKF08021/F30440110P		1.000	F1
HEADER-35318-10	CONNECTOR	HEADER-35318-10		1.000	CON1
IC-NJM072D	OP AMP IC	NJM072D (DIP-8)		2.000	IC11,IC17
IC-NJM4558D	OP AMP IC	NJM4558D (DIP-8)		3.000	IC3,IC14,IC18
JUMP-52-07	JUMP WIRE	52mm *0.7 TAPPING		238.000	J20~J257
LED-SPR39MV	LED *3 2COLOR	SPR39MV		1.000	LED1
PAD-HF425-01	SILICON PAD	□ 10mm □ 23mm		41.000	100mm,100mm,100mm,110mm
PCB-PMC051-61	MAIN PCB	PMC-051-61(BLUE)		1.000	
RCA2-004-01	2P RCA JACK	JE0200591G		1.000	
RCA4-004-01	4P RCA JACK	JE0400601G		1.000	

RES1/2W-101M	RESISTOR	RES 1/2W MINI 100ohm	8.000	R107,R108,R207,R208,R307,R308, R407,R408
RES1/2W-102M	RESISTOR	RES 1/2W MINI 1K ohm	2.000	R75,R76
RES1/2W-391M	RESISTOR	RES 1/2W MINI 390ohm	4.000	R103,R203,R303,R403
RES1/4-101	RESISTOR	RES 1/4W 100 ohm	6.000	R61,R62,R63,R64,R65,R66
RES1/4-221	RESISTOR	RES 1/4W 220 ohm	2.000	R51,R52
RES1/4-242	RESISTOR	RES 1/4W 2.4K ohm	1.000	R281
RES1/4-622	RESISTOR	RES 1/4W 6.2K ohm	2.000	R122,R222
RES1/8-101	RESISTOR	RES 1/8W 100 ohm	16.000	R159,R162,R163,R164,R259,R262, R263,R264,R359,R362,R363,R364, R459,R462,R463,R464
RES1/8-102	RESISTOR	RES 1/8W 1K ohm	18.000	R1,R10,R26,R41,R42,R96,R157, R158,R165,R257,R258,R265,R357, R358,R365,R457,R458,R465
RES1/8-103	RESISTOR	RES 1/8W 10K ohm	28.000	R5,7-9,12,14,27,28,72,74,104, R126,180,183,204,226-228,280, R283,326,380,383,426,427,428, R480,483
RES1/8-104	RESISTOR	RES 1/8W 100K ohm	6.000	R6,R23,R182,R282,R382,R482
RES1/8-105	RESISTOR	RES 1/8W 1M ohm	1.000	R100
RES1/8-113	RESISTOR	RES 1/8W 11K ohm	1.000	R4
RES1/8-122	RESISTOR	RES 1/8W 1.2K ohm	1.000	R11
RES1/8-123	RESISTOR	RES 1/8W 12K ohm	4.000	R170,R270,R370,R470
RES1/8-182	RESISTOR	RES 1/8W 1.8K ohm	2.000	R106,R206
RES1/8-221	RESISTOR	RES 1/8W 220 ohm	16.000	R130,R166,R169,R171,R230,R266, R269,R271,R330,R366,R369,R371, R430,R466,R469,R471
RES1/8-222	RESISTOR	RES 1/8W 2.2K ohm	4.000	R101,R201,R301,R401
RES1/8-223	RESISTOR	RES 1/8W 22K ohm	6.000	R109,R121,R209,R221,R309,R409
RES1/8-224	RESISTOR	RES 1/8W 220K ohm	2.000	R131,R231
RES1/8-242	RESISTOR	RES 1/8W 2.4K ohm	7.000	R168,R181,R268,R368,R381,R468, R481
RES1/8-243	RESISTOR	RES 1/8W 24K ohm	2.000	R25,R30
RES1/8-272	RESISTOR	RES 1/8W 2.7K ohm	10.000	R105,R160,R161,R205,R260,R261, R360,R361,R460,R461
RES1/8-302	RESISTOR	RES 1/8W 3K ohm	3.000	R15,R16,R97
RES1/8-391	RESISTOR	RES 1/8W 390 ohm	1.000	R13
RES1/8-472	RESISTOR	RES 1/8W 4.7K ohm	8.000	R160A,R161A,R260A,R261A,R360A, R361A,R460A,R461A
RES1/8-475	RESISTOR	RES 1/8W 4.7M ohm	1.000	R2
RES1/8-513	RESISTOR	RES 1/8W 51K ohm	2.000	R120,R220
RES1/8-562	RESISTOR	RES 1/8W 5.6K ohm	4.000	R135,R235,R335,R435
RES1/8-622	RESISTOR	RES 1/8W 6.2K ohm	4.000	R167,R267,R367,R467
RES1/8-751	RESISTOR	RES 1/8W 750 ohm	4.000	R129,R229,R329,R429
SWL-2C3P-05	SLIDE SWITCH	SK-23D04-G-G 9mm	2.000	SW1,SW2
TER-010-11	11P TERMINAL	BULL 4CH	1.000	TER1

TH-E-150K	THERMISTOR	150K NON LUG		4.000	TH101,TH201,TH301,TH401
TH-M-150K	THERMISTOR	150K □ □ □		1.000	TH1
TRANS-PTS143-01	POWER TRANS	*45-1x10*6-1.4x2*12	BULL POWER 6000	1.000	T1
VR09-2016	MAIN VOLUME	15RS 15A 50K ohm 2□	RV095 GB Co	1.000	VR1
VR09-2026	MAIN VOLUME	15RS 15C 100Kohm 2□		1.000	VR2
WAFER-TSS254-12	WAFER	TSS254-12A		1.000	CON2
WIRE-CON-007-01	MINI CONNECTOR	CON-007-01	HI-LEVEL 10P	1.000	HI-LEVEL □ □ □ □
CEAC-101A0511T2	ELECTROLYTIC AL. CAP	100uF/16V +85 5x11	2.5mm TAPPING	16.000	C81,C82,C83,C84,C154,C157,C158, C254,C257,C258,C354,C357,C358, C454,C457,C458
CEAC-221A0611T2	ELECTROLYTIC AL. CAP	220uF/16V +85 6.3x11	2.5mm TAPPING	1.000	C12
CEAC-331A0812T5	ELECTROLYTIC AL. CAP	330uF/16V +85 8x11.5	5 mm TAPPING	4.000	C103,C203,C303,C403
CEAD-222B1325T5	ELECTROLYTIC AL. CAP	2200uF/25V 12.5x25	+105 5mm TAPPING	5.000	
CEAD-470A0511T2	ELECTROLYTIC AL. CAP	47uF/25V +85 5x11	2.5mm TAPPING	4.000	C4,C9,C104,C204
CEAE-102A1320T5	ELECTROLYTIC AL. CAP	1000uF/35V 12.5x20	+85 5 mm TAPPING	8.000	C71,C72,C73,C74,C76,C77,C78,C79
CEAF-010A0511T2	ELECTROLYTIC AL. CAP	1uF/50V +85 5x11	2.5 mm TAPPING	1.000	C1
CEAF-100A0511T2	ELECTROLYTIC AL. CAP	10uF/50V +85 5x11	2.5 mm TAPPING	1.000	C3
CEAF-4R7A0511T2	ELECTROLYTIC AL. CAP	4.7uF/50V +85 5x11	2.5mm TAPPING	4.000	C101,C201,C301,C401
FET-FQP50N06	FET	FQP50N06		4.000	Q41,Q42,Q43,Q44
FUSE-25A-10021	AUTO FUSE	25A PAT10021		4.000	F1,□ □ □ □
IC-KIA494P	PWM IC	KIA494P (DIP-16)		1.000	IC1
PHOTO-KPC117	PHOTO COUPLE	KPC117		1.000	IC2
RES1W-102M	RESISTOR	RES 1W MINI 1K ohm		1.000	R77
RES1W-181M	RESISTOR	RES 1W MINI 180 ohm		2.000	R78,R79
RES1W-220M	RESISTOR	RES 1W MINI 22 ohm		1.000	R69
RES1W-4R7M	RESISTOR	RES 1W MINI 4.7ohm		4.000	R186,R286,R386,R486
RES5W-R10WIRE	RESISTOR	RES 5W 0.1 ohm WIRE	6mm FORMING	8.000	R172,R173,R272,R273,R372,R373, R472,R473
TR-KSA1220A	TRANSISTOR	KSA1220A		4.000	Q109,Q209,Q309,Q409
TR-KSC2690A	TRANSISTOR	KSC2690A		4.000	Q108,Q208,Q308,Q408
TR-KTA1023-T	TRANSISTOR	KTA1023 TAPPING		4.000	Q105,Q205,Q305,Q405
TR-KTA1266-T	TRANSISTOR	KTA1266 TAPPING		11.000	Q1,Q12,Q13,Q102,Q104,Q202,Q204, Q302,Q304,Q402,Q404
TR-KTC1027-T	TRANSISTOR	KTC1027 TAPPING		7.000	Q3,Q4,Q5,Q106,Q206,Q306,Q406
TR-KTC3198-B	TRANSISTOR	KTC3198 BULK		4.000	Q107,Q207,Q307,Q407
TR-KTC3198-T	TRANSISTOR	KTC3198 TAPPING		12.000	Q101,Q103,Q116,Q201,Q203,Q216, Q301,Q303,Q316,Q401,Q403,Q416
TR-KTD1303-T	TRANSISTOR	KTD1303 TAPPING		4.000	Q117,Q217,Q317,Q417
TR-TIP41C	TRANSISTOR	TIP41C		1.000	Q61
TR-TIP42C	TRANSISTOR	TIP42C		1.000	Q62
DIODE-FMG22R	FAST RECOVERY	FMG22R		1.000	D72



DIODE-FMG22S	FAST RECOVERY	FMG22S		1.000	D71
TR-2SA1694	TRANSISTOR	2SA1694		4.000	Q112,Q212,Q312,Q412
TR-2SC4467	TRANSISTOR	2SC4467		4.000	Q111,Q211,Q311,Q411

**(FRONT)**

□ □	□ □	□ □	□ □ □ □	□ □ □ □ □ □	
CCEF-221BK-T	CERAMIC CAPACITOR	220pF/50V 10% BK *5	TAPPING	2.000	C305,C405
CMAI-104J-T	MYLAR CAPACITOR	0.1uF/100V 5%	TAPPING	14.000	C100,C200,C311,C312,C313,C321, C322,C324,C411,C412,C413,C421, C422,C424
CMAI-473J-T	MYLAR CAPACITOR	0.047uF/100V 5%	TAPPING	2.000	C325,C425
IC-NJM072D	OP AMP IC	NJM072D (DIP-8)		1.000	IC12
IC-NJM4558D	OP AMP IC	NJM4558D (DIP-8)		3.000	IC13,IC15,IC16
JUMP-52-07	JUMP WIRE	52mm *0.7	TAPPING	19.000	J1~J19
PCB-PFC007-61	FRONT PCB	PFC-006-61		1.000	
RES1/8-103	RESISTOR	RES 1/8W 10K ohm		4.000	R304,R312,R404,R412
RES1/8-182	RESISTOR	RES 1/8W 1.8K ohm		2.000	R306,R406
RES1/8-223	RESISTOR	RES 1/8W 22K ohm		4.000	R311,R321,R411,R421
RES1/8-224	RESISTOR	RES 1/8W 220K ohm		2.000	R331,R431
RES1/8-272	RESISTOR	RES 1/8W 2.7K ohm		2.000	R305,R405
RES1/8-393	RESISTOR	RES 1/8W 39K ohm		4.000	R313,R314,R413,R414
RES1/8-474	RESISTOR	RES 1/8W 470K ohm		2.000	R332,R432
RES1/8-512	RESISTOR	RES 1/8W 5.1K ohm		6.000	R324,R325,R333,R424,R425,R433
RES1/8-513	RESISTOR	RES 1/8W 51K ohm		2.000	R320,R420
RES1/8-622	RESISTOR	RES 1/8W 6.2K ohm		2.000	R322,R422
SWL-2C2P-05	SLIDE SWITCH	SK-22H02-G-G 9mm		1.000	SW3
SWL-2C3P-05	SLIDE SWITCH	SK-23D04-G-G 9mm		1.000	SW4
TPH04-240-12A	PIN HEADER	TPH04-240-12A		1.000	CON2A
VR09-2016	MAIN VOLUME	15RS 15A 50K ohm 2□	RV095 GB Co	1.000	VR3
VR09-2026	MAIN VOLUME	15RS 15C 100Kohm 2□		2.000	VR4,VR5
CEAD-470A0511T2	ELECTROLYTIC AL. CAP	47uF/25V +85 5x11	2.5mm TAPPING	2.000	C304,C404