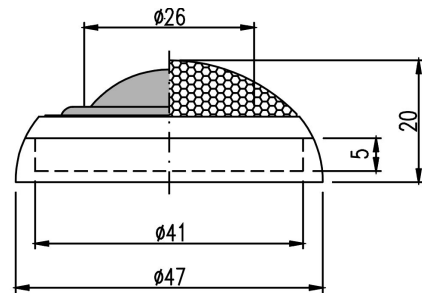


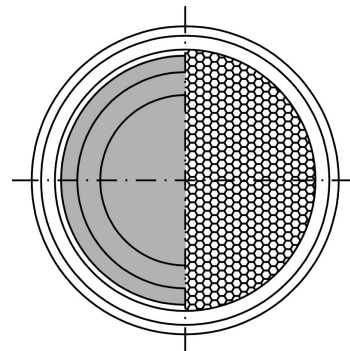
T 10

D:	1" – 26 mm
Re:	3,00 Ohm
Cms:	-
Le:	0,032
Znom:	4 ohm
Mms:	-
Pmax:	80 W 2,0 kHz
Fs:	1730 Hz
Bl:	1,41 N/A



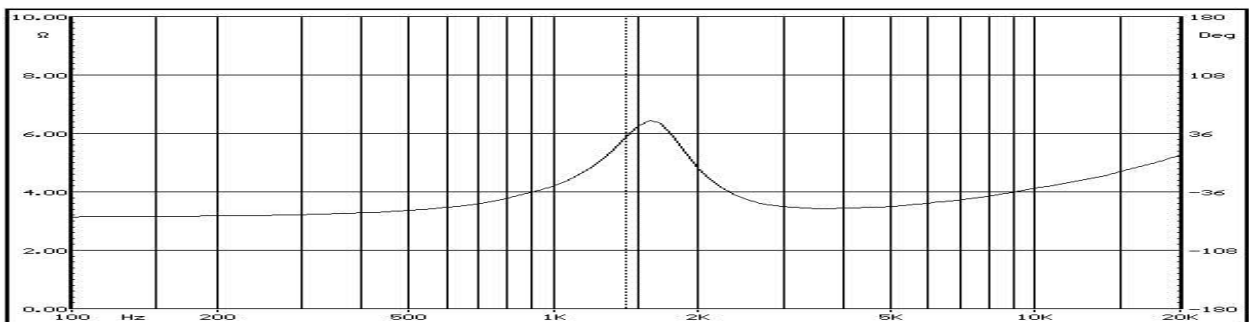
DESIGN FEATURES

- DOME: 26 mm diameter silk dome.
- VOICE COIL: Pure copper on aluminum former (\varnothing 25 mm)
- MAGNETIC CIRCUITATION: High thermal stability Neodimium, magnetized with an internal procedure.
- MOUNTING SYSTEM: Tri-mount with adaptors, for external, internal or baffle usage.

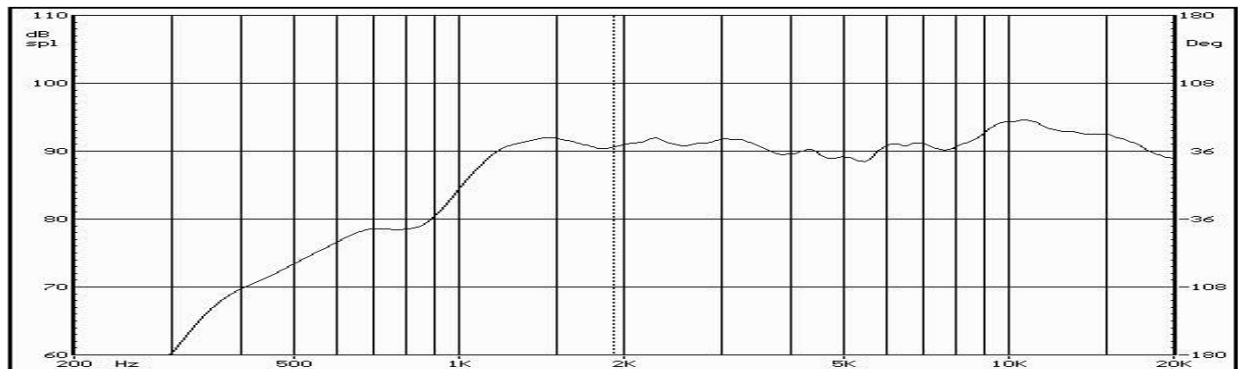


Dedicated to the "Ten" line, this tweeter is an all purpose item. Thanks to the dome shape and the careful evaluation of weights, its response is more aggressive and quick, ready for modern music.

T 10 IMPEDANCE



T 10 FREQUENCY RESPONSE



Due to the continue increase in the performances, the parameters are subject to change without notice.