

Model Number: DX25BG60-04
Product Line: Peerless Gold

Revision: Rev 1_0
Date: 1-Dec-10

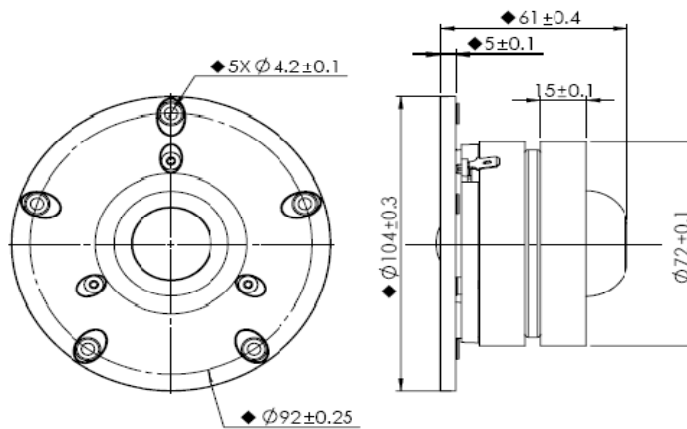


Product Description:

This DX family tweeter features a 4 ohm 25 mm ferrofluid-cooled voice coil, a damped silk diaphragm with large surround roll to produce a low resonant frequency, and a ferrite magnet motor which adds heat sinking for power handling capacity. The faceplate features recessed mounting holes to minimize reflections.



Mechanical 2D Drawing:



Specifications:

DC Resistance	R_{evc}	Ω	2.9	5.0%	Energy Bandwidth Product	EBP	$(1/Q_{es})f_s$	1061
Minimum Impedance	Z_{min}	Ω	3.6	7.5%	Moving Mass	M_{ms}	g	0.4
Voice Coil Inductance	L_e	mH	0.01		Suspension Compliance	C_{ms}	um/N	168
Resonant Frequency	f_s	Hz	644	15.0%	Effective Cone Diameter	D	cm	3.24
Mechanical Q Factor	Q_{ms}	-	2.75		Effective Piston Area	S_D	cm ²	8.2
Electrical Q Factor	Q_{es}	-	0.61		Equivalent Volume	V_{as}	L	0.016
Total Q Factor	Q_{ts}	-	0.50		Motor Force Factor	BL	T·m	2.65
Ratio f_s / Q_{ts}	F	f_s / Q_{ts}	1296		Motor Efficiency Factor	β	$(T \cdot m^2) / \Omega$	2.42
Half Space Sensitivity @ 2.83V	dB@2.83V/1m	dB	93.0	+/-1.0 ¹	Voice Coil Former Material	VC _m	-	ASV
Sensitivity @ 1W/1m	1W/1m	dB	88.6	+/-1.0 ¹	Voice Coil Inner Diameter	VC _d	mm	25.76
					Gap Height	Gh	mm	2.00
Rated Noise Power (IEC 2685 18.1)	P	W	80		Maximum Linear Excursion	X_{max}	mm	0.10
Test Spectrum Bandwidth	2.5kHz - 20kHz		12 dB/Oct		Ferrofluid Type	FF		APGS11N
					Transducer Size	-	inch	1
					Transducer Mass	-	Kg	0.8

1 - Piston Band Sensitivity Tolerance

Frequency and Impedance Response:

