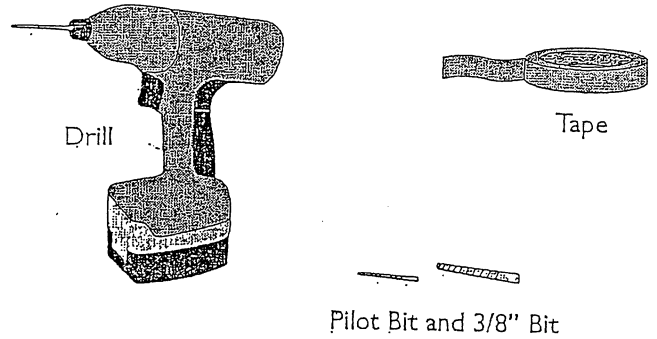
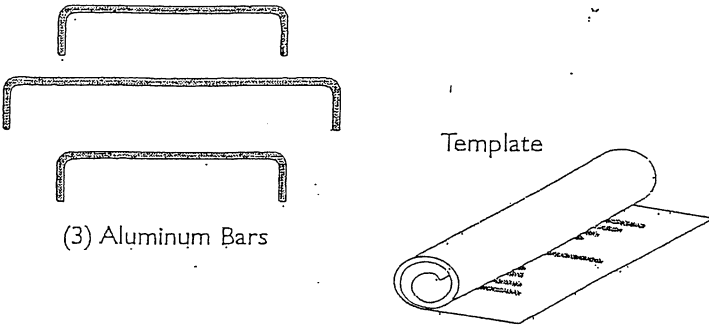


W7 GRILLE INSTALLATION INSTRUCTIONS

When installation of the W7 grille system is performed correctly, the bars will provide stylish protection for your subwoofer investment.

Kit Contents:

Necessary Tools:



Step-by-Step Procedure:

Step 1: Using the supplied template, determine the location and angle (if one is desired) for the three aluminum grille bars. The dotted lines on the template represent the cutouts for each of the four W7 models. Lining up the appropriate cutout will allow proper location of the grille bar mounting holes.

Step 2: Mark the location of each grille bar mounting hole (six total per woofer) on the surface that will hold the aluminum bars.

Step 3: Drill pilot holes in the locations of the marks made in Step 2 with a small diameter drill bit.

(CAUTION: Drill into the mounting surface only 1/2")

Hint #1: Attach a piece of tape around the drill bit 1/2" from the bit's tip. Use this as a guide when drilling so as to not drill too deeply. (see Figure #1)

Hint #2: Secure the drill bit into the drill so that 1/2" of the bit protrudes out the end of a deep well socket when the socket is placed over the drill bit. This will allow you to use the socket as a stopper allowing only 1/2" of the bit to go into the grille mounting surface. (see Figure #2)

Step 4: Drill 3/8" grille mounting holes in the locations of the pilot holes made in Step 3.

(CAUTION: Drill into the mounting surface only 1/2")

Step 5: Use an adhesive in the holes to secure the bars.

Step 6: Insert bars with a rubber mallet

This completes the installation.

Note: To touch-up the finish of the bars, rub a Scotch Brite pad across the poles in the same direction as the original "brush" marks. Rubbing the pad on the poles in a different direction will alter the original finish.

Final Appearance

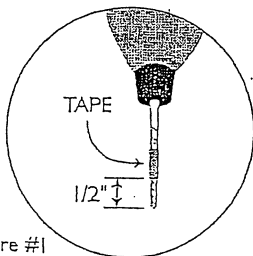
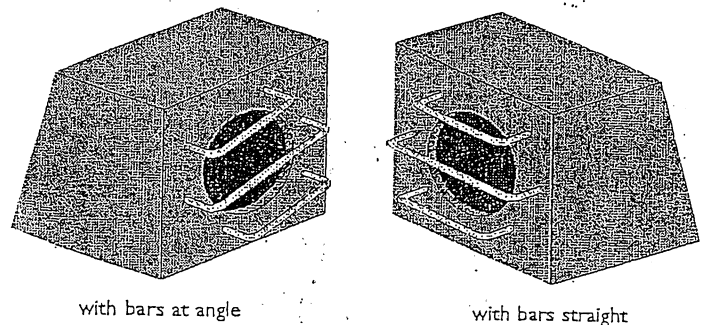


Figure #1

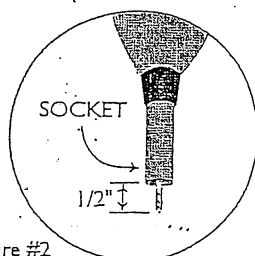
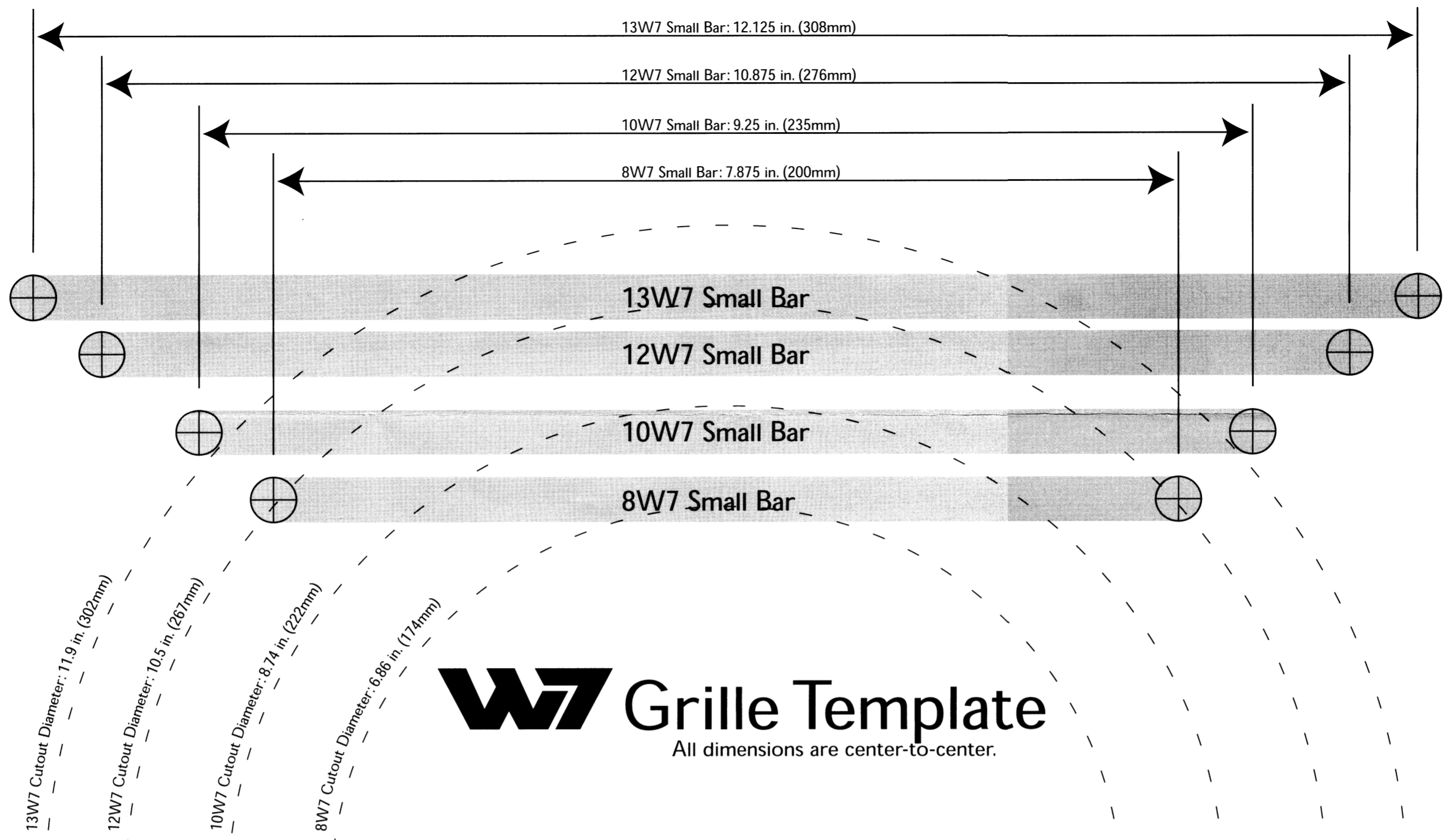


Figure #2



W7 Grille Template

All dimensions are center-to-center.

