

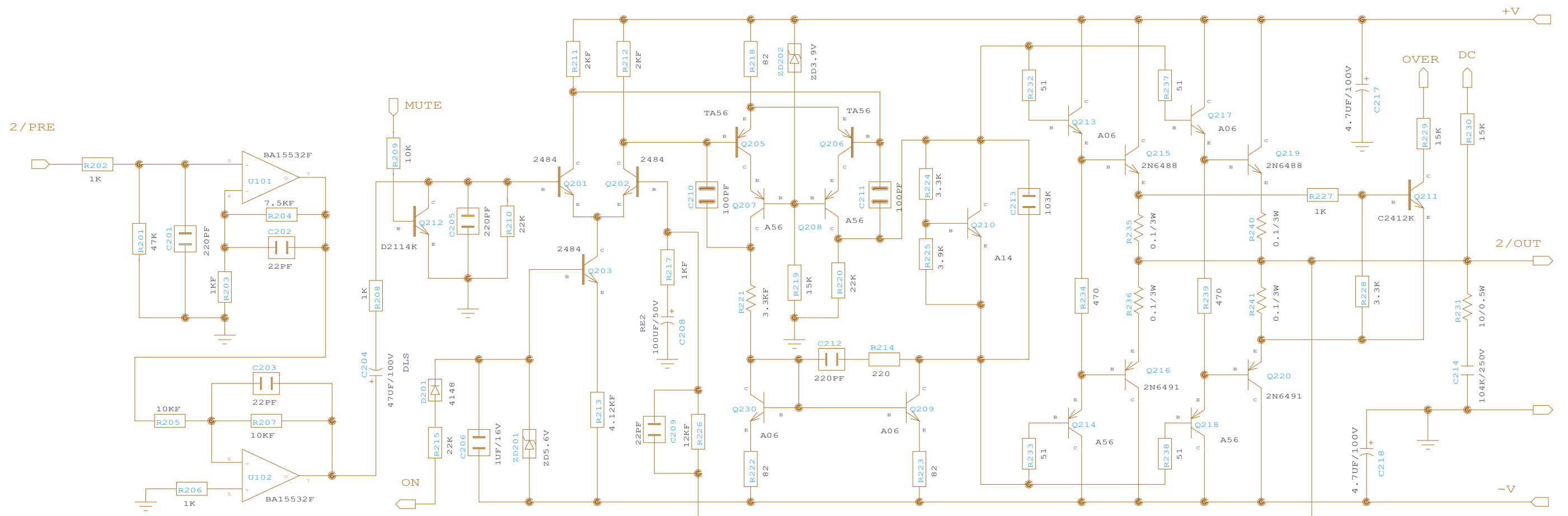
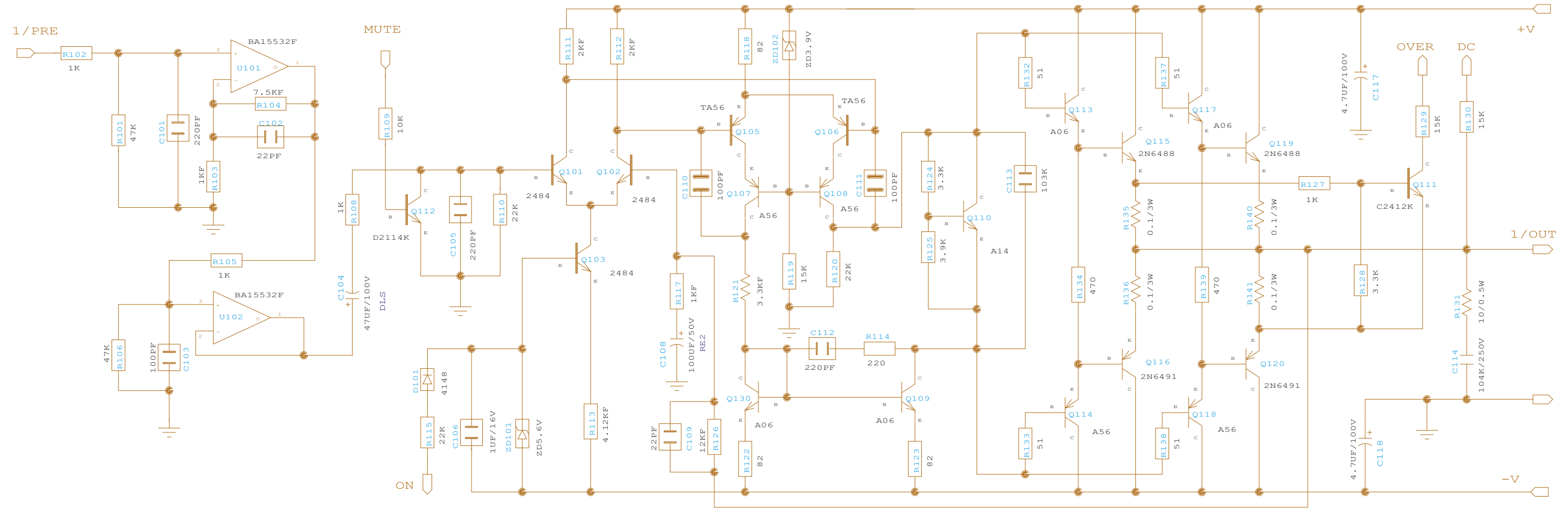
DAVIDART TECHNOLOGY CO., LTD.

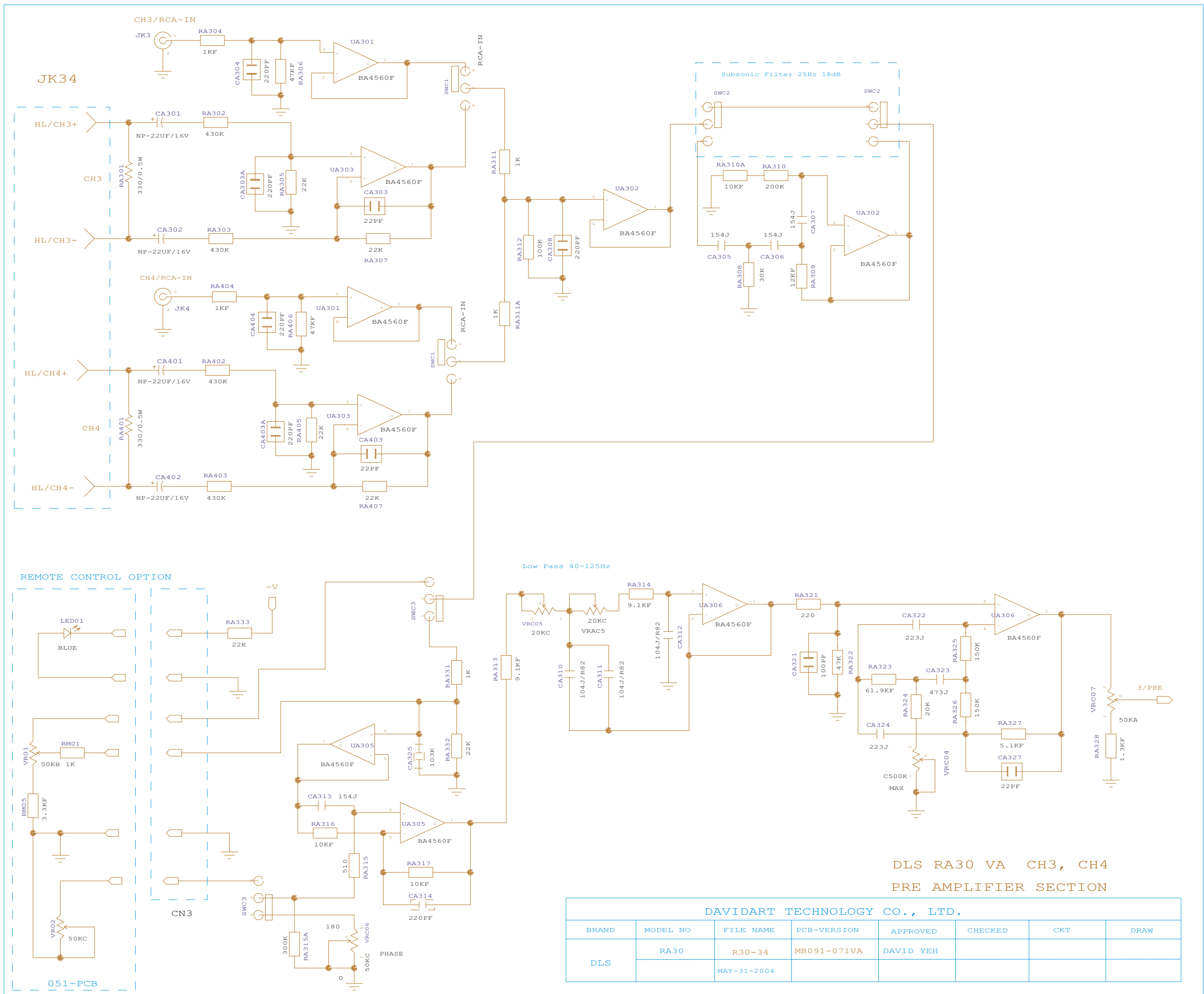
BRAND	MODEL NO	FILE NAME	PCB-VERSION	APPROVED	CHECKED	CKT	DRAW
DLS	RA30	R30-12		DAVID YEH			
		APR-24-2004					

DLS RA30 CH1, CH2
PRE AMPLIFIER SECTION

DLS RA30 CH1 CH2
POWER AMPLIFIER SECTION

DAVIDART TECHNOLOGY CO., LTD.							
BRAND	MODEL NO	FILE NAME	PCB-VERSION	APPROVED	CHECKED	CKT	DRAW
DLS	RA30	R30-12PW MAR-18-2004	MB091-071VA				

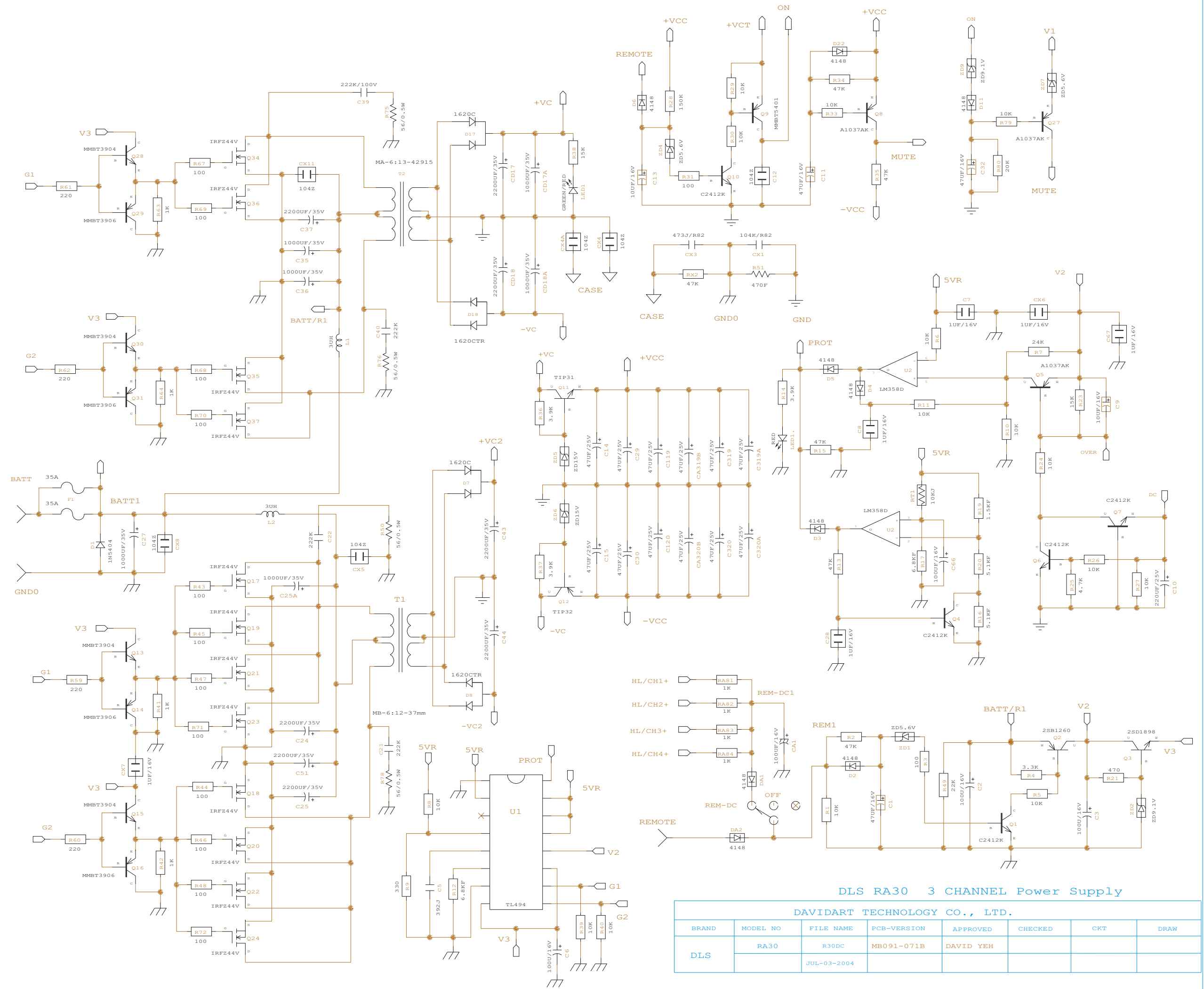




DLS RA30 VA CH3, CH4
PRE AMPLIFIER SECTION

DAVIDART TECHNOLOGY CO., LTD.

BRAND	MODEL NO	FILE NAME	PCB-VERSION	APPROVED	CHECKED	CKT	DRAW
DLS	RA30	R30-34	MB091-071VA	DAVID YEH			
		MAY-31-2004					



DLS RA30 3 CHANNEL Power Supply

DAVIDART TECHNOLOGY CO., LTD.

BRAND	MODEL NO	FILE NAME	PCB-VERSION	APPROVED	CHECKED	CKT	DRAW
DLS	RA30	R30DC	MB091-071B	DAVID YEHE			
		JUL-03-2004					