

100/1000BASE-TX Magnetics Module

Electrical Specifications: @25°C

IC Grade Transfer-Molded Package withstand 235°C IR Reflow

Turns Ratio: PRI/SEC 1CT:1CT ±3%

Isolation Voltage: 1500 Vrms (Input to Output)

OCL: 350uH Minimum @100KHz 100mV 8mADC

Insertion Loss: -1.0dB Maximum @1MHz ~ 100MHz

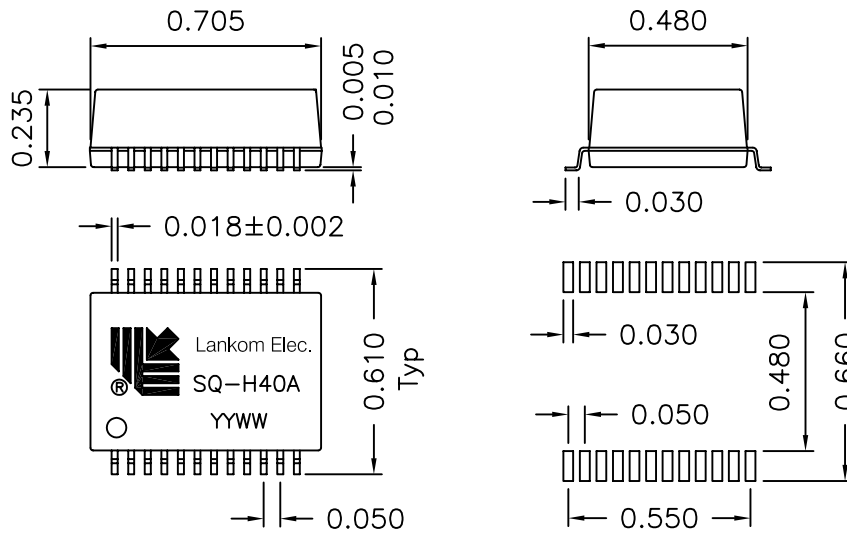
Return Loss: -18dB Minimum @1MHz ~ 30MHz / -14dB Minimum @40MHz
 -13dB Minimum @50MHz / -12dB Minimum @60MHz ~ 80MHz
 -10dB Minimum @100MHz

Crosstalk: -45dB Min @30MHz / -40dB Min @60MHz / -35dB Min @100MHz

Differential to Common Mode Rejection:

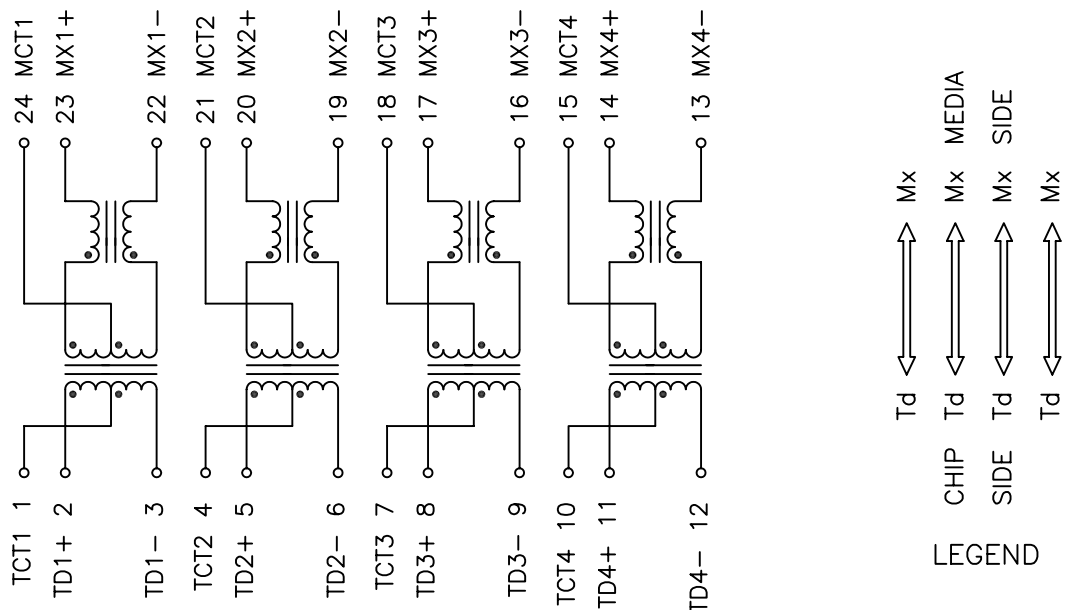
-43dB Min @30MHz / -37dB Min @60MHz / -33dB Min @100MHz

Mechanicals:



SUGGESTED PCB PAD LAYOUT

Schematics:



*Specification Subject to Change Without Notice

P/N: SQ-H40A	DIMENSIONS IN INCH	Unless otherwise specified Dim. Tolerances are: .xxx ±0.010	REV: B	DRWN:	DATE: 03-09-02
	SCALE: NONE		PAGE: 1/1	APPD:	DATE: