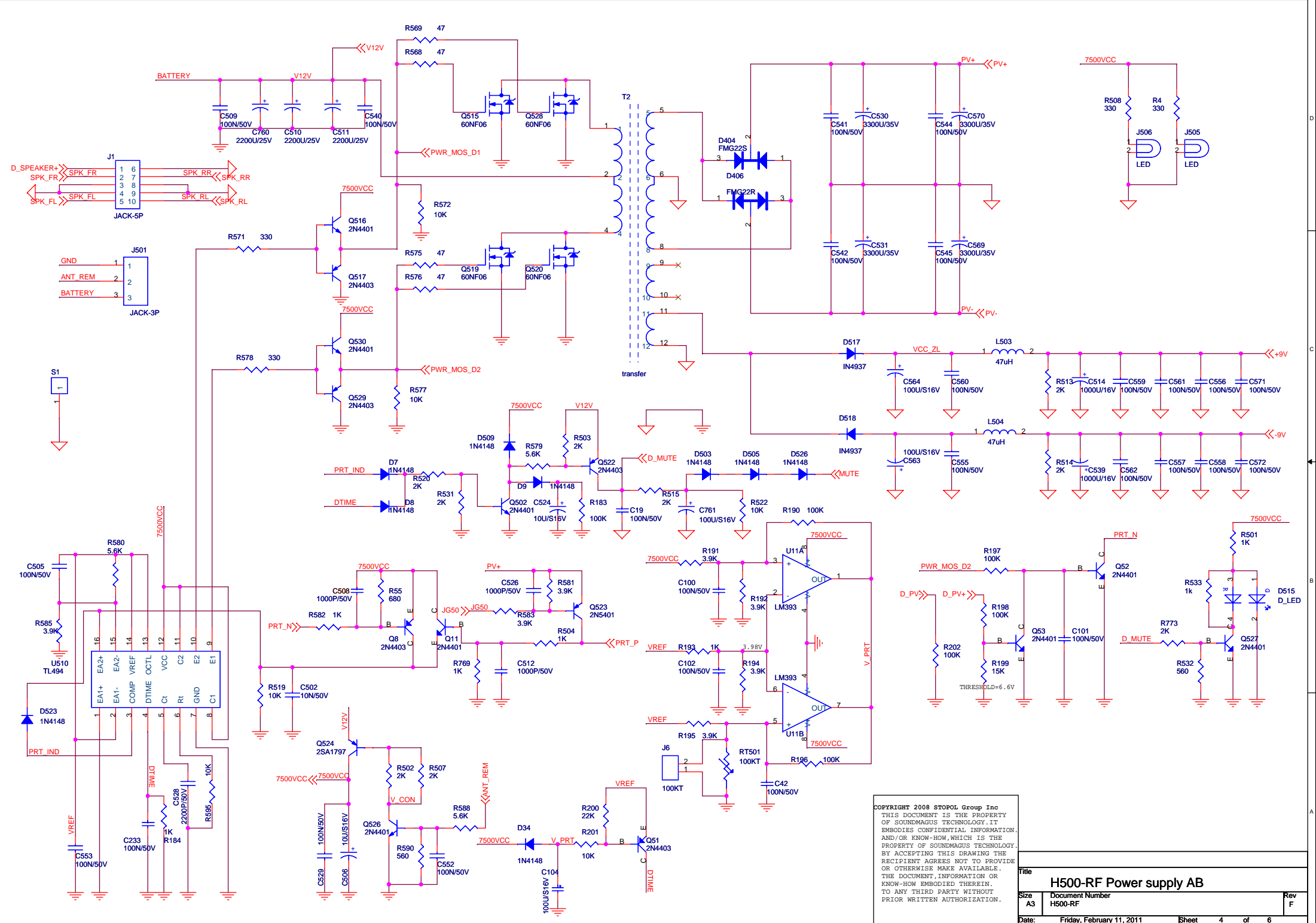


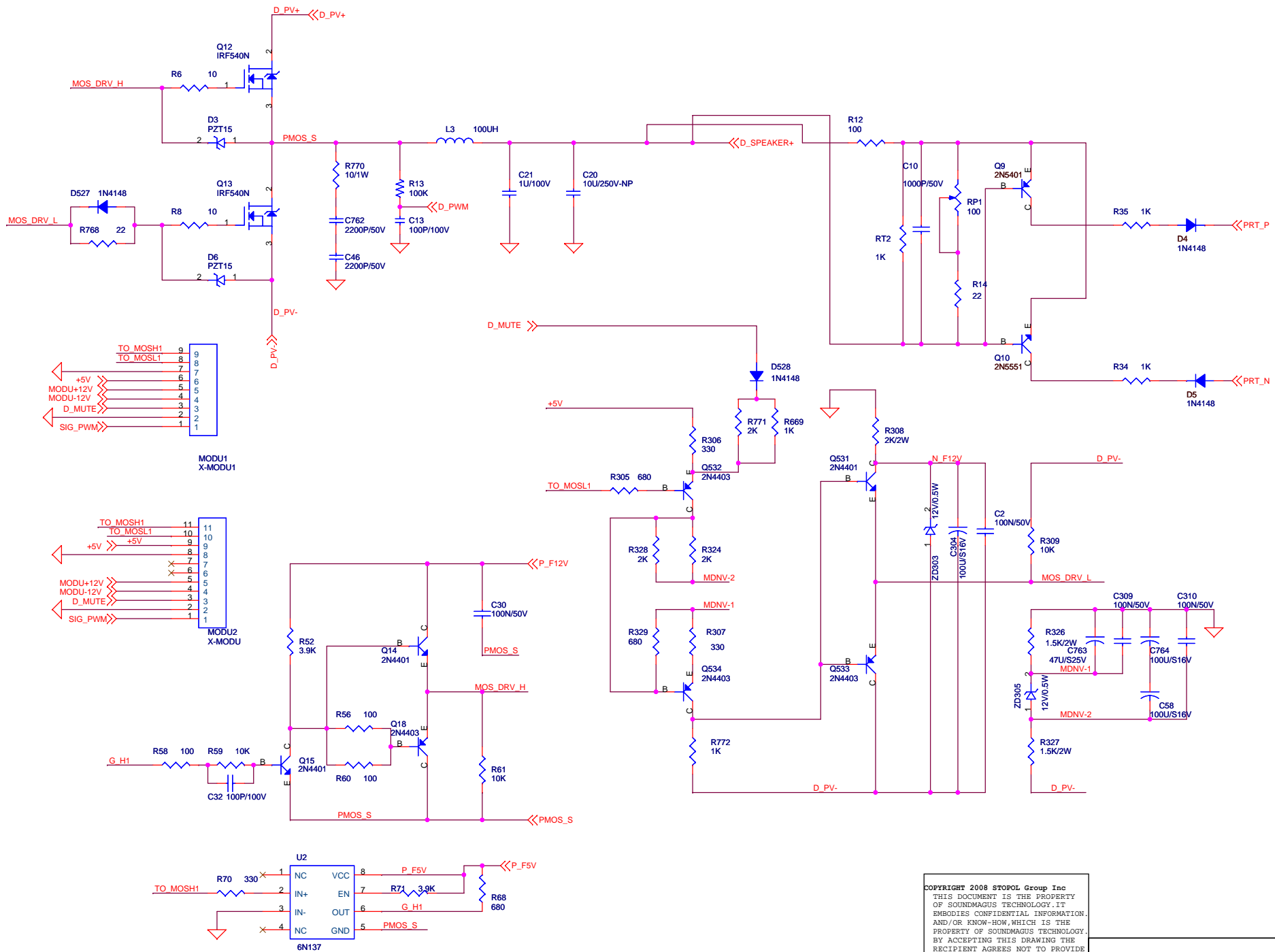
COPYRIGHT 2008 STOPOL Group Inc.
 THIS DOCUMENT IS THE PROPERTY
 OF SOUNDMAGUS TECHNOLOGY. IT
 EMBODIES CONFIDENTIAL INFORMATION,
 AND/OR KNOW-HOW, WHICH IS THE
 PROPERTY OF SOUNDMAGUS TECHNOLOGY.
 BY ACCEPTING THIS DRAWING THE
 RECIPIENT AGREES NOT TO PROVIDE
 OR OTHERWISE MAKE AVAILABLE
 THE DOCUMENT, INFORMATION OR
 KNOW-HOW EMBODIED THEREIN,
 TO ANY THIRD PARTY WITHOUT
 PRIOR WRITTEN AUTHORIZATION.

Title		H500-RF Rear power amp
Size	Document Number	Rev
A3	H500-RF	F
Date:	Friday, February 11, 2011	Sheet 6 of 6



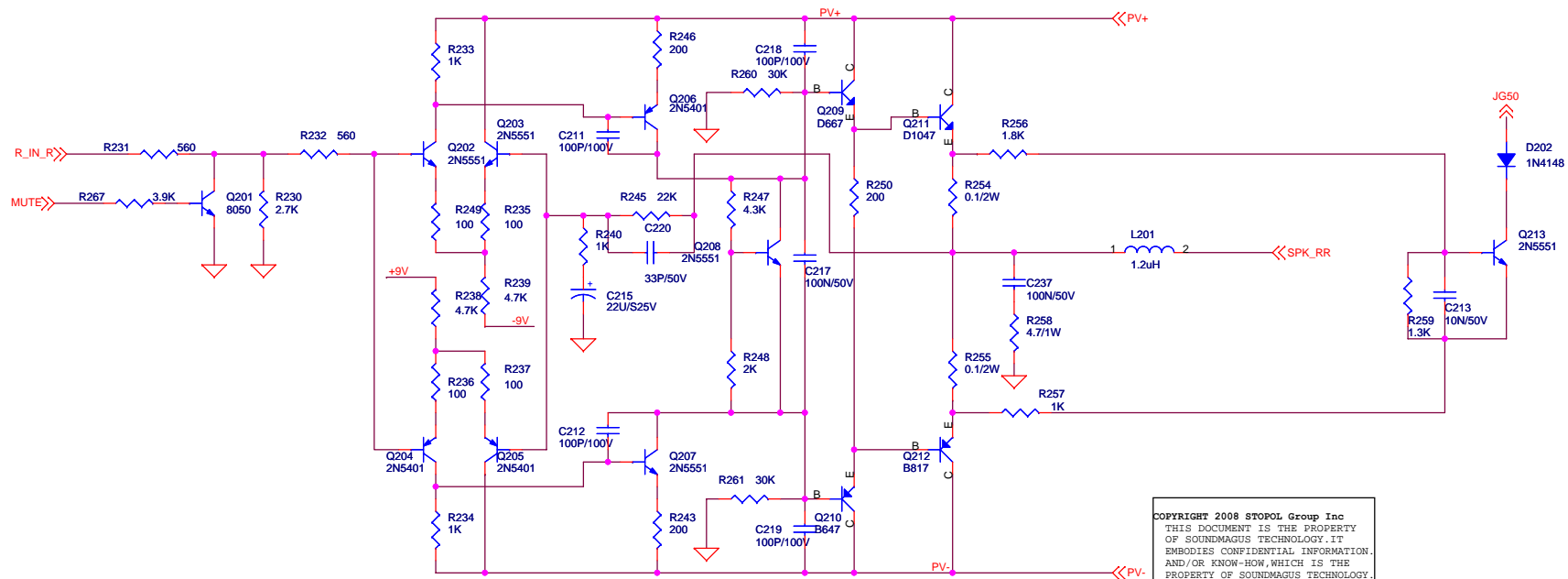
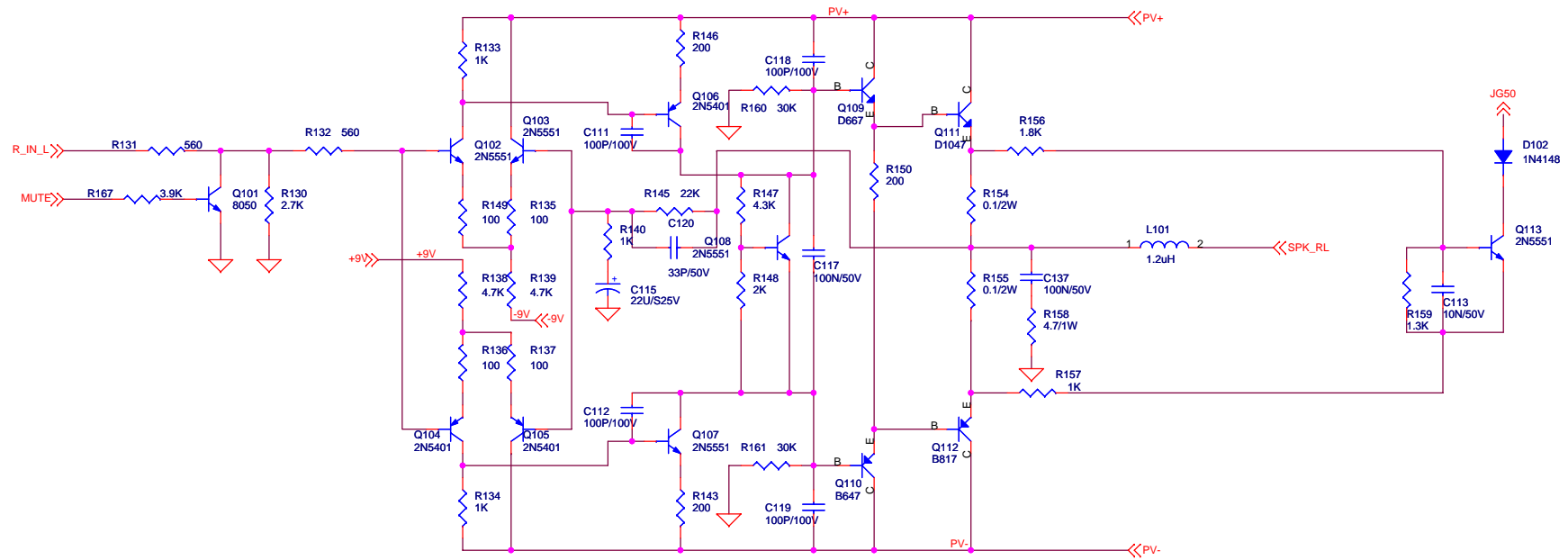
COPYRIGHT 2008 STOPOL Group Inc
 THIS DOCUMENT IS THE PROPERTY
 OF SOUNDMAGUS TECHNOLOGY. IT
 EMBODIES CONFIDENTIAL INFORMATION,
 AND/OR KNOW-HOW WHICH IS THE
 PROPERTY OF SOUNDMAGUS TECHNOLOGY.
 BY ACCEPTING THIS DRAWING THE
 RECIPIENT AGREES NOT TO PROVIDE
 OR OTHERWISE MAKE AVAILABLE
 THE DOCUMENT, INFORMATION OR
 KNOW-HOW EMBODIED THEREIN,
 TO ANY THIRD PARTY WITHOUT
 PRIOR WRITTEN AUTHORIZATION.

Title			H500-RF Power supply AB		
Size	A3	Document Number	H500-RF		
Date:	Friday, February 11, 2011	Sheet	4	of	6
					Rev F



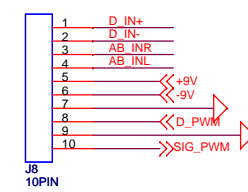
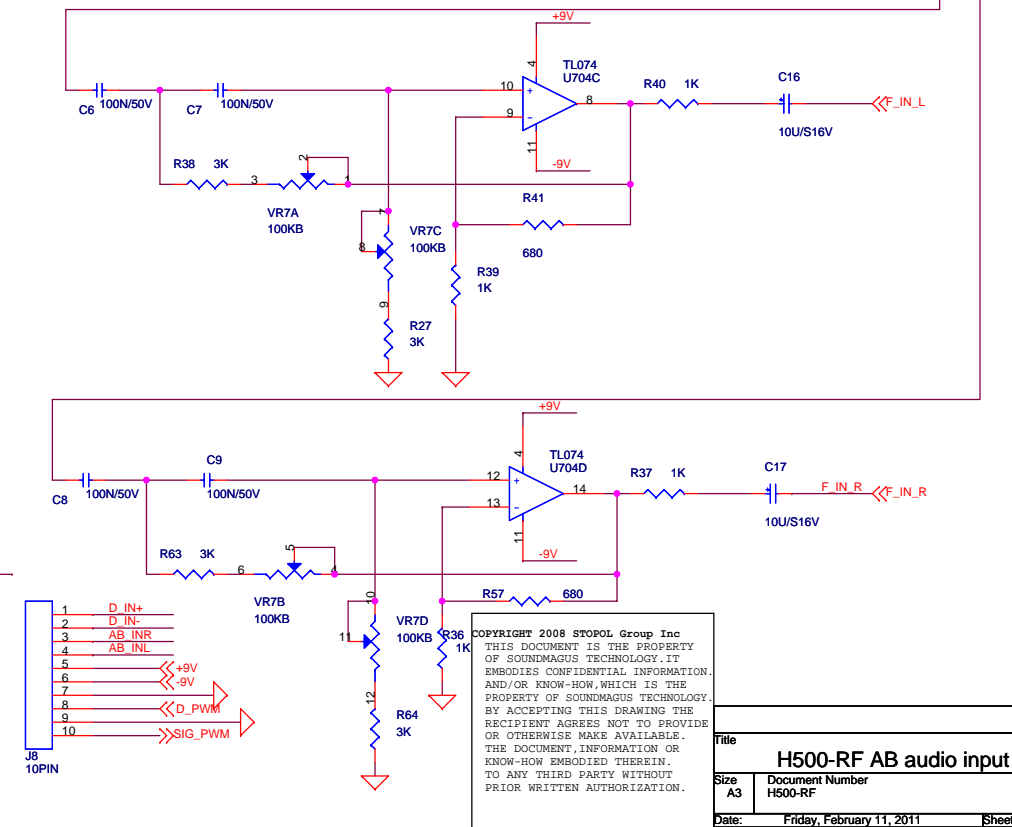
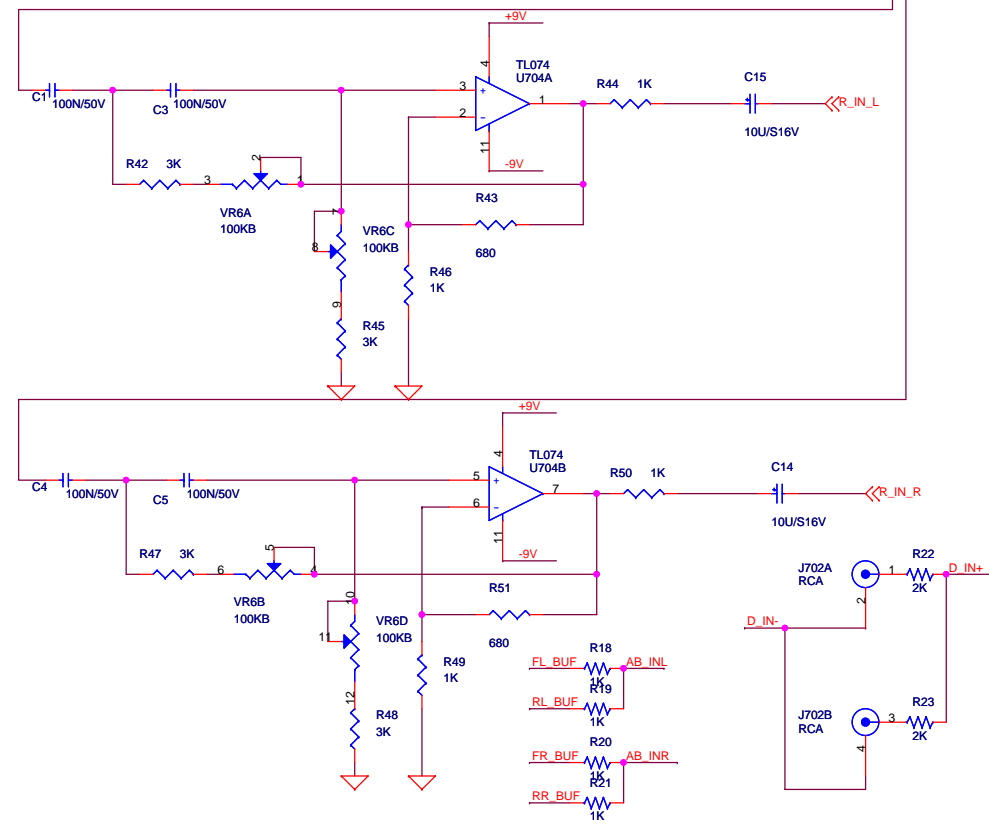
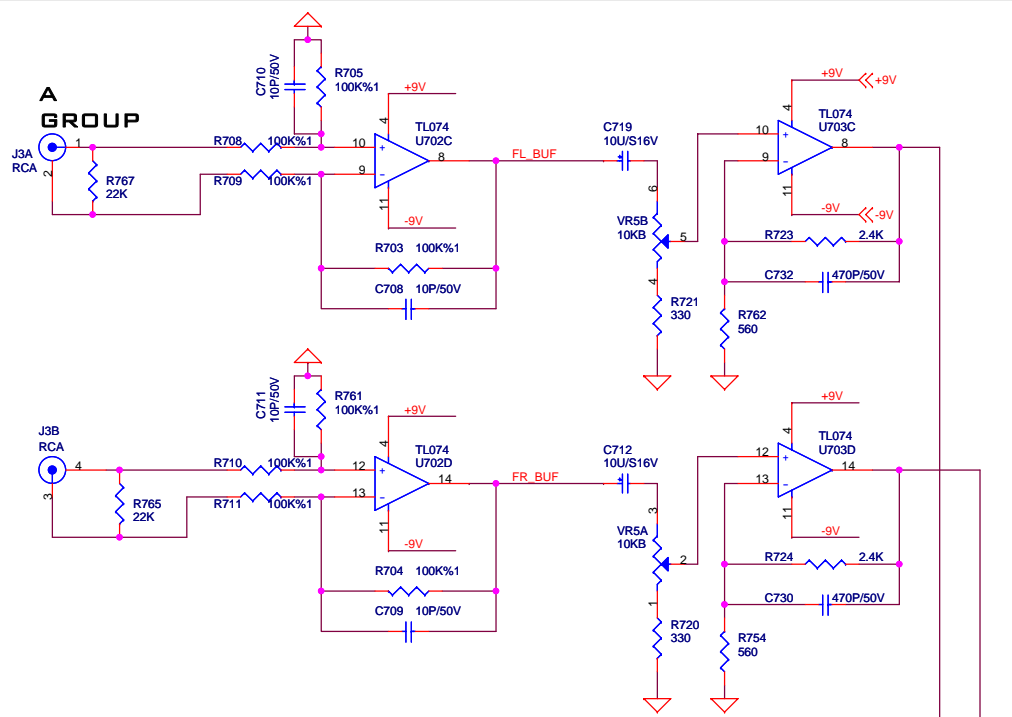
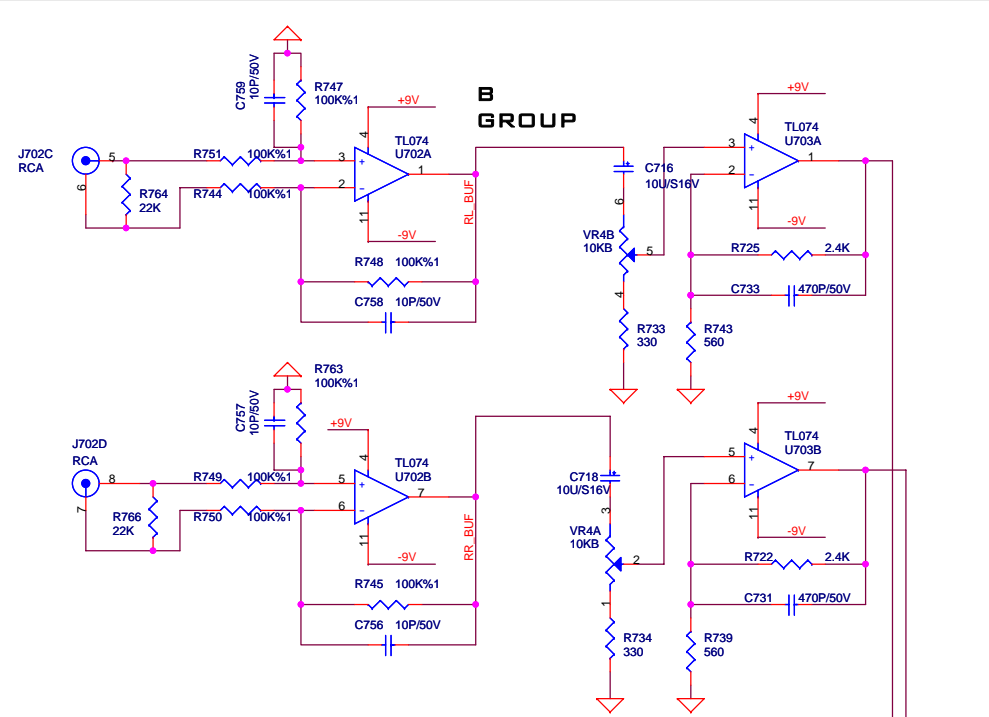
COPYRIGHT 2008 STOPOL Group Inc
 THIS DOCUMENT IS THE PROPERTY OF SOUNDMAGUS TECHNOLOGY. IT EMBODIES CONFIDENTIAL INFORMATION, AND/OR KNOW-HOW WHICH IS THE PROPERTY OF SOUNDMAGUS TECHNOLOGY. BY ACCEPTING THIS DRAWING THE RECIPIENT AGREES NOT TO PROVIDE OR OTHERWISE MAKE AVAILABLE THE DOCUMENT, INFORMATION OR KNOW-HOW EMBODIED THEREIN, TO ANY THIRD PARTY WITHOUT PRIOR WRITTEN AUTHORIZATION.

Title		H500-RF D amp	
Size	A3	Document Number	H500-RF
Date:	Friday, February 11, 2011	Sheet	2 of 6
Rev	F		



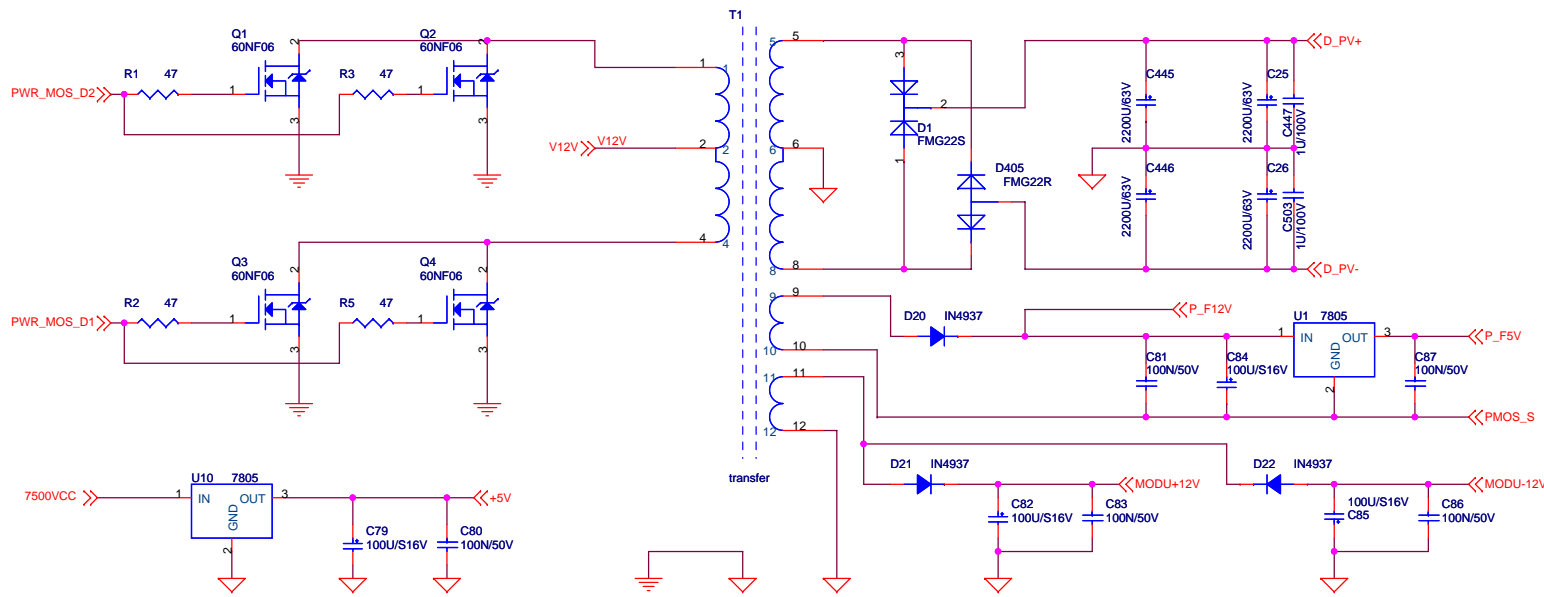
COPYRIGHT 2008 STOPOL Group Inc
 THIS DOCUMENT IS THE PROPERTY
 OF SOUNDMAGUS TECHNOLOGY. IT
 EMBODIES CONFIDENTIAL INFORMATION,
 AND/OR KNOW-HOW, WHICH IS THE
 PROPERTY OF SOUNDMAGUS TECHNOLOGY.
 BY ACCEPTING THIS DRAWING THE
 RECIPIENT AGREES NOT TO PROVIDE
 OR OTHERWISE MAKE AVAILABLE.
 THE DOCUMENT, INFORMATION OR
 KNOW-HOW EMBODIED THEREIN,
 TO ANY THIRD PARTY WITHOUT
 PRIOR WRITTEN AUTHORIZATION.

Title		
H500-RF Front power amp		
Size	Document Number	Rev
A3	H500-RF	F
Date:	Friday, February 11, 2011	Sheet 3 of 6



COPYRIGHT 2008 STOPOL Group Inc
 THIS DOCUMENT IS THE PROPERTY
 OF SOUNDMAGUS TECHNOLOGY. IT
 EMBODIES CONFIDENTIAL INFORMATION,
 AND/OR KNOW-HOW, WHICH IS THE
 PROPERTY OF SOUNDMAGUS TECHNOLOGY.
 BY ACCEPTING THIS DRAWING THE
 RECIPIENT AGREES NOT TO PROVIDE
 OR OTHERWISE MAKE AVAILABLE
 THE DOCUMENT, INFORMATION OR
 KNOW-HOW EMBODIED THEREIN,
 TO ANY THIRD PARTY WITHOUT
 PRIOR WRITTEN AUTHORIZATION.

Title		H500-RF AB audio input	
Size	A3	Document Number	H500-RF
Date:	Friday, February 11, 2011	Sheet	4 of 6
		Rev	F



COPYRIGHT 2008 STOPOL Group Inc
 THIS DOCUMENT IS THE PROPERTY
 OF SOUNDMAGUS TECHNOLOGY. IT
 EMBODIES CONFIDENTIAL INFORMATION.
 AND/OR KNOW-HOW WHICH IS THE
 PROPERTY OF SOUNDMAGUS TECHNOLOGY.
 BY ACCEPTING THIS DRAWING THE
 RECIPIENT AGREES NOT TO PROVIDE
 OR OTHERWISE MAKE AVAILABLE.
 THE DOCUMENT, INFORMATION OR
 KNOW-HOW EMBODIED THEREIN,
 TO ANY THIRD PARTY WITHOUT
 PRIOR WRITTEN AUTHORIZATION.

Title		
H500-RF POWER SUPPLY D		
Size	Document Number	Rev
A3	H500-RF	F
Date:	Friday, February 11, 2011	Sheet 5 of 6