

Audi A4

Current Flow Diagram

No. 51 / 1

Edition 10.2006

Radio

- Chorus
- Concert
- Symphony

from August 2004

Notes:

For information concerning

- Ⓔ Position of relays and fuses
- Ⓔ Multi-pin connections
- Ⓔ Control units and relays
- Ⓔ Earth connections

→ List of Fitting Locations!

For information concerning

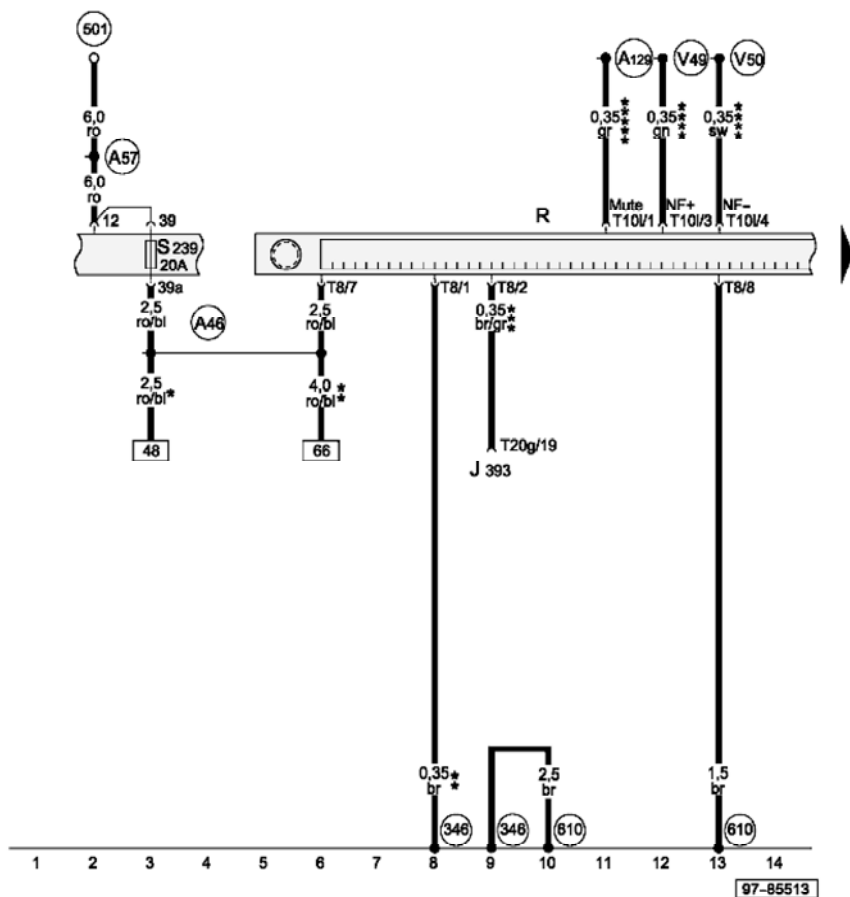
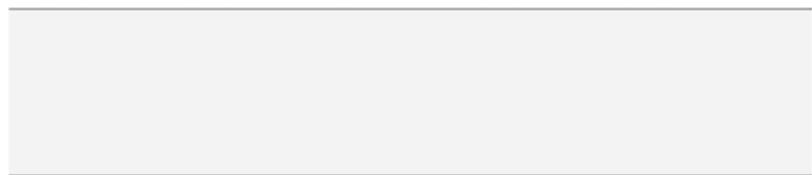
- Ⓔ Fault Finding Programs

→ guided fault finding

Audi A4

Current Flow Diagram

No. 51 / 2



Voltage supply

- J393 - Convenience system central control unit
- R - Radio
- S239 - Fuse in fuse holder
- T8 - 8-connector, black, radio connector III
- T10I - 10-pin connector, red, radio connector IV
- T20g - 20-pin connector, red, on convenience system central control unit (used to be connector 4)
- 346 - Earth connection (audio), in dash panel wiring harness
- 501 - Screw connection 2 (30), on relay plate
- 610 - Earth point (audio), front under centre console
- A46 - Positive connection (30 - from radio), in dash panel wiring harness
- A57 - Positive connection 3 (30), in dash panel wiring harness
- A129 - Connection (muting), in dash panel wiring harness
- V49 - Connection (NF+), in communication wiring harness
- V50 - Connection (NF-), in communication wiring harness
- * - For active loudspeaker only
- ** - For Bose loudspeaker only
- *** - For anti-theft alarm system only
- **** - for models with telephone / telematics or preparation for mobile telephone
- ***** - for models with telephone / telematics or preparation for mobile telephone, is dropped, from model year 2006

ws = white
 sw = black
 ro = red
 br = brown
 gn = green
 bl = blue
 gr = grey
 li = purple
 ge = yellow
 or = orange
 rs = pink

Audi A4

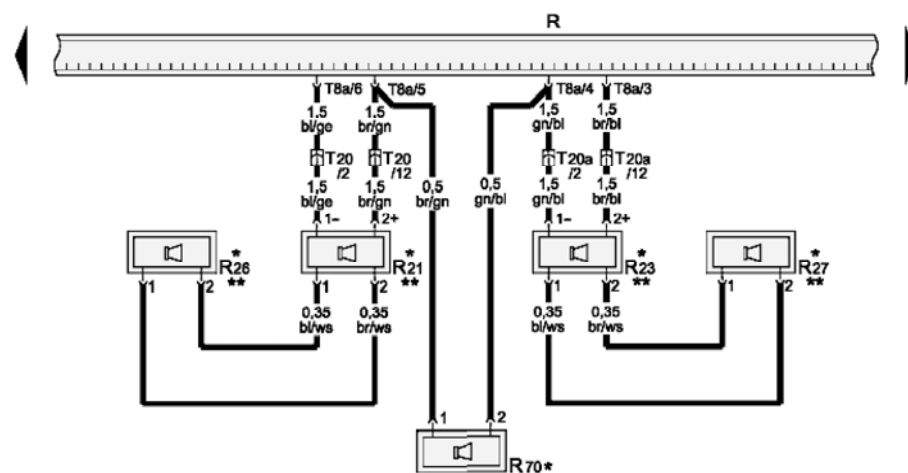
Current Flow Diagram

No. 51 / 3



Front loudspeaker

- R - Radio
- R21 - Front left bass loudspeaker
- R23 - Front right bass loudspeaker
- R26 - Front left mid-range and treble loudspeaker
- R27 - Front right mid-range and treble loudspeaker
- R70 - Internal loudspeaker (middle loudspeaker)
- T8a - 8-connector, brown, radio connector II
- T20 - 20-pin connector, black, door A-pillar left
- T20a - 20-pin connector, black, door A-pillar right
- * - for models with active loudspeaker only
- ** - for models with passive loudspeaker only



- ws = white
- sw = black
- ro = red
- br = brown
- gn = green
- bl = blue
- gr = grey
- li = purple
- ge = yellow
- or = orange
- rs = pink


Audi A4

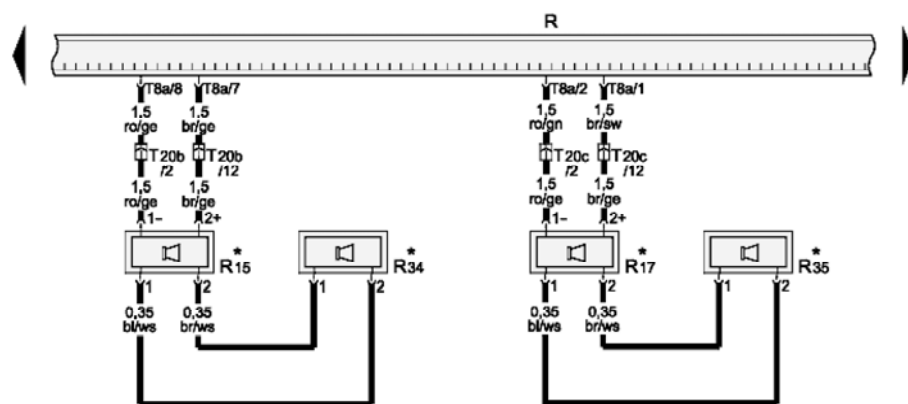
Current Flow Diagram

No. 51 / 4



Rear loudspeaker

- R - Radio 
- R15 - Rear left bass loudspeaker
- R17 - Rear right bass loudspeaker
- R34 - Rear left mid-range and treble loudspeaker
- R35 - Rear right mid-range and treble loudspeaker
- T8a - 8-connector, brown, radio connector II
- T20b - 20-pin connector, black, door B-pillar left
- T20c - 20-pin connector, black, door B-pillar right
- * - for models with passive loudspeaker only



- ws = white
- sw = black
- ro = red
- br = brown
- gn = green
- bl = blue
- gr = grey
- li = purple
- ge = yellow
- or = orange
- rs = pink

Audi A4

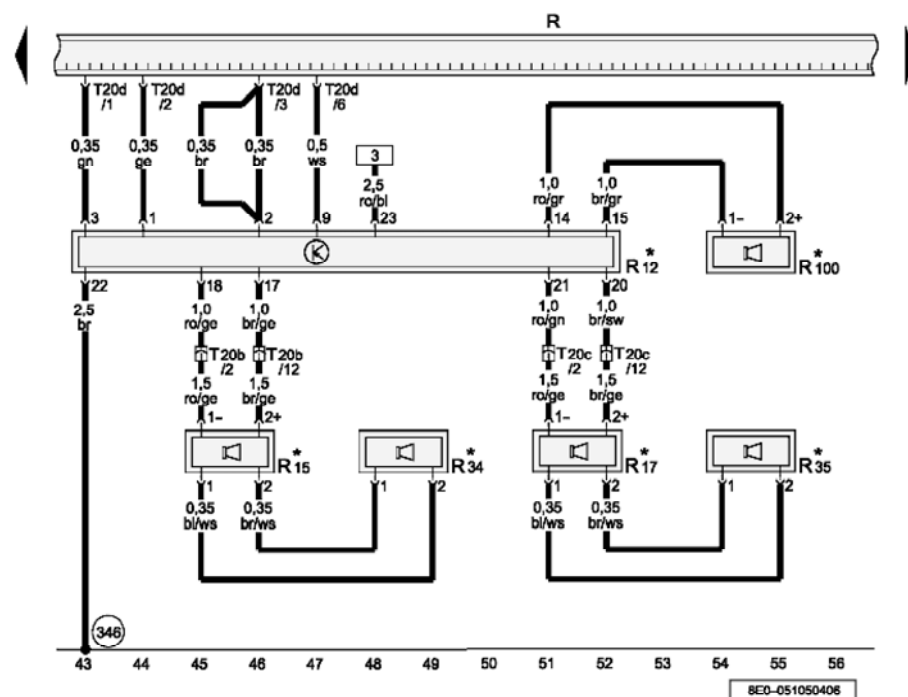
Current Flow Diagram

No. 51 / 5



Rear active loudspeaker

- R - Radio
- R12 - Amplifier
- R15 - Rear left bass loudspeaker
- R17 - Rear right bass loudspeaker
- R34 - Rear left mid-range and treble loudspeaker
- R35 - Rear right mid-range and treble loudspeaker
- R100 - Bass loudspeaker
- T20b - 20-pin connector, black, door B-pillar left
- T20c - 20-pin connector, black, door B-pillar right
- T20d - 20-pin connector, black, radio connector I
- 346 - Earth connection (audio), in dash panel wiring harness
- * - for models with active loudspeaker only

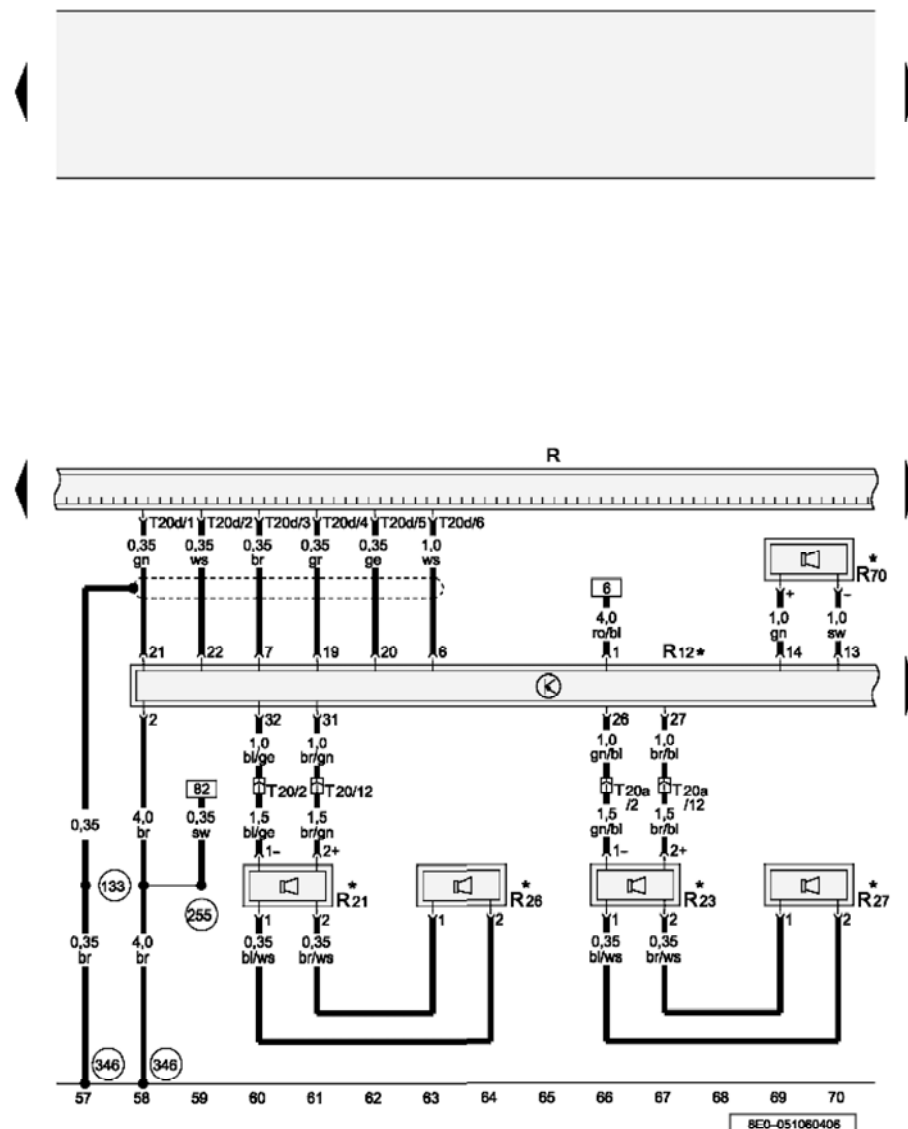


- ws = white
- sw = black
- ro = red
- br = brown
- gn = green
- bl = blue
- gr = grey
- li = purple
- ge = yellow
- or = orange
- rs = pink

Audi A4

Current Flow Diagram

No. 51 / 6



Front Bose loudspeaker

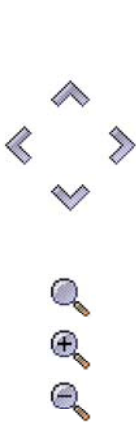
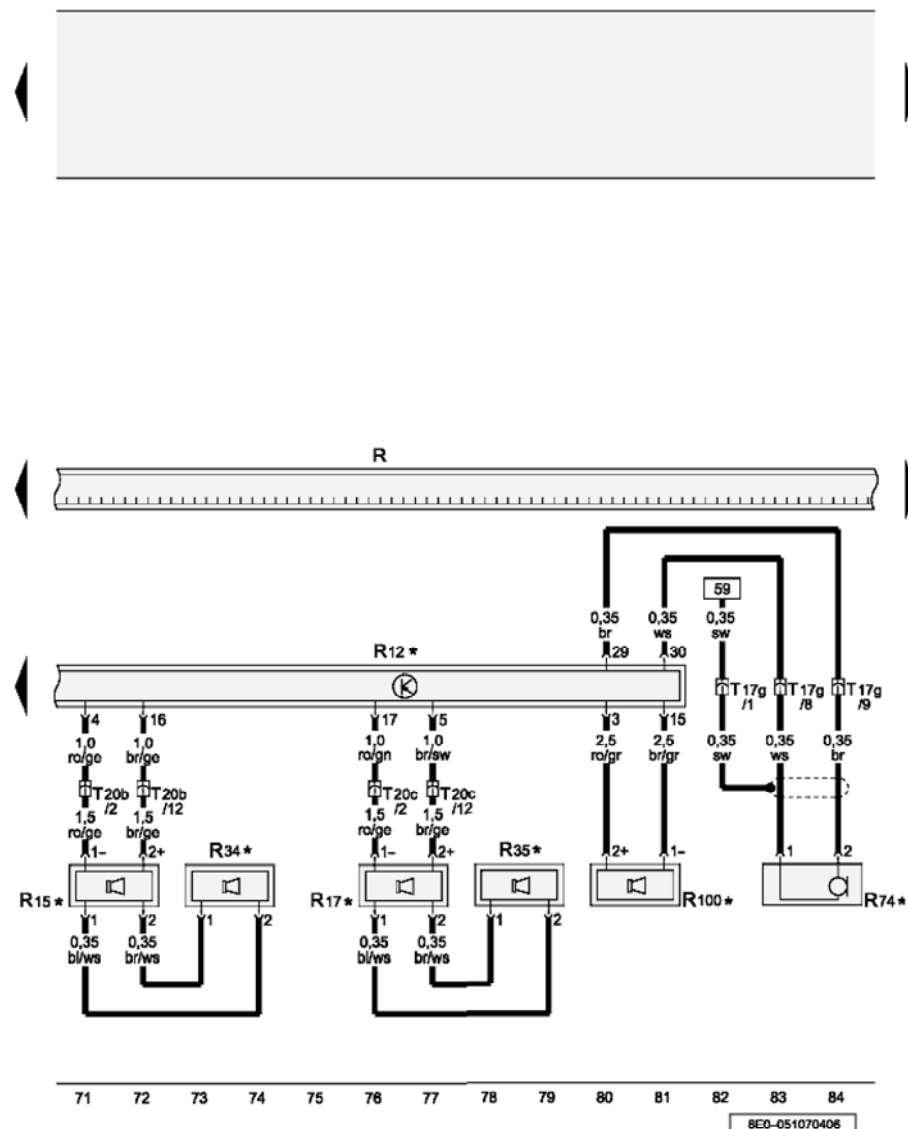
- R - Radio
- R12 - Amplifier
- R21 - Front left bass loudspeaker
- R23 - Front right bass loudspeaker
- R26 - Front left mid-range and treble loudspeaker
- R27 - Front right mid-range and treble loudspeaker
- R70 - Internal loudspeaker (middle loudspeaker)
- T20 - 20-pin connector, black, door A-pillar left
- T20a - 20-pin connector, black, door A-pillar right
- T20d - 20-pin connector, black, radio connector I
- 133 - Earth connection, in loudspeaker wiring harness
- 255 - Earth connection 1, in radio wiring harness
- 346 - Earth connection (audio), in dash panel wiring harness
- * - for models with Bose sound system only

- ws = white
- sw = black
- ro = red
- br = brown
- gn = green
- bl = blue
- gr = grey
- li = purple
- ge = yellow
- or = orange
- rs = pink

Audi A4

Current Flow Diagram

No. 51 / 7



Rear Bose loudspeaker, internal microphone

- R - Radio
- R12 - Amplifier
- R15 - Rear left bass loudspeaker
- R17 - Rear right bass loudspeaker
- R34 - Rear left mid-range and treble loudspeaker
- R35 - Rear right mid-range and treble loudspeaker
- R74 - Internal microphone
- R100 - Bass loudspeaker
- T17g - 17-pin connector, dark brown, coupling station on left of A-pillar
- T20b - 20-pin connector, black, door B-pillar left
- T20c - 20-pin connector, black, door B-pillar right
- * - for models with Bose sound system only

- ws = white
- sw = black
- ro = red
- br = brown
- gn = green
- bl = blue
- gr = grey
- li = purple
- ge = yellow
- or = orange
- rs = pink

Audi A4

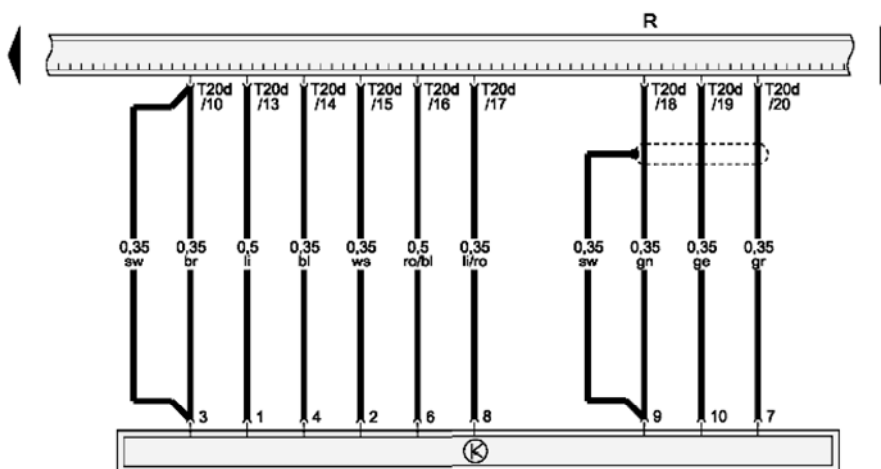
Current Flow Diagram

No. 51 / 8



CD changer, iPod holder, USB connection retainer

- R - Radio
- R41 - CD changer
- R192 - iPod holder
- R193 - USB connection retainer
- T20d - 20-pin connector, black, radio connector I
- ** - only for models with CD changer or iPod holder or USB connection retainer



R41 **
R192 **
R193 **

- ws = white
- sw = black
- ro = red
- br = brown
- gn = green
- bl = blue
- gr = grey
- li = purple
- ge = yellow
- or = orange
- rs = pink

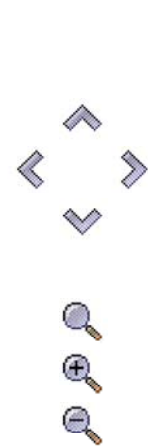
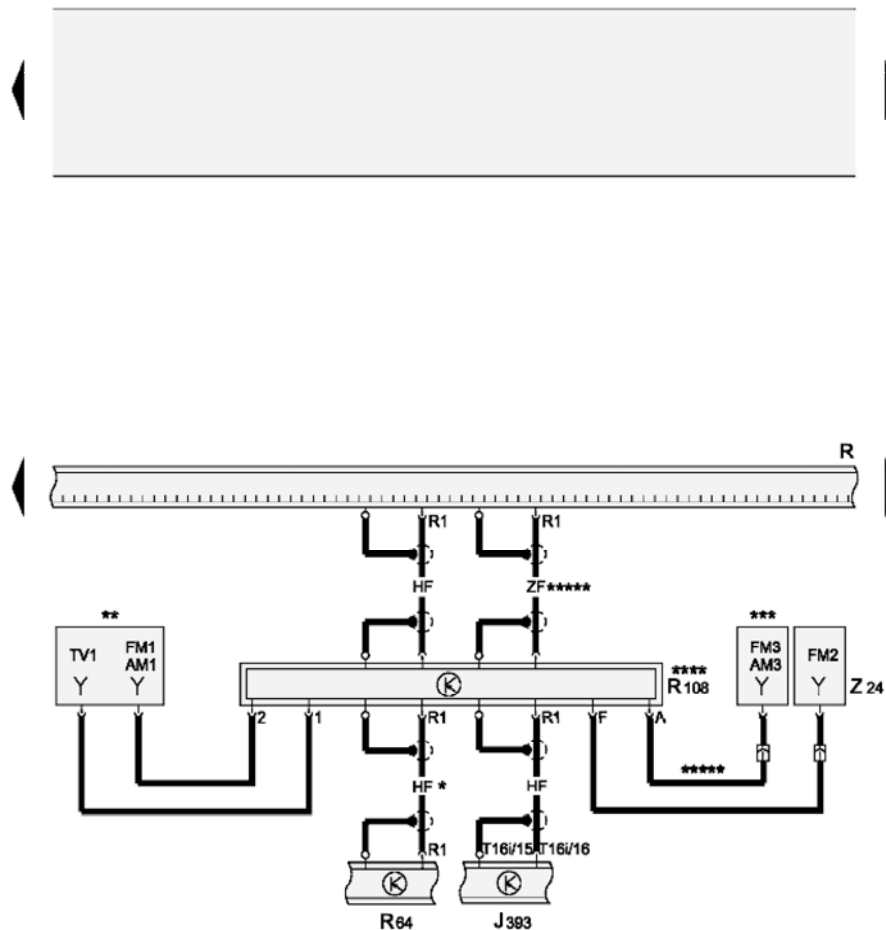
85 86 87 88 89 90 91 92 93 94 95 96 97 98

8E0-051081006

Audi A4

Current Flow Diagram

No. 51 / 9



Aerial Avant models

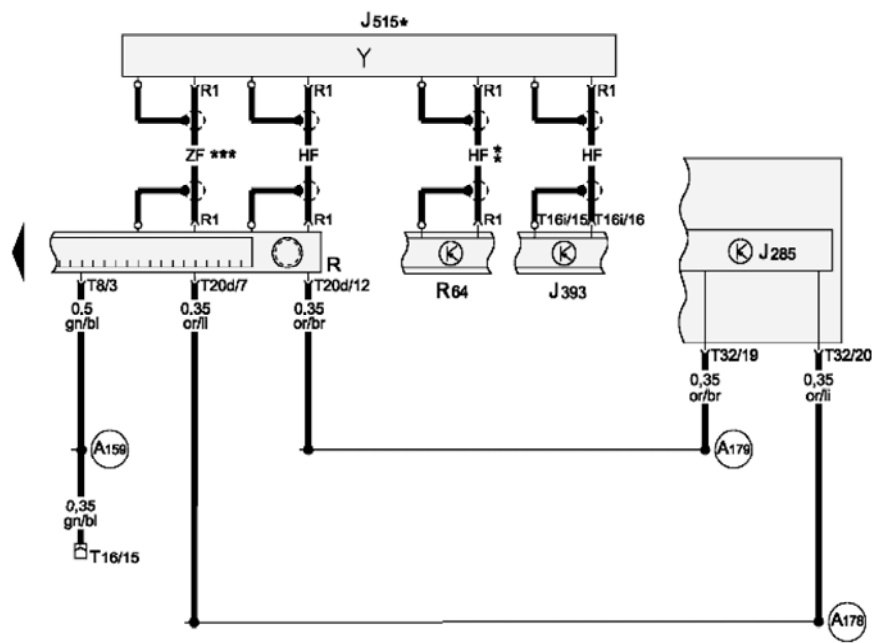
- J393 - Convenience system central control unit
- R - Radio
- R1 - Aerial connection
- R64 - Remote control receiver for auxiliary heating
- R108 - Aerial module, left
- T16i - 16-pin connector, brown, on convenience system central control unit (used to be connector 5)
- Z24 - Heated rear window with window aerial
- * - for models with auxiliary heating only
- ** - Rear left side window
- *** - Rear right side window
- **** - Aerial for Avant models
- ***** - wire could dropped for radio chorus

- ws = white
- sw = black
- ro = red
- br = brown
- gn = green
- bl = blue
- gr = grey
- li = purple
- ge = yellow
- or = orange
- rs = pink

Audi A4

Current Flow Diagram

No. 51 / 10



Aerial saloon models, diagnostic connector, CAN bus

- J285 - Control unit with display in dash panel insert
- J393 - Convenience system central control unit
- J515 - Aerial selection control unit
- R - Radio
- R1 - Aerial connection
- R64 - Remote control receiver for auxiliary heating
- T8 - 8-connector, black, radio connector III
- T16 - 16-pin connector, black, diagnostic connector
- T16i - 16-pin connector, brown, on convenience system central control unit (used to be connector 5)
- T20d - 20-pin connector, black, radio connector I
- T32 - 32-pin connector, blue, on dash panel insert
- A159 - Connection (L), in dash panel wiring harness
- A178 - Connection (infotainment CAN bus, high), in dash panel wiring harness
- A179 - Connection (infotainment CAN bus, low), in dash panel wiring harness
- * - Aerial for saloon models
- ** - for models with auxiliary heating only
- *** - wire could dropped for radio chorus

ws = white
 sw = black
 ro = red
 br = brown
 gn = green
 bl = blue
 gr = grey
 li = purple
 ge = yellow
 or = orange
 rs = pink

113 114 115 116 117 118 119 120 121 122 123 124 125 126

97-85516